



A Fluke Company

RF400

Cloud-Connected
Data Logging



Diligence **WiFi** 

Quick Start Guide

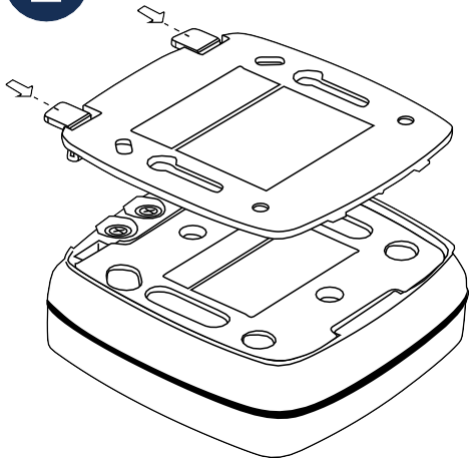
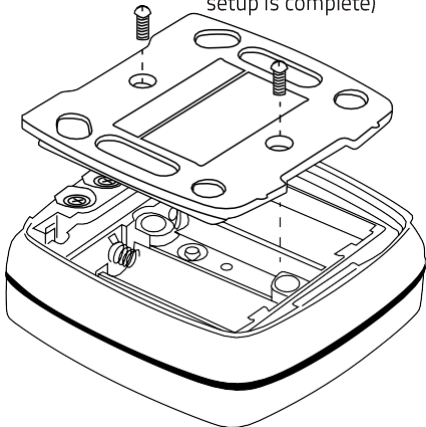
1 Welcome!

Setting up your RF400 Logger

Before you connect your RF400 data logger, you will need to complete the following steps.

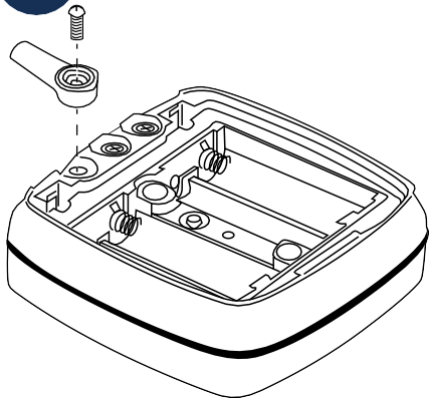
- Set up an account on www.comarkinstruments.net/software/#Cloud so that you can view your devices remotely.
- Download the Comark Cloud App on your phone or tablet
- Have your WiFi network details to hand



2**Remove mounting bracket****3****Remove battery cover****(Do not refit this until setup is complete)**

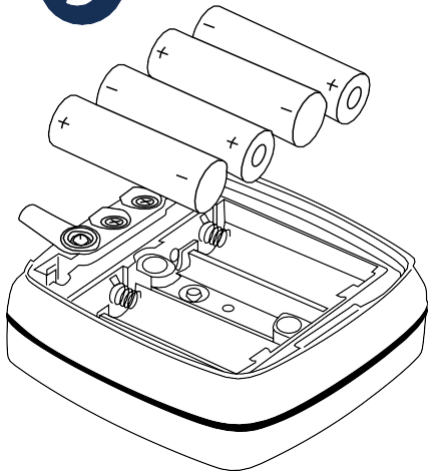
4

Connect probe/s



5

Install AA batteries



6

In the Comark Cloud App, go to the menu, select Set Up Device and follow the on-screen instructions

7

Once the RF400 data logger is connected to your WiFi network replace the battery cover and install the RF400 data logger where it is to be used.

View and change device settings using the App or through your Comark Cloud Account



Now you are set-up and ready to monitor!

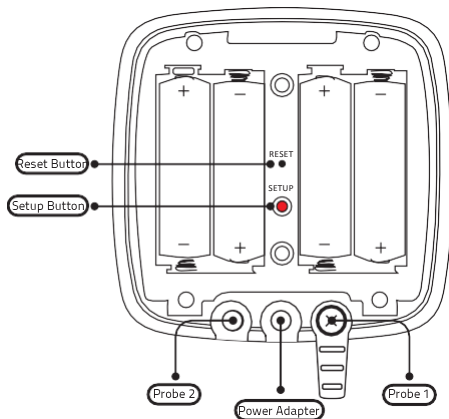
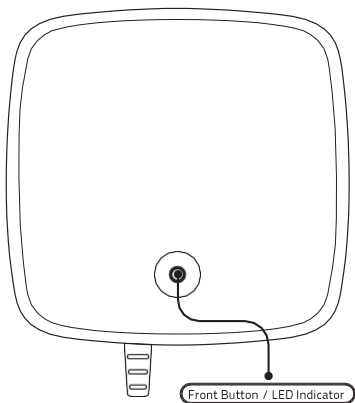


Device Indication Overview

Visit **Comark Cloud**

<https://comark.wifisensorcloud.com/>
and click Support for a detailed visual and sound state indication

State	Front Button LED	Sounder
Device OK	1 Flash / 5 Sec	No Sounder
 Fault	1 Flash / 5 Sec	Single tone ring every 30 minutes
 Alarm	1 Flash / 5 Sec	Continuous two tone ring



Important safety information

WARNING: Failure to follow these safety instructions could result in fire, electrical shock, other injury or damage.

Repairing or modifying

Never attempt to repair or modify this product. Dismantling may cause damage that is not covered under the warranty. Servicing should only be provided by an approved supplier. If the product has been punctured or seriously damaged, do not use it and return it to an approved supplier.

Using connectors and ports

Never force a connector into a port. Check for obstruction in the port; make sure that the connector matches the port and that you have positioned the connector correctly in relation to the port. If the connector and port do not join with reasonable ease, they probably do not match and should not be used.

Power Supply

Only use 1.5V AA batteries or a genuine RF420 power adapter to power your RF400 data logger.

Disposal and recycling

You must dispose of this product and batteries according to relevant laws and regulations. This product contains electronic components and therefore must be disposed of separately from household waste.

Caution

Risk of explosion if battery is replaced by an incorrect type. Dispose of used batteries according to the instructions.

To access Declaration of Conformity information for RF400 products view:
www.comarkinstruments.com/documents

Sales and Technical Support

You can view FAQs, Help Guides and other support resources at www.comarkinstruments.com

Comark Instruments

52 Hurricane Way
Norwich, Norfolk, NR6 6JB United Kingdom
Tel: +44 (0) 207 942 0712
Email: sales@comarkinstruments.com



Comark Instruments

P.O. Box 500
Beaverton, OR97077, USA
Toll Free: (800) 555 6658
Email: sales@comarkusa.com

