



**COMET SYSTEM, s.r.o.**

1.maje 1220

756 61 Roznov pod Radhostem

CZECH REPUBLIC

Tel.: +420 571 653 990

E-mail: [info@cometsystem.com](mailto:info@cometsystem.com)

## Remote temperature sensor with 4-20mA output



code: P0120

Remote temperature transmitter. Outdoor, indoor use.

Built-in temperature sensor.

Included in delivery:

- Traceable calibration certificate
- Quick start manual

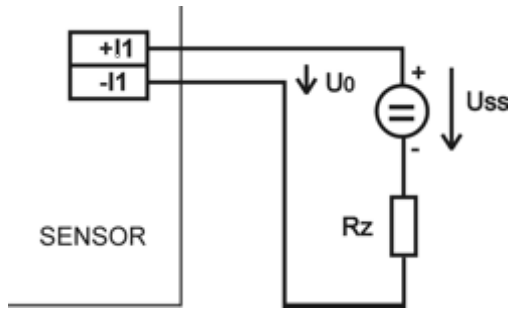
### Features

Temperature transmitter contains a microprocessor based control circuitry in a durable plastic case with connection terminals. Built-in precise temperature sensor. Computerized design ensures long term stability and fail indication.

### APPLICATIONS - measuring and control of temperature at:

- building HVAC management
- building HVAC automation
- warehouses
- glasshouses
- manufacturers
- museums, archives, galleries
- air-conditioned rooms
- weather stations

Output is adjusted to -30 to +80°C temperature range from the manufacturer.



### Typical application wiring

Calculation of minimum power voltage Uss for proper operation:

$U_{ss \text{ min}} > U_{o \text{ min}} + I_{\text{max}} * R_z$ ,

where:  $U_{o \text{ min}} = 9 \text{ V}$

$I_{\text{max}}$ ... approximately 20 mA

$R_z$ ... sensing resistor (shunt)

### Technical Data

Technical parameters	Value
Output	4-20mA
Measured Value	Temperature
Construction Type	Ambient Air
Design	Industrial
Temperature Measuring Range	-30 to 80 °C
Relay Output	No
Two-State Input	No
Lcd Display	No
PoE	No
Accuracy of temperature output	±0.4°C
Temperature range of 4-20mA output	-30 to +80°C
Temperature operating range	-30 to +80°C
Current output - two-wire connection	4-20mA
Break of sensor	>24mA
Short circuit of sensor	<3.5mA
IP protection	IP65
Power	9-30Vdc, typically 24V
Dimensions	88.5 x 148 x 39.5 mm (W x H x D)
Weight	approximately 120g
Warranty	3 years