

CO<sub>2</sub> concentration, temperature, humidity  
and other calculated humidity variables regulator

with RS232 serial output

H5321

H5324

H6320

H6321

**Instruction Manual**

# Table of content

<b>1. GENERAL DESCRIPTION</b> .....	<b>4</b>
<b>2. REGULATOR MOUNTING AND CONNECTION</b> .....	<b>4</b>
<b>3. DIMENSIONS</b> .....	<b>5</b>
<b>4. TYPICAL APPLICATION WIRING, CONNECTION OF TERMINALS</b> .....	<b>7</b>
<b>5. DESCRIPTION OF DEVICE FUNCTION AND SETTING</b> .....	<b>8</b>
5.1. DEVICE SETTING FROM THE MANUFACTURER .....	8
5.2. RELAY OUTPUTS .....	8
5.3. CARBON DIOXIDE CONCENTRATION MEASUREMENT.....	8
5.4. ACTUAL REGULATOR PRESET .....	9
5.4.1. <i>Value assigned to output relay</i> .....	9
5.4.2. <i>When close output relay</i> .....	10
5.5. REGULATOR SETTING CHANGE .....	11
5.5.1. <i>Setting with PC and TSensor software</i> .....	11
5.5.2. <i>Setting with using regulator keys</i> .....	11
5.5.3. <i>Setting with using of Modbus communication protocol</i> .....	11
5.6. EXTENDED SETTING MODE.....	12
5.7. RESTORE TO „FACTORY DEFAULT“ .....	16
<b>6. DESCRIPTION OF COMMUNICATION PROTOCOLS</b> .....	<b>16</b>
6.1. MODBUS RTU.....	17
6.1.1. <i>Supported functions</i> .....	17
6.1.2. <i>Jumper</i> .....	17
6.1.3. <i>Modbus registers of the regulator</i> .....	17
6.1.4. <i>Far controlling of output relays status</i> .....	18
6.1.5. <i>Output relay alarm condition configuration with using of Modbus communication protocol</i> <sup>2</sup> .....	18
6.2. PROTOCOL COMPATIBLE WITH ADVANTECH-ADAM STANDARD .....	20
6.2.1. <i>Jumper</i> .....	20
<b>7. ERROR STATES OF THE DEVICE</b> .....	<b>21</b>
<b>8. READINGS ON CD DISPLAY</b> .....	<b>22</b>
<b>9. PREVENTIVE MAINTENANCE AND CALIBRATION</b> .....	<b>22</b>
<b>10. TECHNICAL SPECIFICATION</b> .....	<b>23</b>
10.1. TECHNICAL PARAMETERS .....	23
10.1.1. <i>Common parameters</i> .....	23
10.1.2. <i>H5321 - CO<sub>2</sub> regulator</i> .....	23
10.1.3. <i>H5324 - CO<sub>2</sub> regulator</i> .....	23
10.1.4. <i>H6320 - temperature, relative humidity and CO<sub>2</sub> regulator</i> .....	24
10.1.5. <i>H6321 - temperature, relative humidity and CO<sub>2</sub> regulator</i> .....	24
10.1.6. <i>Value computed from measured relative humidity and temperature</i> .....	25
10.1.7. <i>Relative humidity and temperature restriction</i> .....	26
10.2. OPERATING CONDITIONS .....	26
10.3. END OF OPERATION.....	27
10.4. TECHNICAL SUPPORT AND SERVICE.....	28
<b>11. APPENDIX A</b> .....	<b>28</b>
<b>12. APPENDIX B</b> .....	<b>28</b>

## General safety rules

The following summary is designed to prevent injury hazards or device damage. Operate the instrument in accordance with this manual to prevent electric trauma.

**Service should be performed by a qualified person only.**

**Connect and disconnect correctly.** Do not connect and disconnect a lead-in cables if the device is under electric voltage.

**Do not use the instrument without the cover.**

**Do not use the instrument, if it does not work correctly.** If the instrument seems not to work correctly, have it checked by a qualified service person.

**Do not use the instrument in an explosive environment.**

**Read instruction manual before the first device connection, please.**

**Models marked HxxxxZ** are non-standard versions of the devices. Description is not included in this manual.

**Copyright:** COMET System, Ltd. It is prohibited to copy and edit this instruction manual and make any changes at all without explicit agreement of COMET System, Ltd. All rights reserved.

COMET System, Ltd makes constant development and improvement of all its products. That is why it reserves the right to make any technical changes on the device/product without previous notice.

# 1. General description

The regulators are designed for online measurement of temperature (°C or °F), relative humidity and carbon dioxide concentration of air without aggressive ingredients. Measured temperature and relative humidity are recomputed to following humidity expression: dew point temperature, absolute humidity, specific humidity, mixing ratio and specific enthalpy.

The regulators are designed to be operated in a chemically non-aggressive environment.

Type	Temperature	Humidity	CO <sub>2</sub>	Computed value
H5321	-	-	✓	-
H5324	-	-	✓	-
H6320	✓	✓	✓	✓
H6321	✓	✓	✓	✓

The device is equipped with two relay outputs for alarming or controlling of external devices. It is possible to assign any input value to each relay, to set comparing limit, delay, hysteresis, acoustic alarm or change its status by far control with using of Modbus communication protocol. The device communicates via link RS232.

Supported communication protocols are Modbus RTU and protocol compatible with standard Advantech-ADAM. Devices are preset from manufacturer to Modbus RTU communication protocol. If you would like to use different communication protocol then Modbus RTU, it is necessary preset them – see latter. Measured and computed values are displayed on dual line LCD. It is also possible to display both readings with cyclic overwriting in 4 seconds interval. Display can be also switched OFF totally. On the left LCD side there are placed three LEDs for CO<sub>2</sub> zone level indication.

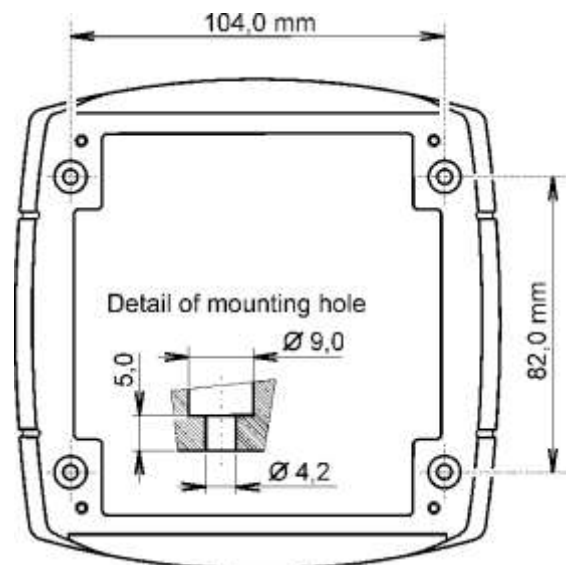
# 2. Regulator mounting and connection

Regulators are designed for wall mounting. Device must be mounted on the plane surface to prevent its deformation. Mounting holes and connection terminals are accessible after demounting of four screws in the corners of the box and removing the lid. There is recommended to use screws with half round head with cross-recessed screw ST 3.9 (DIN 7981). External probe for measuring the concentration of CO<sub>2</sub> unpack and connect to the device.

Devices are supplied with cable (1.5 m) equipped with CANNON 9 connector for connection to RS232 interface.

Lace the lead-in cables with outer diameter of 3 to 6.5 mm through the glands at the case wall and connect them according schematic below. Terminals are self-clamping and can be opened by a suitable screwdriver. For the opening, insert the screwdriver to smaller terminal hole and lever by him. Do not forget to tighten glands and case lid with inserted packing after cables connecting. Insert attached plug into unused cable glands too. Do not connect the regulator under voltage.

It is not recommended to use the device H6320 and external RH+T probe of H6321 regulator for long time under condensation



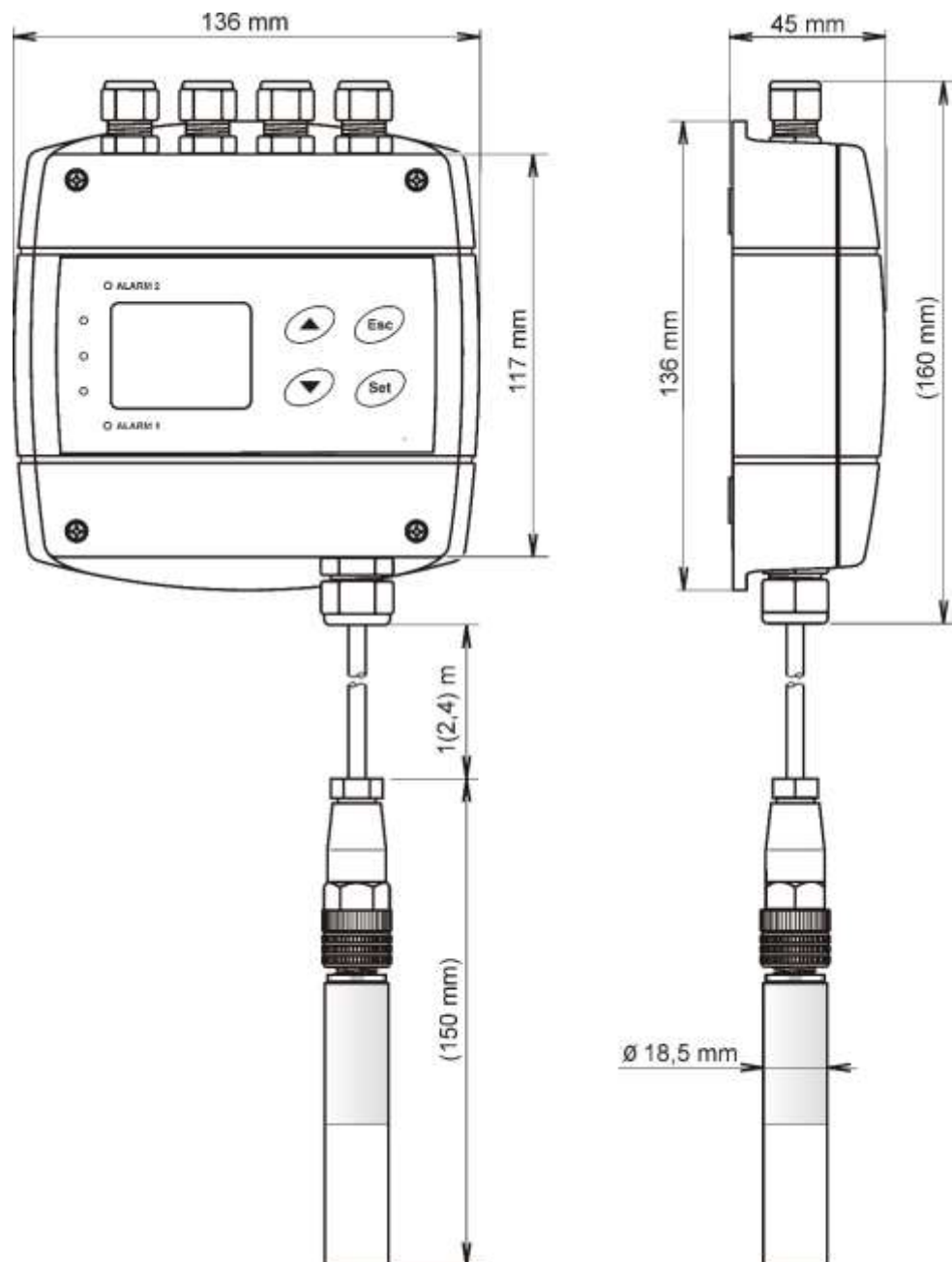
conditions. It could be the cause of water steam condensation inside the sensor's cover into water phase. This liquid phase stays inside sensor's cover and can't escape from the cover easily. It can dramatically increase response time to relative humidity change. If water condensation occurs for longer time it can cause sensor damage. Similar effect can occur under water aerosol conditions.

The communication cable must be placed as far as possible from potential interference sources.

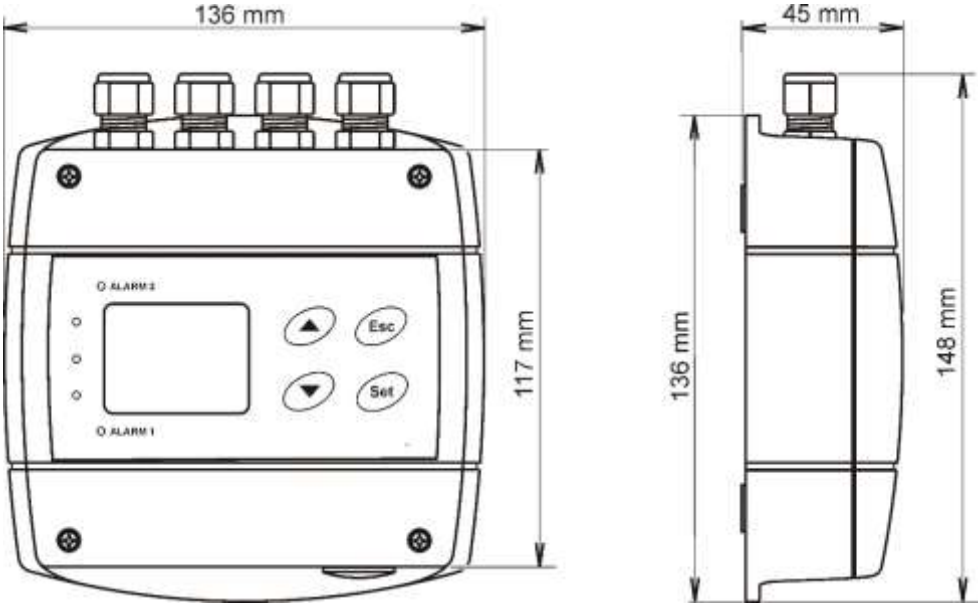
Electrical system (wiring) may do only worker with required qualification by rules in operation.

### 3. Dimensions

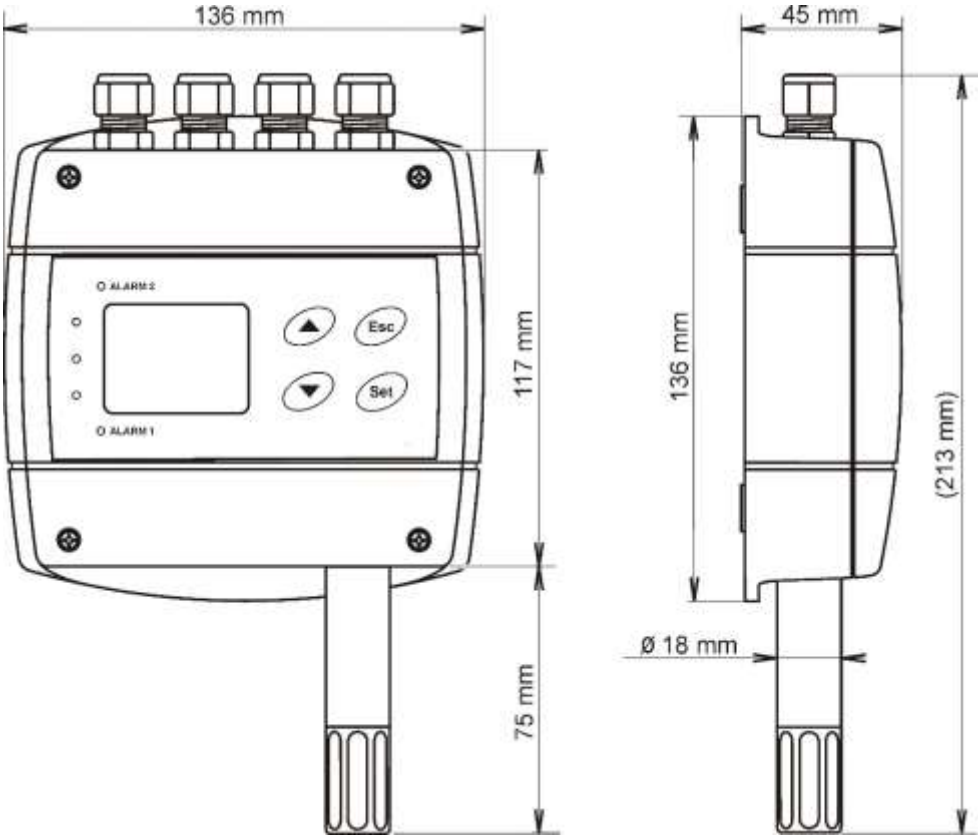
#### H5321



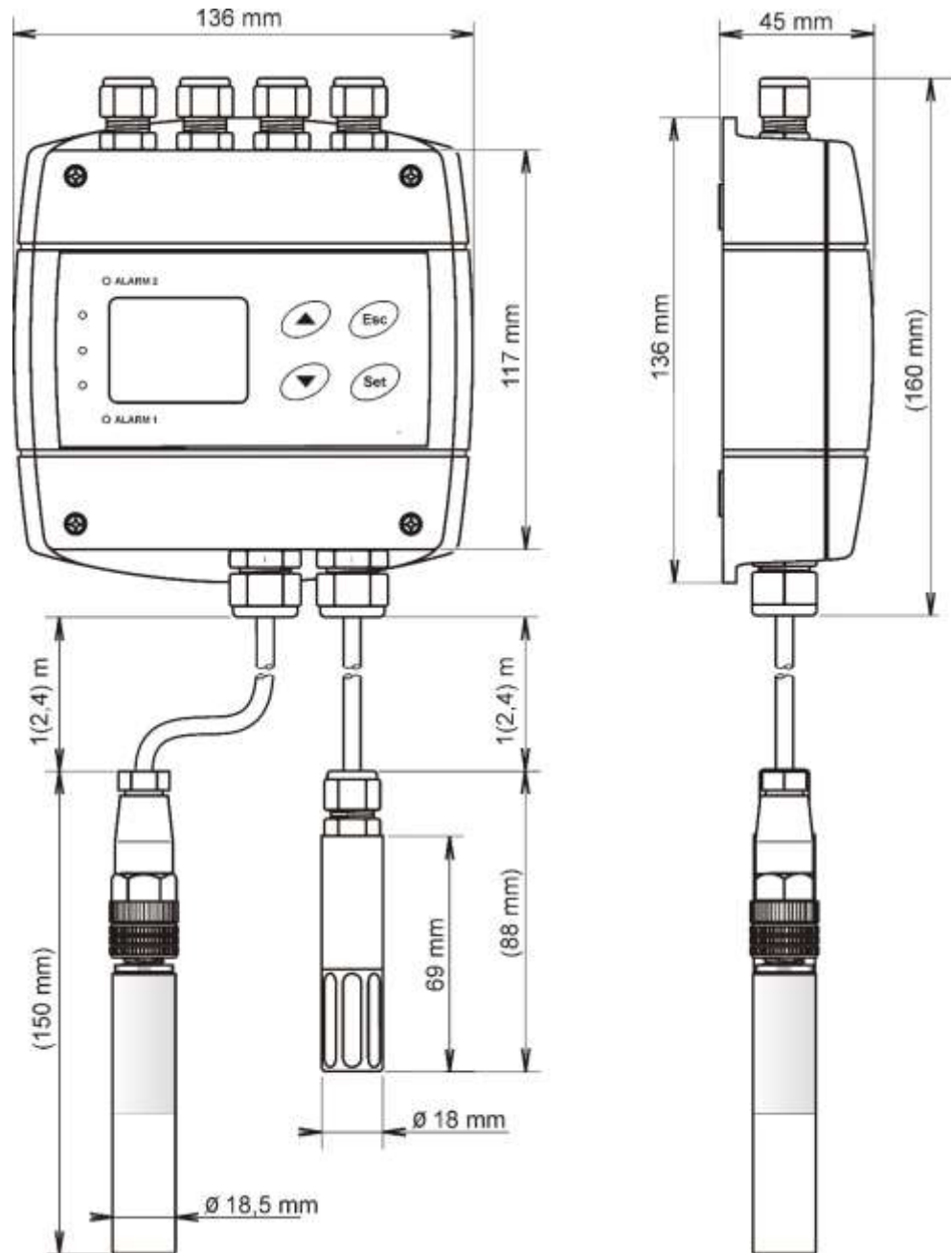
# H5324



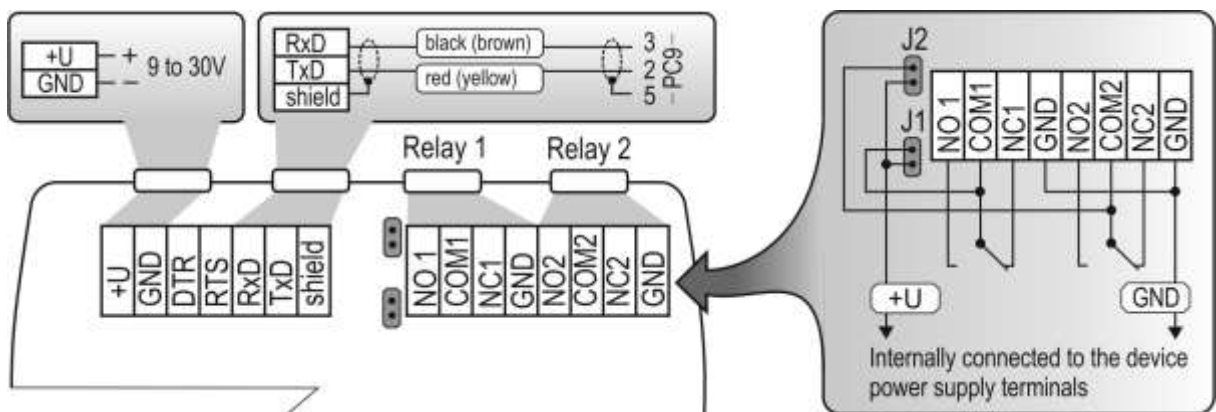
# H6320



# H6321



## 4. Typical application wiring, connection of terminals



## 5. Description of device function and setting

Information from regulator is available directly through LCD or you can read them with one of next communication protocols ( Modbus RTU, Advantech-ADAM ).

### 5.1. Device setting from the manufacturer

communication protocol:	<b>Modbus RTU</b>
regulator address:	<b>1</b>
communication speed:	<b>9600Bd, no parity, 2 stop bits</b>
Value assigned to Relay1 and Relay2:	<b>none</b>
Password for setting through keys (PASS):	<b>0000</b>
LCD display:	<b>on</b>
value shown at first LCD line:	<b>temperature / CO2 - by device type</b>
value shown at second LCD line:	<b>relative humidity / dew point temp. - by device type</b>
temperature unit:	<b>°C</b>
computed value preset:	<b>dew point temperature</b>
relay response for error:	<b>stay unchanged at previous condition</b>
acoustic alarm:	<b>off</b>
LED indication of CO <sub>2</sub> concentration	<b>up to 1000 ppm lights green LED, between 1000 and 1200 ppm lights yellow LED and over 1200 ppm lights red LED</b>
altitude:	<b>300 m above sea level at the installation site</b>

### 5.2. Relay outputs

Regulator is equipped with two relay outputs. It is possible to assign any input or computed value or “Far condition” (see chapter “*Far controlling of output relays status*“ at page 18) to each relay, to set comparing alarm limit, if the relay may close if measured value is higher (Hi) or lower (Lo) than preset limit, delay for while must be preset condition true before relay close its contact and hysteresis for return to open status. For binary inputs: if it is preset to „HI“ then output relay is closed when input contact is opened, if it is preset to „Lo“ then output relay is closed when input contact is closed. Each relay status is indicated with LED diode and shown on LCD with corresponding symbols „**ALARM 1**“ or „**ALARM 2**“.

Terminal block for connecting the relays is equipped with terminals GND, which are connected to the power supply of the device (see chapter “*Typical application wiring, connection of terminals*”). When you need to use relays to switching the voltage identical with the supply voltage of the device, you can use jumpers J1 and J2 for interconnection the power supply of the device directly with the common contacts of the relays. **This modification is used in devices with serial number higher than 16981000** (the wiring diagram of the relay contacts for devices with serial number lower than 16981000 is given in the “*Appendix B*”).

The devices are equipped with two relays that are not intended for direct switching power circuits or mains voltage. If necessary, use suitable type of external relay (an example of wiring is given in the “*Appendix A*”).

### 5.3. Carbon dioxide concentration measurement

A multiple point CO<sub>2</sub> and temperature adjustment procedure leads to excellent CO<sub>2</sub> measurement accuracy over the entire temperature working range; this is a must for process control and outdoor



applications. The dual wavelength NDIR CO<sub>2</sub> sensing procedure compensates automatically for ageing effects. The CO<sub>2</sub> module is highly resistant to pollution and offers maintenance free operation and outstanding long term stability. Measured values can be read in „SLOW mode“ (filtered, averaged) or in „FAST mode“ (current values without averaging). SLOW mode has advantages in applications like climate control because of filtering short time peaks. As an example exhaled air from an employee passing the sensor could affect the climate control negatively with a short response time because the control would trigger a change of the ventilation based on this one-time measurement. On the contrary in „FAST mode“ no software filter is used for calculating the output value. This fact adds a noise of typ. ±30ppm which has to be considered in terms of accuracy. Of principle measurement is the measured value of CO<sub>2</sub> concentration depends on the value of air pressure - altitude at the installation site. For this reason, it is suitable for accurate measurement to set the altitude of the installation site by TSensor software.

After power up there is internal check in progress and takes about 20 s. During this time LCD display shows (----) instead of CO<sub>2</sub> concentration value.

Parameter setting description is into chapter “Regulator setting change” at page 11.

## 5.4. Actual regulator preset

It is possible to display actual regulator preset on its LCD display by pressing of „▲“ key. If „Output relay alarm condition configuration with using of Modbus communication protocol“ is active (see chapter 6.1.4 at page 18), then device’s LCD display shows text „bloc“. It means, device’s keyboard is disabled for time of remote control (setting change), see chapter 6.1.5 at page 18. LCD shows information about Relay1 and then Relay2 setting step by step. Information about Relay1 are indicated with symbol „ALARM 1“, for Relay2 with symbol „ALARM 2“ (at right top corner of LCD). It is possible to edit parameters after pressing „SET“ key and entering of correct password „PASS“ – see chapter *Change of “Password for setting through keys” (PASS)* at page 13. Following examples are for Relay1 setting, similarly are displayed values for Relay2. Pressing of „ESC“ key ends this mode and switch to actual value displaying, the same occur if more than 20 s is not pressed any key.



### 5.4.1. Value assigned to output relay

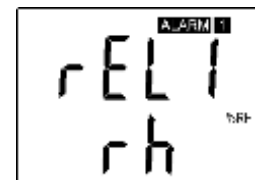
*None, relay is still off*



*Temperature at °C*



*Relative humidity*



*Computed value – dew point temperature*



*CO<sub>2</sub> concentration*



*Fair condition 0*



Far condition 1



FAR0 – „far condition 0“: after device’s power on the relay is open  
 FAR1 – „far condition 1“: after device’s power on the relay is close  
 If “far condition” is assigned to output relay, then there is possible to change the output relay status by Modbus communication protocol only. See chapter “Far controlling of output relays status at page 18.

5.4.2. When close output relay

**High limit „HI“** – the relay closes when measured value exceeds preset „high limit” for longer time than preset „delay time“. Relay goes open when measured value decrease under „high limit“ value minus the „hysteresis” value. See example.

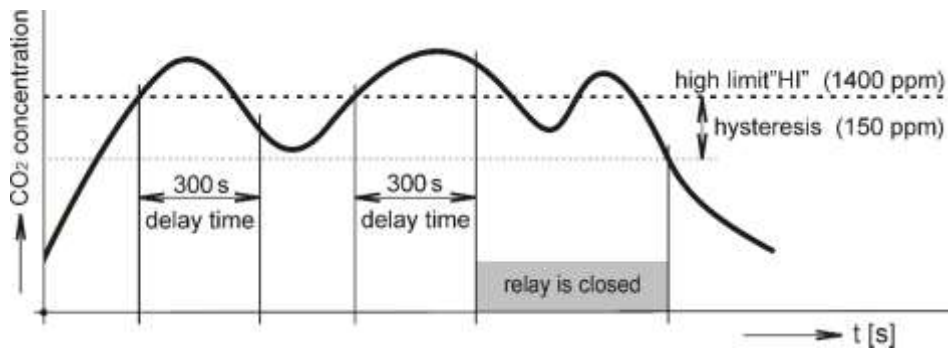
High limit „HI“



Delay [s]

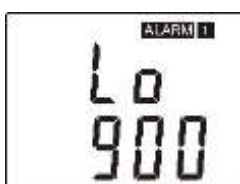


Hysteresis



**Low limit „Lo“** – the relay closes when measured value falls below preset „low limit” for longer time than preset „delay time“. Relay goes open when measured value exceeds „low limit“ value plus the „hysteresis” value. See example.

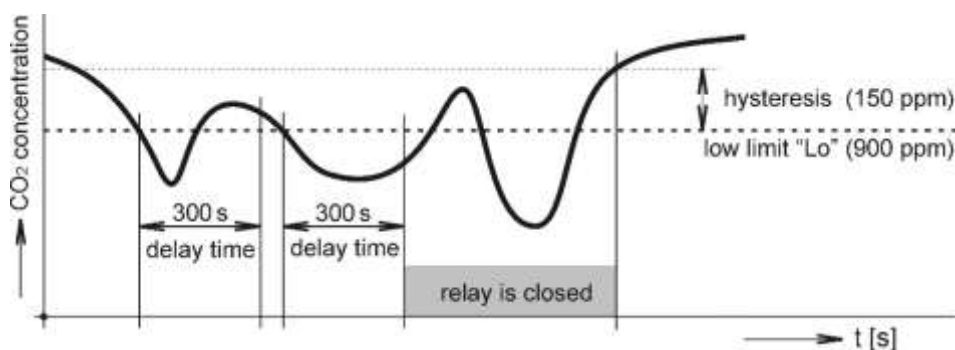
Low limit „Lo“



Delay [s]



Hysteresis



## 5.5. Regulator setting change

### 5.5.1. Setting with PC and TSensor software

User's software **TSensor** provides **setting of all regulator parameters**. The program is available free to download at web page [www.cometsystem.com](http://www.cometsystem.com). Run the TSensor program and follow the program instructions. Regulator includes hardware write protection of internal setting, new setting is possible to write only while:

1. during write period press „SET“ key – do requested setting in TSensor software, press „SET“ key on regulator and keep it down, then click on the button „Save Changes“ into TSensor software and after end of write release „SET“ key, or
2. jumper placed nearby keys is closed (jumper is accessible after demounting of four screws in the corners of the box and removing the lid). This jumper is suitable e.g. until device adjustment is in process and regulator is placed into calibration box and keys are not accessible. Don't forget to remove (open) jumper after procedure finish (restore write protection)

TSensor software supports to make the adjustment of the regulator too. This procedure is described at file „*Calibration manual.pdf*“ which is installed commonly with the software.

### 5.5.2. Setting with using regulator keys

If „Actual regulator preset“ is displayed (see chapter *“Actual regulator preset”* at page 9), it is possible to enter into edit mode and edit displayed value by pressing „SET“ key. Then you are asked for valid password (PASS). You can edit selected value if right password is entered. During value editing there is range check executed and edited value is still compared with limits for corresponding value (range). If inserted value is higher or lower then edited number is automatically changed to its maximum / minimum value – for possible range see chapter „Technical parameters“ at page 23. Value can be changed with using „▲“ and „▼“ keys. Edited value is switched in “round” -9, -8, -7, ...-2, -1, 0, 1, 2, ...8, 9. To edit next number digit press „SET“ key, for moving back to previous digit press „ESC“ key. Edited value is stored by next „SET“ key pressing. It is possible to cancel editing by pressing „ESC“ key if necessary. If valid password is once inserted right, then there is possible to edit next items without asking for password insertion again, till “Actual regulator preset” is left (till actual measured values are shown). With new entering into edit mode it is necessary to enter Password again. Default password setting is preset from manufacturer to 0000, password change is possible into „Extended setting“. During edit mode regulator still works and changes are valid immediately after its storing – it is NOT necessary to restart regulator.

### 5.5.3. Setting with using of Modbus communication protocol

See chapter *“Output relay alarm condition configuration with using of Modbus communication protocol”* at page 18.

## 5.6. Extended setting mode

During regulator operation it is possible to change parameters available through “Actual regulator preset” only (see chapter 5.4 at page 9). Rest of regulator parameters are available through “Extended setting mode”. **In this mode regulator does NOT communicate, does NOT do any measurements and does NOT service output relays. To leave this mode press „ESC“ key and open jumper nearby keys. To enter into Extended setting mode do following steps:**

1. disconnect power supply
2. demount four screws in the corners of the box and remove the lid
3. closed jumper placed nearby keys
4. press „▲“ and „▼“ keys together and keep them down
5. connect power supply to regulator – you should see message „SEL“ on the top line of LCD and on the bottom line you should see number of Firmware version (e.g. 0404)
6. release „▲“ and „▼“ keys – you are into “Extended setting mode” now

Use „▲“ and „▼“ keys to inspect each items. If you want to change some shown item then press „SET“ key, item starts blink. Now you can edit setting with using „▲“ and „▼“ keys. To store preset value press „SET“ key. Press „ESC“ key to leave editing (changing) without save – last stored value is kept.

### Acoustic alarm assign to Relay1

*acoustic indication of Relay1 is OFF*



*close of Relay1 contact starts acoustic indication*



### Acoustic alarm assign to Relay2

*acoustic indication of Relay2 is OFF*



*close of Relay2 contact starts acoustic indication*



### Acoustic alarm deactivation

*activated acoustic alarm is possible to deactivate by pressing „ESC“ key*



*acoustic alarm is still activated for all time and it is impossible to deactivate it*



**Relay response for error**

Regulator continuously checks its state during operation. In case error of assigned value measurement is found then output Relay1 (Relay2):

*stays unchanged (in previous status)*



*Relay1 switch OFF*



*Relay1 switch On*



*stays unchanged (in previous status)*



*Relay2 switch OFF*



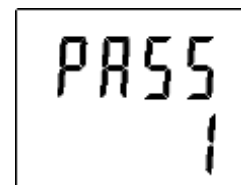
*Relay2 switch On*



**Change of “Password for setting through keys” (PASS)**

This item shows actual password setting. It is possible to change it after „SET“ key pressing. It is number from range - 19999 to +19999

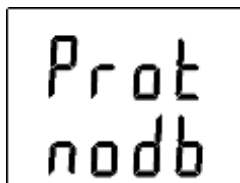
*password setting*



**Choice of communication protocol**

Choice of communication protocol for communication with master device

*protocol Modbus*



*protocol Advantech-Adam  
without check sum*



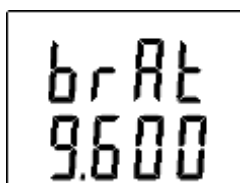
*protocol Advantech-Adam  
with check sum*



**Communication speed**

Communication speed for preset communication protocol

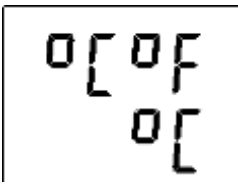
*communication speed setting*



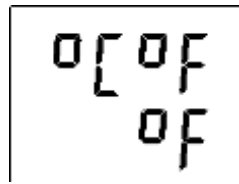
### Temperature unit choice

It is possible to measure temperature at °C or °F. There is shown preset unit. It is possible to change it after „SET“ key pressing.

*preset to °C*



*preset to °F*



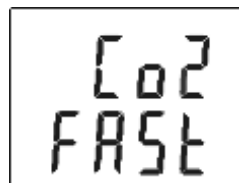
### CO<sub>2</sub> measurement mode selection

This item provides to choice if measured value is displayed and read in “SLOW” or “FAST” mode. “FAST” mode provides last measured value without averaging; this means that no software filter is used for calculating the output value. “SLOW” mode provides value averaged from last 11 “FAST” measured values.

*averaged value „SLOW“ mode*

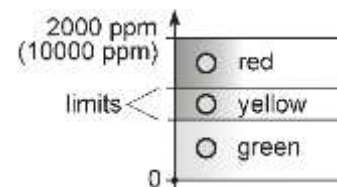


*current value without averaging „FAST“ mode*



### CO<sub>2</sub> zone level indication setup

Whole measuring range can be divided into three areas. Each active area there is indicated by green, yellow or red LED depends on actual measured value. It is done by two boundary limits setting. „YELL“ limit sets boundary between green and yellow indication. It means that if actual measured value is lower than „YELL“ limit, there is green LED active. If actual measured value is higher than „YELL“ limit, then there is yellow LED active. Yellow LED lights until actual measured value exceeds „RED“ limit. If actual value is higher than „RED“ limit, red LED is active. If you don't want to use this indication then set “YELL” limit to 0.



*„YELLOW“ limit setting*



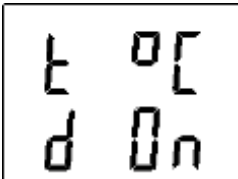
*„RED“ limit setting*



### Show temperature at LCD display

This item provides to choice if actual measured temperature may be displayed at LCD display or not. It is possible to change it after „SET“ key pressing.

*show value on LCD*



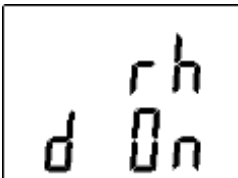
*don't show value on LCD*



### Show relative humidity at LCD display

This item provides to choice if actual measured relative humidity may be displayed at LCD display or not. It is possible to change it after „SET“ key pressing.

*show value on LCD*



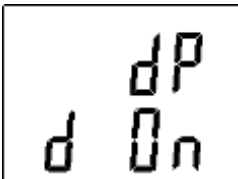
*don't show value on LCD*



### Show computed value at LCD display

This item provides to choice if actual computed value may be displayed at LCD display or not. There is shown the name of computed value on the top LCD line – see “Computed value selection“ below. It is possible to change it after „SET“ key pressing.

*show value on LCD*



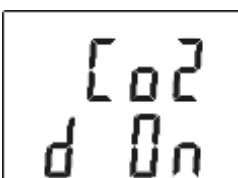
*don't show value on LCD*



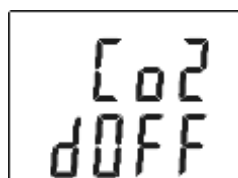
### Show CO<sub>2</sub> concentration at LCD display

This item provides to choice if CO<sub>2</sub> value may be displayed at LCD display or not. It is possible to change it after „SET“ key pressing.

*show value on LCD*



*don't show value on LCD*



## Computed value selection

It shows the actually selected computed value name. It is possible to change it after „SET“ key pressing. There is possible choice one of the following computed values:

*dew point temperature*



*absolute humidity*



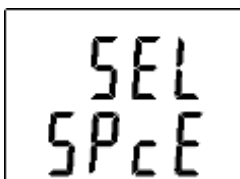
*mixing ratio*



*specific humidity*



*specific enthalpy*

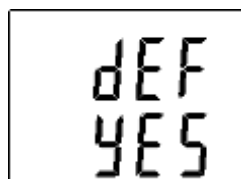
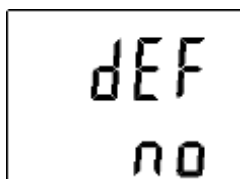


## 5.7. Restore to „Factory default“

This item provides regulator restoring to factory setting. Press „SET“ key, select „YES“ and confirm it by pressing of „SET“ key. It reset regulator parameters to following values:

communication protocol:	<b>Modbus RTU</b>
regulator address:	<b>1</b>
communication speed:	<b>9600Bd, no parity, 2 stop bits</b>
value assigned to Relay1 and Relay2:	<b>none</b>
password for setting through keys:	<b>0000</b>
display:	<b>on</b>
value shown at first LCD line:	<b>temperature / CO<sub>2</sub> - by device type</b>
value shown at second LCD line:	<b>relative humidity / dew point temp. – by device type</b>
temperature unit:	<b>°C</b>
computed value preset:	<b>dew point temperature</b>

*obnova nastavení regulátoru od výrobce*



## 6. Description of communication protocols

Detailed description of each communication protocols including examples of communication is available in individual document “*Description of communication protocols*”, which is available to download at [www.cometsystem.cz](http://www.cometsystem.cz), see detailed description of appropriate device type. After switching ON the power of the device it can last up to 3 s before the device starts to communicate and measure !!!



## 6.1. Modbus RTU

Control units communicate on master-slave principle in half-duplex operation. Only master can send request and only addressed device responds. During sending of request no other slave station should respond. During communication, data transfer proceeds in binary format. Each Byte is sent as eight bit data word in format: 1 start bit, data word 8 bit (LSB first), 2 stop bits<sup>1</sup>, without parity. Device supports communication speed from 110Bd to 115200Bd.

Sent request and response have syntax: ADDRESS OF DEVICE – FUNCTION – Modbus CRC

### 6.1.1. Supported functions

**03 (0x03):** Reading of 16-bit registers (Read Holding Registers)

**04 (0x04):** Reading of 16-bit input gates (Read Input Registers)

**06 (0x06):** Setting of one 16-bit register (Write Register)

**16 (0x10):** Setting of more 16-bit registers (Write Multiple Registers)

### 6.1.2. Jumper

Jumper (placed nearby keys) is accessible after demounting of four screws in the corners of the box and removing the lid. If communication protocol Modbus is selected the function of jumper is as follows:

- Jumper opened – device memory is protected from writing, from device side it is only enabled to read measured value, writing to memory is disabled (no change of settings is enabled)
- Jumper closed – writing to regulator memory is enabled

### 6.1.3. Modbus registers of the regulator

Variable	Unit	Address [hex] <sup>x</sup>	Address [dec] <sup>x</sup>	Format	Size	Status
measured temperature	[°C/°F]*	0x0031	49	Int*10	BIN16	R
measured relative humidity	[%]	0x0032	50	Int*10	BIN16	R
computed value*		0x0033	51	Int*10	BIN16	R
CO <sub>2</sub> concentration displayed on LCD	ppm	0x0034	52	Int	BIN16	R
Relay1 status [0/1] (Alarm 1)	[-]	0x003B	59	Int	BIN16	R
Relay2 status [0/1](Alarm 2)	[-]	0x003C	60	Int	BIN16	R
CO <sub>2</sub> concentration „FAST“ mode	ppm	0x0054	84	Int	BIN16	R
CO <sub>2</sub> concentration „SLOW“ mode	ppm	0x0055	85	Int	BIN16	R
status word (described below)	[-]	0x0007	7	Int	BIN16	R
device serial number Hi	[-]	0x1035	4149	BCD	BIN16	R
device serial number Lo	[-]	0x1036	4150	BCD	BIN16	R
firmware version Hi	[-]	0x3001	12289	BCD	BIN16	R
firmware version Lo	[-]	0x3002	12290	BCD	BIN16	R
device address	[-]	0x2001	8193	Int	BIN16	R/W**
communication speed code	[-]	0x2002	8194	Int	BIN16	R/W**

<sup>1</sup> Device sends two stop bits, for receive one stop bit is enough.

**Legend:**

- \* depends on device setting (by User's software)
- Int\*10 register is in format integer \*10 (likewise \*100, \*1000)
- R register is designed only for reading
- W\*\* register is designed for writing, but direct write is not available, for details see description of communication protocols
- x at transmit are register addresses indexed from zero - „zero based addressing“. For example „measured temperature“ with Modbus address 0x31 is physically sent along data bus as value 0x30. You make sure of correct addressing with the aid of Master device documentation or experimentally (e.g. for „measured temperature“ try to use address 0x31 or 0x30).
- Status word: 16b value return, bite description:
 

Bit0	0/1	jumper open/closed
Bit1	-	unused
Bit2	0	always 0
Bit3	0/1	Relay1 open/closed
Bit4	0/1	Relay2 open/closed
Bit5	0/1	internal acoustic alarm status
Bit6 to 15	-	unused

**Note:** In case there is a need for reading of measured values from the device with higher resolution than one decimal, measured values in device are stored also in „Float“ format, which is not directly compatible with IEEE754.

#### 6.1.4. Far controlling of output relays status <sup>2</sup>

There is possible to control output relay status (open/close) with using of Modbus communication protocol. To this function enable, there is necessary to assign one of following options to relay:

- FAR0 – „Far condition 0“, it means, after power up output relay will be open, or
- FAR1 – „Far condition 1“, it means, after power up output relay will be close.

Then there is possible to change relay status by Modbus communication protocol command by requested value writing to following addresses:

Function	Address [hex] <sup>X</sup>	Address [dec] <sup>X</sup>	Description	Status
Far condition for Relay1	0x0042	66	0 - relay open, 1 - relay closed	R/W
Far condition for Relay2	0x0043	67	0 - relay open, 1 - relay closed	R/W

#### 6.1.5. Output relay alarm condition configuration with using of Modbus communication protocol <sup>2</sup>

With Modbus communication protocol there is possible to set regulator's parameters described at chapter „Actual regulator preset“ at page 9. Follow next steps:

<sup>2</sup> This function is available from firmware version 04.06. If older firmware used, update your firmware or contact device's distributor.

- 1) To address 0x0044 (68) write value1 – it enables Modbus setting. By the way it blocks regulator’s keyboard – local keyboard is blocked during remote control setting change.
- 2) Write the desired settings / changes to the addresses from 0x0045 (69) to 0x004E (78). New setting can be done simultaneously or each register can be written alone
- 3) To address 0x004F (79) write value 1. Once this step is done, new setting is physically stored into device memory (confirm change). Then registers 0x004F (79) and 0x0044 (68) are automatically cleared (zero). It automatically unlocks the keyboard too.

Whole setting process can be cancelled by writing value 0 to address 0x0044 (68). At this time no changes are stored and last setting stays valid.

Function	Unit	Address [hex] <sup>x</sup>	Address [dec] <sup>x</sup>	Description	Status
Modbus Remote Control	[-]	0x0044	68	0 ... disable 1 ... enable (for this time device’s keyboard is blocked, if key is pressed, message BLOC is shown)	R/W
Value assigned to output Relay1	by value	0x0045	69	0 ... Off 1 ... temperature 2 ... relative humidity 3 ... atmospheric pressure (CO <sub>2</sub> concentration) 4 ... computed value 5 ... unused 6 ... unused 7 ... unused 8 ... Far condition 0 9 ... Far condition 1	R/W
When close Relay1	[-]	0x0046	70	0 ... alarm occurs, when measured value is LOWER than preset alarm value 1 ... alarm occurs, when measured value is HIGHER than preset alarm value	R/W
Alarm value for Relay1	by value	0x0047	71	preset alarm value (threshold)	R/W
Delay for Relay1	[sec]	0x0048	72	Time in seconds Time in seconds that the condition must be valid to evaluate alarm	R/W
Hysteresis of Relay1	by value	0x0049	73	Value witch must be set back below / above a given threshold in order to open the relay	R/W
Value assigned to output Relay2	by value	0x004A	74	0 ... Off 1 ... temperature 2 ... relative humidity 3 ... atmospheric pressure (CO <sub>2</sub> concentration) 4 ... computed value 5 ... unused 6 ... unused 7 ... unused 8 ... Far condition 0 9 ... Far condition 1	R/W

Function	Unit	Address [hex] <sup>X</sup>	Address [dec] <sup>X</sup>	Description	Status
When close Relay2	[-]	0x004B	75	0 ... alarm occurs, when measured value is LOWER than preset alarm value 1 ... alarm occurs, when measured value is HIGHER than preset alarm value	R/W
Alarm value for Relay2	by value	0x004C	76	preset alarm value (threshold)	R/W
Delay for Relay2	[sec]	0x004D	77	Time in seconds Time in seconds that the condition must be valid to evaluate alarm	R/W
Hysteresis of Relay2	by value	0x004E	78	Value which must be set back below / above a given threshold in order to open the relay	R/W
Confirm changes	[-]	0x004F	79	Read always as 0 write 1 ... physically stores new setup into device's memory, at the end the register is automatically reset to zero.	R/W

All registers contains 16b number. Communication examples are listed in a separate document entitled "Description of communication protocols".

## 6.2. Protocol compatible with Advantech-ADAM standard

Control units communicate on master-slave principle in half-duplex operation. Only master can send requests and only addressed device responds. During sending request any of slave devices should respond. During communication data is transferred in ASCII format (in characters). Each Byte is sent as two ASCII characters. Device supports communication speed from 1200Bd to 115200Bd, parameters of communication link are 1 start bit + eight bit data word (LSB first) + 1 stop bit, without parity.

### 6.2.1. Jumper

Jumper (placed nearby keys) is accessible after demounting of four screws in the corners of the box and removing the lid. If communication protocol compatible with standard Advantech-ADAM is selected, its function is the following:

- If jumper during switching ON the power is closed, device always communicates with following parameters regardless stored setting in the device:  
communication speed 9600 Bd, without check sum, device address 00h
- If jumper during switching ON the power is not closed, device communicates in accordance with stored setting.
- If jumper is closed during device operation, device temporarily changes its address to 00h, it will communicate in the same communication speed as before closing jumper and will communicate without check sum. After jumper is opened setting of address and check sum is reset in accordance with values stored in the device.
- Communication speed and check sum are possible to change only if jumper is closed.
- Jumper closed and button pressed for longer than six seconds – causes restoring of manufacturer setting **of communication protocol**, i.e. sets Modbus RTU communication protocol, device address sets to 01h and communication speed to 9600Bd (after button press there is "dEF" message blinking at LCD display. Six seconds later message "dEF" stays shown, it means manufacturer setting **of communication protocol** is done).

For communication with device which measure more than one value, there is necessary to add at the end of command, number of communication channel, where the measured value is mapped. Command for value reading is #AAx(CRC) CR, where AA is device address and x is number of communication channel by next table:

Measured value	Number of communication channel
temperature	0
relative humidity	1
computed value	2
barometric pressure (CO <sub>2</sub> concentration)	3
status word (described below)*	4
Relay1 status [0/1]	5
Relay2 status [0/1]	6

\* Status word: 16b value return, bite description:

Bit0	0/1	jumper open/closed
Bit1	-	unused
Bit2	0	always 0
Bit3	0/1	Relay1 open/closed
Bit4	0/1	Relay2 open/closed
Bit5	0/1	internal acoustic alarm status
Bit6 -15	-	unused

## 7. Error States of the device

Device continuously checks its state during operation. In case error is found LCD displays corresponding error code:

**Error 0** - first line of LCD displays „Err0“. Check sum error of stored setting inside device’s memory. This error appears if incorrect writing procedure to device’s memory occurred or if damage of calibration data appeared. At this state device does not measure and calculate values. It is a serious error, contact distributor of the device to fix.

**Error 1** - measured or calculated value (except concentration of CO<sub>2</sub>) is over upper limit of allowed full scale range. There is a reading „Err1“ on LCD display. Value read from the device is +999.9. This state appears in case of:

- Measured temperature is higher than approximately 600°C (i.e. high non-measurable resistance of temperature sensor, probably opened circuit).
- Relative humidity is higher than 100%, i.e. damaged humidity sensor, or humidity calculation of humidity is not possible (due to error during temperature measurement).
- Computed value – calculation of the value is not possible (error during measurement of temperature or relative humidity or value is over range).

The value of CO<sub>2</sub> concentration 9999 ppm is correct value!

**Error 2** - there is a reading „Err2“ on LCD display. Measured or calculated value is below lower limit of allowed full scale range or CO<sub>2</sub> concentration measurement error occurred. Value read from the device is -999.9. This state appears in case of:

- Measured temperature is lower than approximately -210°C (i.e. low resistance of temperature sensor, probably short circuit).
- Relative humidity is lower than 0%, i.e. damaged sensor for measurement of relative humidity, or calculation of humidity is not possible (due to error during temperature measurement).

- Computed value – calculation of computed value is not possible (error during measurement of temperature or relative humidity).

**Error 3** - there is a reading „Err3“ on LCD display upper line. Error of internal A/D converter appeared (converter does not respond, probably damage of A/D converter). At this state device does not measure temperature and relative humidity. This error does not affect CO<sub>2</sub> concentration measurement. It is a serious error, contact distributor of the device.

**Error 4** - there is a reading „Err4“ on LCD display. It is internal device error during CO<sub>2</sub> concentration sensor initialization. Under this condition device does not measure concentration of CO<sub>2</sub>. Value read from device is -9999 (concentration of CO<sub>2</sub>). CO<sub>2</sub> sensor is probably damaged. It is a serious error, contact distributor of the device.

**Error 5, 6** - there is problem with assigned value to output relay, there is some wrong setting (mismatch). This error appears if incorrect writing procedure to device's memory occurred.

**Error 9** - inserted password is not valid, there is shown for short time message “Err9” on LCD display.

## 8. Readings on CD display

°C, °F reading next to this symbol is measured temperature or error state of value

%RH reading next to this symbol is measured relative humidity or error state of value

CO<sub>2</sub> ppm reading next to this symbol is measured concentration of CO<sub>2</sub> or error state of value.

°C / °F DP reading next to this symbol is calculated dew point temperature or error state of value

g/m<sup>3</sup> reading next to this symbol is calculated absolute humidity or error state of value

g/kg reading next to this symbol is calculated specific humidity or mixing ratio (depends on device setting) or error state of value

3 this symbol is on if jumper is closed

If specific enthalpy is selected, there is shown only value (number) without corresponding unit.

## 9. Preventive maintenance and calibration

Pay heed to recommended calibration interval. Do not subject the device to mechanical stress.

## 10. Technical specification

### 10.1. Technical parameters

#### 10.1.1. Common parameters

<b>Power voltage:</b>	9 to 30 V DC
<b>Power consumption:</b>	1W during normal operation 4W for 50ms with 15 s period
<b>Measuring interval:</b>	temperature, relative humidity . . . . . 0,5s concentration of CO <sub>2</sub> . . . . . 15s
<b>Display switching interval:</b>	4 s (when more than two values are displayed)
<b>Relay outputs:</b>	
Amount:	2
Maximal voltage:	50 V
Maximal current:	2A
Maximal power:	60 VA
	Relays contact is not designed for direct control of line voltage! (output relay contact parameters: max 220Vdc, 125Vac, 2A, 60 W, 62.5 VA)
<b>EMC:</b>	EN 61326-1, EN 55011

#### 10.1.2. H5321 - CO<sub>2</sub> regulator

##### Concentration of CO<sub>2</sub>:

Accuracy:	± (100 ppm + 5 % of measuring value) at 25°C (77°F) and 1013 hPa
Range:	0 to 10000 ppm
Temperature dependence:	typ. 2 ppm CO <sub>2</sub> / °C in the range 0 to 50 °C (32 to 122°F)
Long term stability:	typ. 20 ppm / year
Resolution:	1 ppm

<b>Response time:</b>	t <sub>90</sub> < 195 s in „SLOW“ measurement mode t <sub>90</sub> < 75 s in „FAST“ measurement mode
-----------------------	---

#### 10.1.3. H5324 - CO<sub>2</sub> regulator

##### Concentration of CO<sub>2</sub>:

Accuracy:	± (50 ppm + 2 % of measuring value) at 25°C (77°F) and 1013 hPa
Range:	0 to 2000 ppm
Temperature dependence:	typ. 2 ppm CO <sub>2</sub> / °C in the range 0 to 50 °C (32 to 122°F)
Long term stability:	typ. 20 ppm / year
Resolution:	1 ppm

<b>Response time:</b>	t <sub>90</sub> < 195 s in „SLOW“ measurement mode t <sub>90</sub> < 75 s in „FAST“ measurement mode
-----------------------	---

#### 10.1.4. H6320 - temperature, relative humidity and CO<sub>2</sub> regulator

**Temperature:**

Accuracy:  $\pm 0,4$  °C ( $\pm 0,7$  °F)  
Range: -30 to +60 °C (-22 to 140 °F)  
Resolution: 0,1 °C (0,2 °F)

**Relative humidity:**

Accuracy:  $\pm 2,5$  %RH from 5 to 95 %RH at 23 °C (73,4 °F)  
Range: 0 to 100 %RH  
Resolution: 0,1 %RH

**Concentration of CO<sub>2</sub>:**

Accuracy:  $\pm (50 \text{ ppm} + 2 \% \text{ of measuring value})$  at 25°C (77°F) and 1013 hPa  
Range: 0 to 2000 ppm  
Temperature dependence: typ. 2 ppm CO<sub>2</sub> / °C in the range 0 to 50 °C (32 to 122°F)  
Long term stability: typ. 20 ppm / year  
Resolution: 1 ppm

**Measuring temperature and humidity range is limited** in accordance with the graph below.

**Response time measurement of temperature and relative humidity** with stainless steel mesh sensor cover (F5200B) and bronze sensor cover (F0000 - selectable option), air flow 1 m/s:

temperature:  $t_{90} < 6$  min (temperature step 20 °C (36 °F))  
relative humidity:  $t_{90} < 30$  s (humidity step 65 %RH, constant temperature)

**Response time measurement of CO<sub>2</sub> concentration:**

$t_{90} < 195$  s in „SLOW“ measurement mode  
 $t_{90} < 75$  s in „FAST“ measurement mode

#### 10.1.5. H6321 - temperature, relative humidity and CO<sub>2</sub> regulator

**Temperature:**

Accuracy:  $\pm 0,4$  °C ( $\pm 0,7$  °F)  
Range: -30 to +105 °C (-22 to 221 °F), includes probe cable  
Resolution: 0,1 °C (0,2 °F)

**Relative humidity:**

Accuracy:  $\pm 2,5$  %RH from 5 to 95 %RH at 23 °C (73,4 °F)  
Range: 0 to 100 %RH  
Resolution: 0,1 %RH

**Concentration of CO<sub>2</sub>:**

Accuracy:  $\pm (100 \text{ ppm} + 5 \% \text{ of measuring value})$  at 25°C (77°F) and 1013 hPa  
Range: 0 to 10000 ppm  
Temperature dependence: typ. 2 ppm CO<sub>2</sub> / °C in the range 0 to 50 °C (32 to 122°F)  
Long term stability: typ. 20 ppm / year  
Resolution: 1 ppm

**Measuring temperature and humidity range is limited** in accordance with the graph below.

**Response time measurement of temperature and relative humidity** with stainless steel mesh sensor cover (F5200B) and bronze sensor cover (F0000 - selectable option), air flow 1 m/s:

temperature:  $t_{90} < 6$  min (temperature step 20 °C (36 °F))  
relative humidity:  $t_{90} < 30$  s (humidity step 65 %RH, constant temperature)

**Response time measurement of CO<sub>2</sub> concentration:**

$t_{90} < 195$  s in „SLOW“ measurement mode  
 $t_{90} < 75$  s in „FAST“ measurement mode

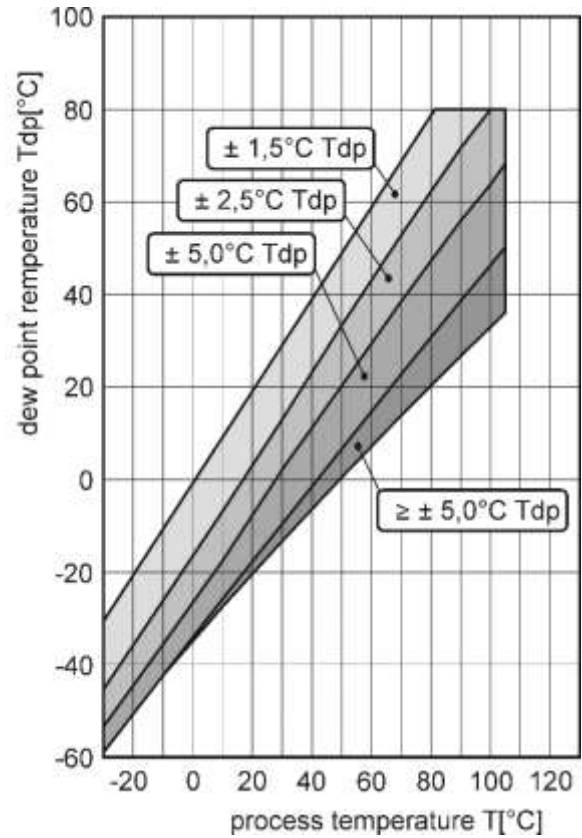
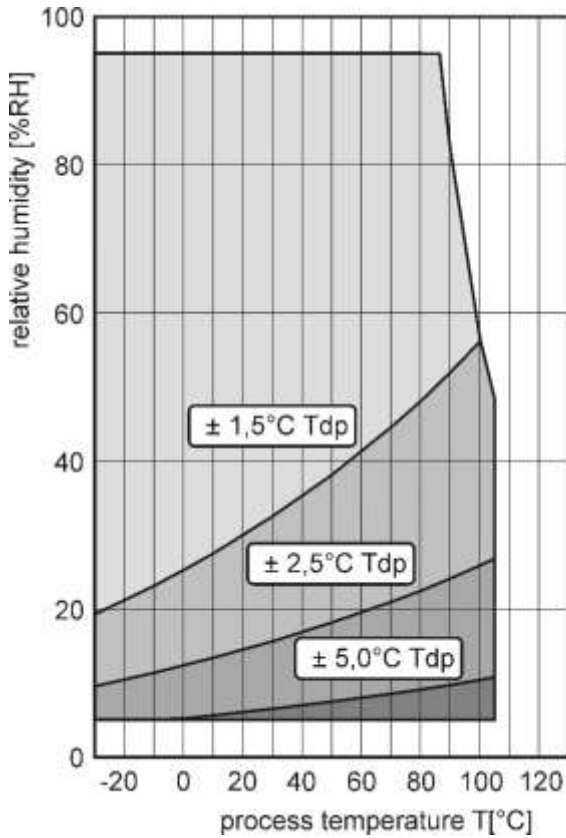


### 10.1.6. Value computed from measured relative humidity and temperature

#### Dew point temperature

Range: -60 to +80 °C (-76 to 176 °F)

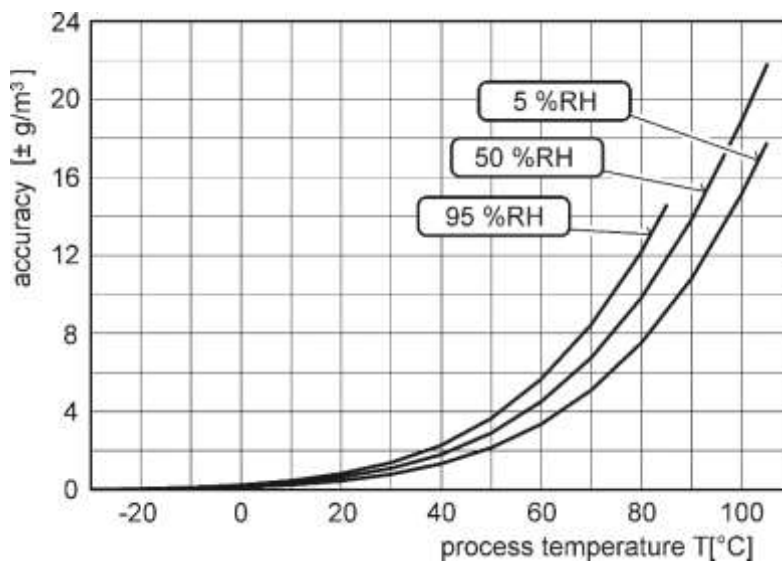
Accuracy:  $\pm 1,5^{\circ}\text{C}$  ( $\pm 2,7^{\circ}\text{F}$ ) at ambient temperature  $T < 25^{\circ}\text{C}$  ( $77^{\circ}\text{F}$ ) and relative humidity  $\text{RH} > 30\%$ , for more details see graphs below



#### Absolute humidity

Range: 0 to 400 g/m<sup>3</sup>

Accuracy:  $\pm 1,5 \text{ g/m}^3$  at ambient temperature  $T < 25^{\circ}\text{C}$  ( $104^{\circ}\text{F}$ ), for more details see graph below



### Specific humidity<sup>3</sup>

Accuracy:  $\pm 2$ g/kg at ambient temperature  $T < 35^{\circ}\text{C}$  ( $95^{\circ}\text{F}$ )

Range: 0 to 550 g/kg

### Mixing ratio<sup>3</sup>

Accuracy:  $\pm 2$ g/kg at ambient temperature  $T < 35^{\circ}\text{C}$  ( $95^{\circ}\text{F}$ )

Range: 0 to 995 g/kg

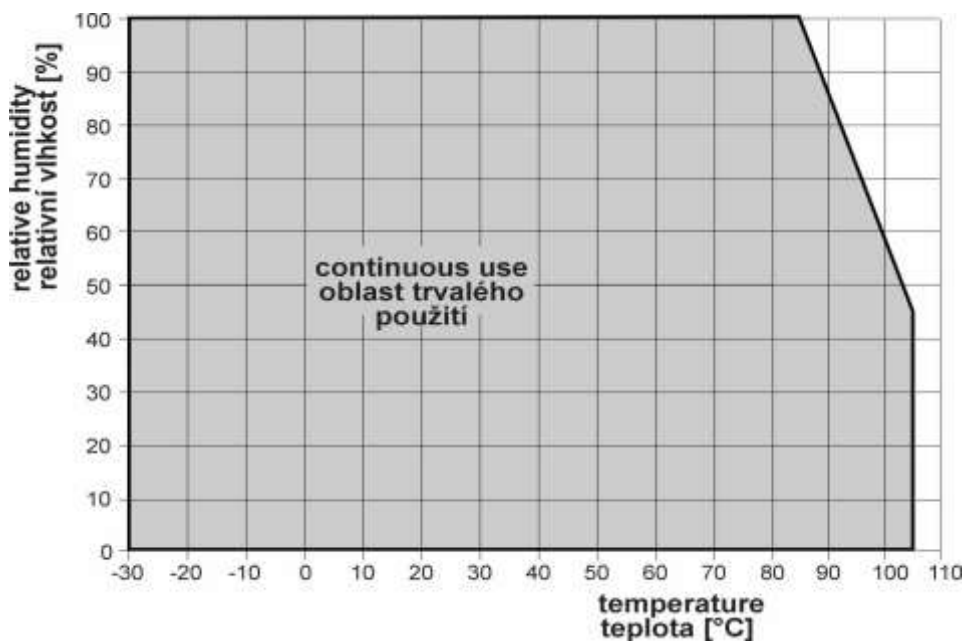
### Specific enthalpy<sup>3</sup>

Accuracy:  $\pm 3$ kJ/kg at ambient temperature  $T < 25^{\circ}\text{C}$  ( $77^{\circ}\text{F}$ )

Range: 0 to 995 kJ/kg<sup>4</sup>

The values computed from ambient temperature and relative humidity including their accuracy you can exactly determine by the program **Conversions**. It is free to download at [www.cometsystem.cz](http://www.cometsystem.cz).

## 10.1.7. Relative humidity and temperature restriction



## 10.2. Operating conditions

### Operating temperature and relative humidity:

**electronics H5321, H6321:** -30 to +80 °C (-22 to 176 °F)

**electronics H5324, H6320:** -30 to +60 °C (-22 to 140 °F)

**measuring end of stem H6320:** -30 to +80 °C (-22 to +176 °F)

**CO<sub>2</sub> probe H5321, H6321** -40 to +60 °C (-40 to +140 °F)

**RH+T probe H6321:** -30 to +105 °C (-22 to +221 °F)

*It is recommended to switch off the LCD display at ambient temperatures above 70°C (158°F) around electronics.*

<sup>3</sup> This value depends on the atmospheric pressure. For computing is used constant value stored in device memory. Default value preset by manufacturer is 1013hPa and can be changed by user's software.

<sup>4</sup> This maximum is reached under conditions about 70°C/100%RH or 80°C/70%RH

**Operating humidity range:****H5321, H6321:** 0 to 100 % RH (no condensation)**H5324, H6320:** 5 to 95 % RH (no condensation)**Operating barometric pressure range** 850 to 1100 hPa**Protection:****H5321** IP65 (electronics), IP65 (CO<sub>2</sub> probe)**H5324** IP65 (electronics)**H6320** IP30 (electronics), IP40 (measuring end of stem)**H6321** IP65 (electronics), IP65 (CO<sub>2</sub> probe), IP40 (RH+T probe)**Other environmental conditions (external influences) according to HD 60364-5-51:** normal**Recommended calibration interval:****H5321** 5 years (CO<sub>2</sub>)**H5324** 5 years (CO<sub>2</sub>)**H6320** 5 years (CO<sub>2</sub>), 1 year (relative humidity), 2 years (temperature)**H6321** 5 years (CO<sub>2</sub>), 1 year (relative humidity), 2 years (temperature)**Working position:****H5321, H6321:** negligible**H5324:** with cable glands upwards**H6320:** with sensor cover downwards

**Not allowed manipulations:** It is not allowed to operate the device under conditions other than specified in technical parameters. Devices are not designed for locations with chemically aggressive environment. Temperature and humidity sensors must not be exposed to direct contact with water or other liquids. It is not allowed to remove the sensor cover to avoid any mechanical damage of the sensors.

**Storage conditions:****temperature:** -40 to +60 °C (-40 to 140 °F)**relative humidity:** 5 to 95 % RH (no condensation)**atmospheric pressure:** 700 až 1100 hPa**Dimensions:** see dimensional drawings**Weight:** approximately:**H5321/1m probe** 440 g**H5321/2m probe** 470 g**H5321/4m probe** 530 g**H5324** 340 g**H6320** 360 g**H6321/1m probes** 520 g**H6321/2m probes** 590 g**H6321/4m probes** 730 g

*Weight of the device is given without RS232 communication cable (cable weight is 70g).*

**Material of the case:** ABS

### 10.3. End of operation

Device itself (after its life) is necessary to liquidate ecologically!

## 10.4. Technical support and service

The adjustment procedure is described at file „*Calibration manual.pdf*“ which is installed commonly with the TSensor software.

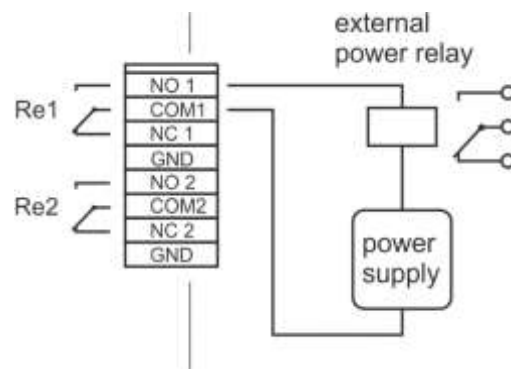
Technical support and service is provided by distributor. For contact see warranty certificate. You can use discussion forum at web address: <http://www.forum.cometsystem.cz/>.

## 11. Appendix A

### Connection of external power relay

#### Coil data chart of external power relay:

nominal voltage : max 50V  
nominal power: max 60VA  
current: max 2A



## 12. Appendix B

Wiring diagram of relay contacts for devices with serial number lower than **16981000**.

