



COMET SYSTEM, s.r.o.

1.maje 1220

756 61 Roznov pod Radhostem

CZECH REPUBLIC

Tel.: +420 571 653 990

E-mail: info@cometsystem.com

T0110 Temperature transmitter outdoor, indoor with 4-20mA output



code: T0110

Ambient temperature transmitter. Outdoor, indoor use.

Temperature transmitter with 4-20mA output for two-wire connection is built in a durable watertight case. Output temperature range is user adjustable. Degrees Celsius and Fahrenheit are user selectable. Large dual line LCD is an advantage. Display is possible to switch off.

Included in delivery:

- Traceable calibration certificate
- Quick start manual
- Free program TSensor for configuring of the transmitter is ready to [Download](#)

Features

Temperature transmitter is equipped with temperature sensor. Output temperature range is user adjustable. Degrees Celsius and Fahrenheit are user selectable. Transmitter contains a microprocessor based control circuitry in a durable plastic case with connection terminals. Display is possible to switch off. Computerized design ensures long term stability and fail indication.

APPLICATIONS - measuring and control of air temperature at:

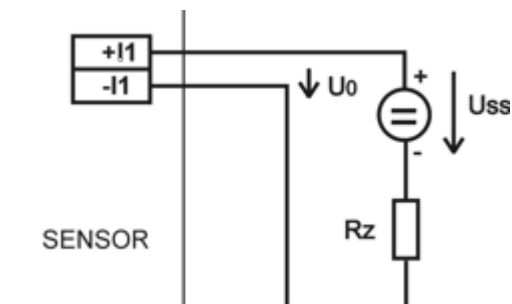
- building HVAC management
- building HVAC automation
- warehouses
- glasshouses
- manufacturers
- museums, archives, galleries
- air-conditioned rooms
- weather stations

Output is adjusted to maximum temperature range from the manufacturer.

To adjust other range by the user buying of SP003 cable is necessary - see Optional accessory.
[Free configuration program TSensor](#) for transmitter adjustment is ready to download anytime.

If different adjustment of output temperature range is required, please specify required range in the order. Adjustment is free of charge.

Ordering example: Thermometer T0111, output -100 to +30°C



Typical application wiring

Calculation of minimum power voltage U_{ss} for proper operation:

$U_{ss \text{ min}} > U_{o \text{ min}} + I_{\text{max}} * R_z$,

where: $U_{o \text{ min}} = 9 \text{ V}$

I_{max} ... approximately 20 mA

R_z ... sensing resistor (shunt)

Technical Data

Technical parameters	Value
Output	4-20mA
Measured Value	Temperature
Construction Type	Ambient Air
Design	Industrial
Temperature Measuring Range	-30 to 80 °C
Relay Output	No
Two-State Input	No
Lcd Display	Yes
PoE	No
Accuracy of temperature output	±0.4°C
Available temperature units	degrees Celsius, Fahrenheit
Temperature operating range	-30 to +80°C
Temperature operating range of LCD display	readable to operating temperature +70°C, it is recommended to switch OFF the LCD over +70°C
Current output - two-wire connection	4-20mA
Configuration of output range	user adjustable from the PC
IP protection	IP65
Power	9-30Vdc

Dimensions	88.5 x 148 x 39.5 mm (W x H x D), stem length 53 mm
Weight	approximately 140g
Warranty	3 years