



COMET SYSTEM, s.r.o.

1.maje 1220

756 61 Roznov pod Radhostem

CZECH REPUBLIC

Tel.: +420 571 653 990

E-mail: info@cometsystem.com

T0118 Interior temperature transmitter with 4-20mA output



code: T0118

Ambient temperature transmitter. Indoor use.

Temperature transmitter is specially designed for use in exacting interiors in building energy management and HVAC systems. It designed for easy installation on ordinary KU68 wiring boxes for household switches and sockets.

Large dual line LCD is possible to switch off.

Computerized design ensures long term stability and fail indication. Transmitter is designed for use in non-aggressive environment.

Included in delivery:

- Traceable calibration certificate
- Quick start manual
- Free program TSensor for configuring of the transmitter is ready to [Download](#)

Features

APPLICATIONS - measuring and control of air temperature at:

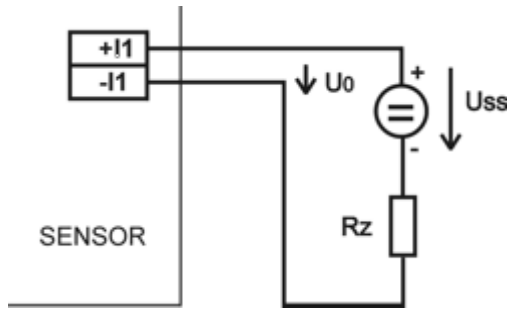
- building HVAC management
- building HVAC automation
- warehouses
- manufacturers
- museums, archives, galleries
- air-conditioned rooms Output is adjusted to maximum temperature range from the manufacturer.

To adjust other range by the user buying of SP003 cable is necessary - see Optional accessory.

[Free configuration program TSensor](#) for transmitter adjustment is ready to download anytime.

If different adjustment of output temperature range is required, please specify required range in the order. Adjustment is free of charge.

Ordering example: Thermometer T0118, output 0 to +30°C



Typical application wiring

Calculation of minimum power voltage U_{ss} for proper operation:

$U_{ss \text{ min}} > U_{o \text{ min}} + I_{\text{max}} * R_z$,

where: $U_{o \text{ min}} = 9 \text{ V}$

I_{max} ... approximately 20 mA

R_z ... sensing resistor (shunt)

Technical Data

Technical parameters	Value
Output	4-20mA
Measured Value	Temperature
Construction Type	Interior
Design	Interior
Temperature Measuring Range	-10 to 50 °C
Relay Output	No
Two-State Input	No
Lcd Display	Yes
PoE	No
Accuracy of temperature output	±0.5°C
Available temperature units	degrees Celsius, Fahrenheit
Temperature operating range	-10 to +50°C
Current output - two-wire connection	4-20mA
Configuration of output range	user adjustable from the PC
IP protection	IP20
Power	9-30Vdc
Dimensions	88 x 106 x 33 mm (W x H x D)
Material of the case	ABS
Color	white
Weight	approximately 150g
Warranty	3 years