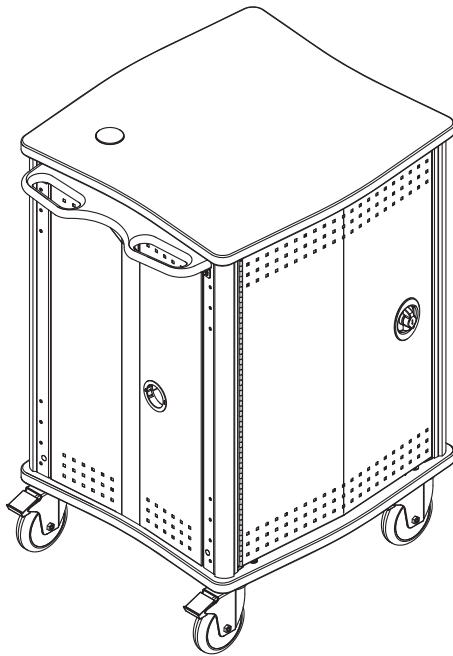


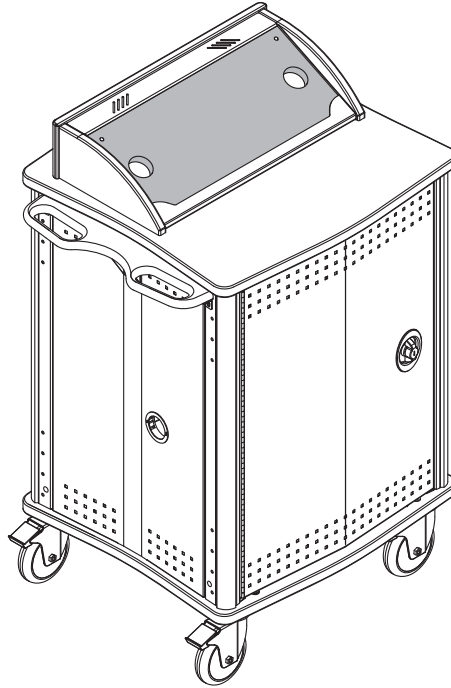
## Technical Specifications



205 Westwood Ave, Long Branch, NJ 07740  
Phone: 866-94 BOARDS (26273) / (732)-222-1511  
Fax: (732)-222-7088 | E-mail: sales@touchboards.com



Standard CPL  
with Balloon Wheels  
55218BW



CPL with Overbridge Control Console  
& Balloon Wheels  
55223BW  
shown with optional  
insert panel (shaded)

55218	Standard CPL
55223	with Overbridge Control Console™

Base Options	
BW - 4 Swivel Balloon Wheels	
TK - Toe Kick	

Options & Accessories	
Page 8	

### Color Options

Standard laminate / color combinations

Wild Cherry / Black (CHB)	
Indigo Organix / Black (IB)	
Indigo Organix / Dark Gray (ID)	
Bannister Oak / Black (KB)	
Bannister Oak / Putty (KP)	
Fusion Maple / Black (FMB)	

Standard color combination refers to the quickest deliverable product color combination. Custom laminates and color combinations are available-additional lead-times and up-charges may apply. Call 1-800-235-1262 for further information.

The Compact Presentation Lectern was designed for our customers needing the mobility that comes with a small footprint and the flexibility that comes with rack rail compatible equipment. This outstanding teacher podium can accommodate audio visual equipment for presentations, store and charge computing devices for students, or secure valuables with rack-mounted shelves. The CPL has much more flexibility than a standard computer podium. Use any rack-mounted resource for whatever task you need the CPL to perform – wherever you need it to be.

## Features and Benefits

- Durable powder coated steel chassis
- Overbridge console version allows custom cutouts and installation of presentation controllers and control panels
- Scratch and impact-resistant 1 1/8" high-pressure laminate worksurface
- Four 5" locking balloon wheels roll easily and quietly on uneven surfaces
- Toe Kick (TK) version available when mobility is not necessary or desired
- 2" cable grommet(s) on the worksurface or overbridge provide cable access
- One standard recycled plastic handle provides control and mobility
- Rack-rail simplifies equipment installation, while providing enough storage space for an internal CPU
- Double-bolt, keyed locking front and rear doors provide security and easy-access
- Ventilated side panels and doors help keep equipment cool
- Cable grommets keep wires and cords organized
- 15' retractable UL-listed, 15-amp power cord reel provides quick and easy power-access
- Standard 8-outlet power strip included
- Optional adjustable-height, flip-up shelf provides a convenient additional worksurface
- Warranted to be free of all defects in materials and workmanship with a 10-year warranty

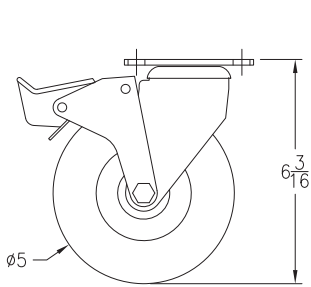
# Construction

- The worksurface and base panel is constructed from 1 1/16" thick NAUF (no added urea formaldehyde) composite board with .030 high-pressure laminate on one face, and a balancing phenolic backer on the opposing face
- 16-gauge steel doors and corner columns
- Worksurface edges are covered with 3mm vinyl
- All metal components are finished with a scratch-resistant powder coat epoxy
- Each CPL factory-assembled w/ casters or toe kick, packaged, and shipped on its own skid (handle to be installed by customer)

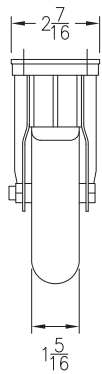
# Specifications

Total internal area	21 1/2"W x 20 1/2"D x 30 1/2"H
Standard rack rail	16RU
5" balloon wheels	weight capacity 325 lbs each
Standard cord reel	15' retractable, 15-amp, 12AWG, with breaker, UL-listed
Available cutout area in blank overbridge panel	14 1/4"W x 8"D
Optional flip-up shelf	18"W x 20 5/8"D x 1" thick, 50 lbs max capacity
Cord reel	15' retractable, 15-amp, 12AWG, with breaker, UL-listed caster versions: mounted under lectern toe kick versions: mounted inboard
Unit weight (nominal)	129 lbs - 55218 148 lbs - 55223 (w/ overbridge)
Shipping weight (nominal)	164 lbs - 55218 185 lbs - 55223 (w/ overbridge)
Meets or exceeds applicable ANSI-BIFMA test standards	

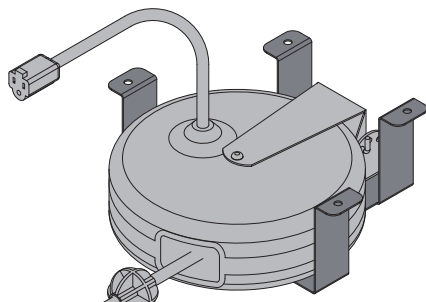
Specifications subject to change without notice



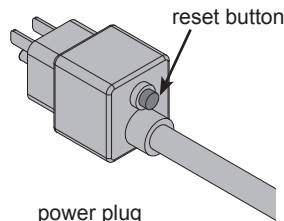
5" balloon wheel



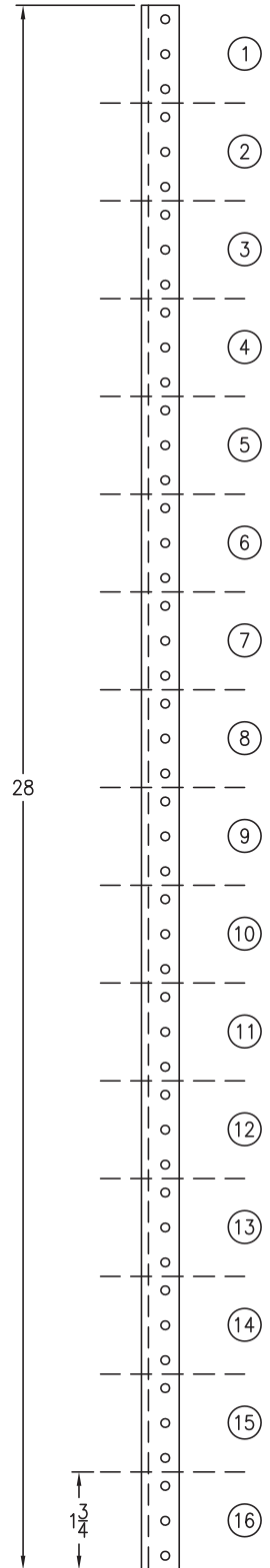
Note: The CPL comes with rack rails mounted in the front (instructor-side) position. They can be moved to the rear position (student-side) if required. Optional rear rack rails are also available.



cord reel with 15' cord

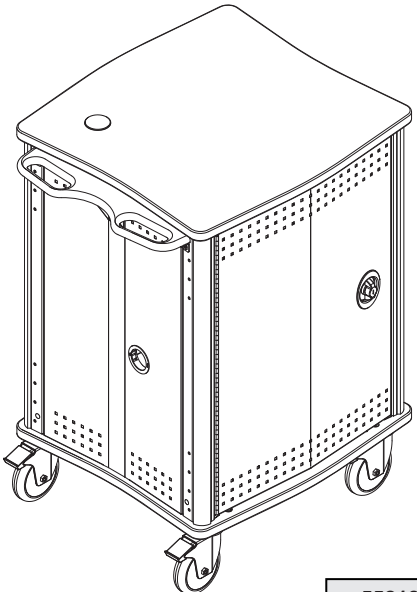
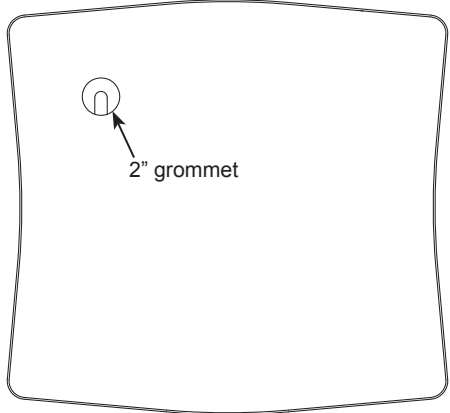
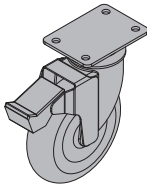
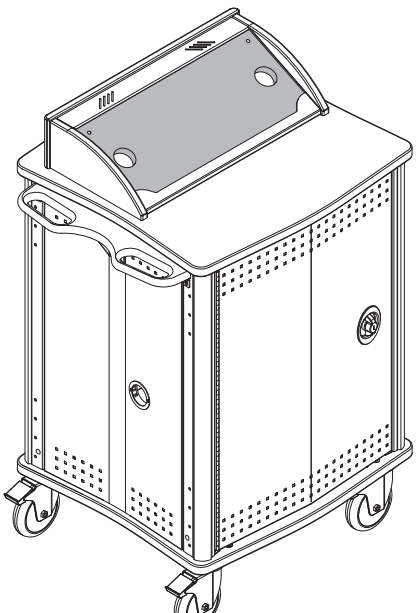
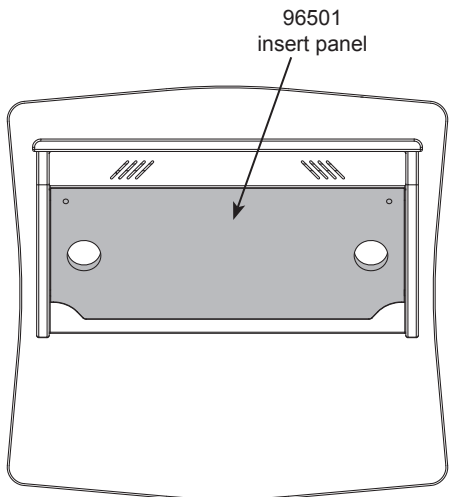
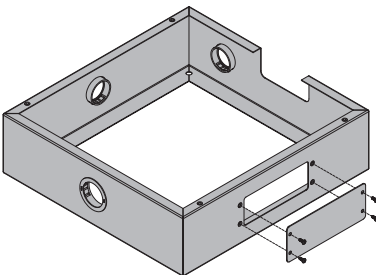


power plug

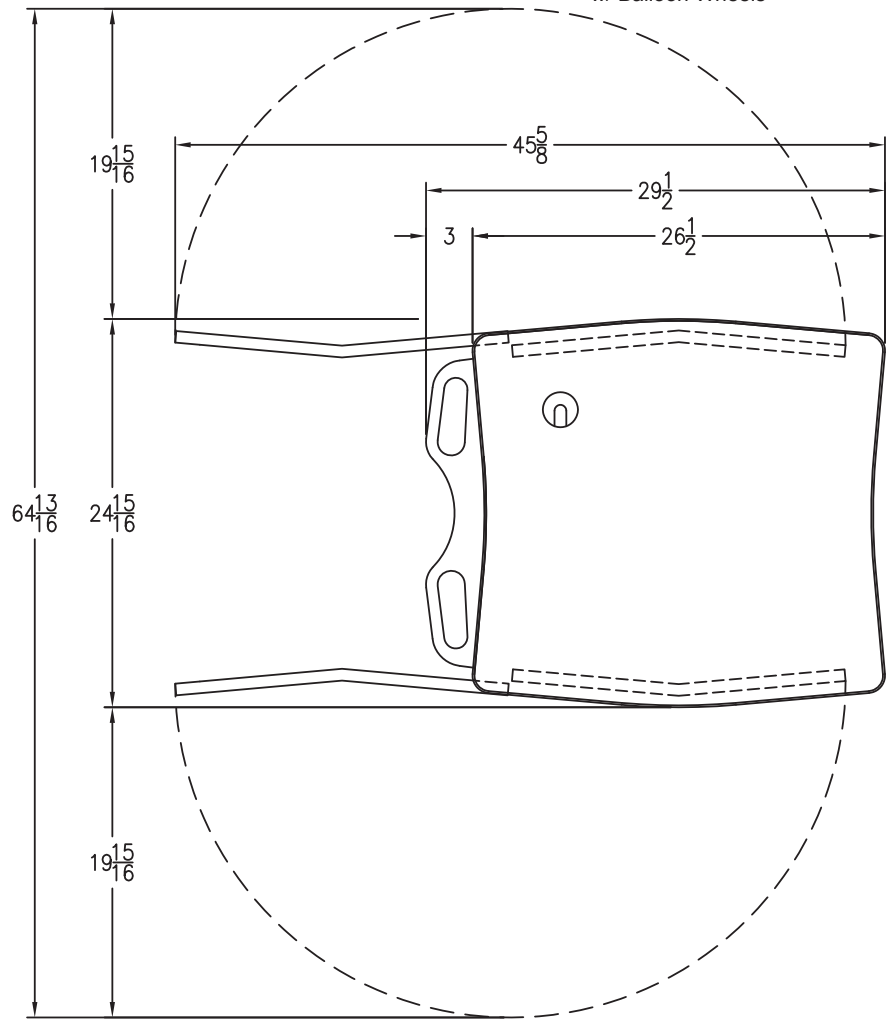
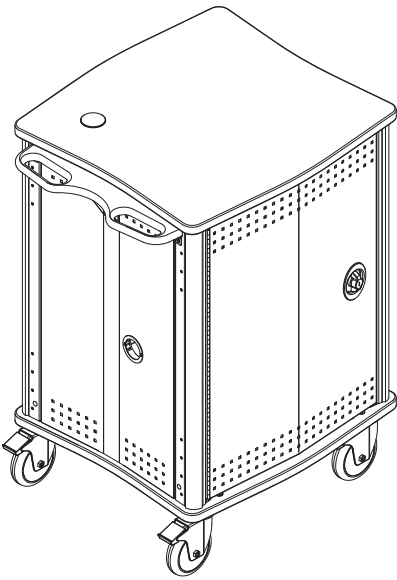


16RU available

# Models

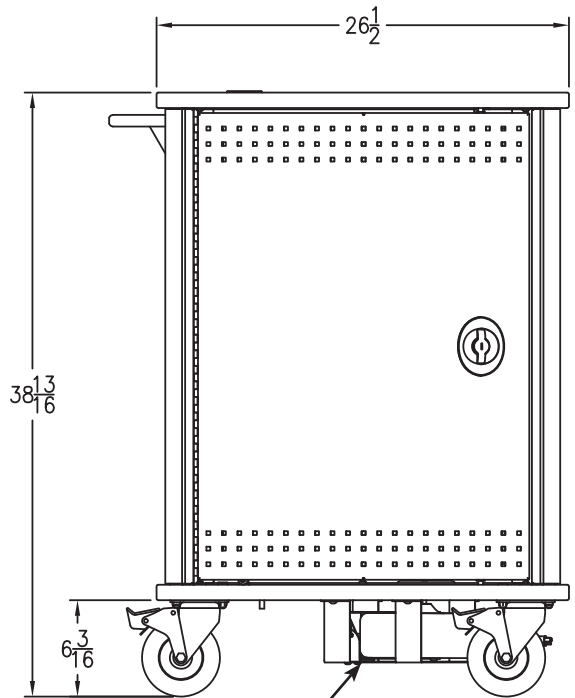
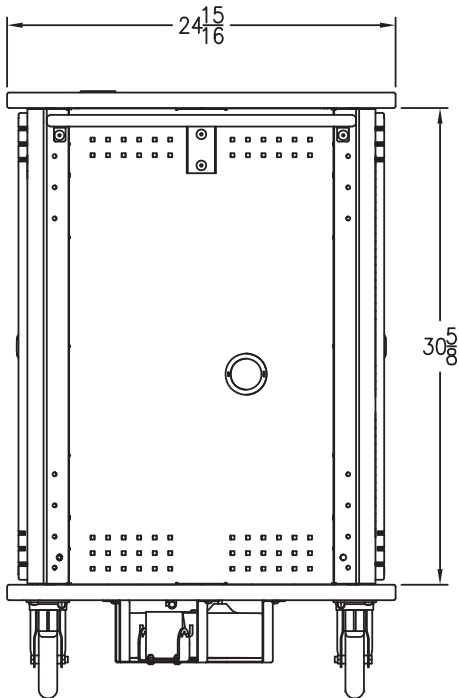
	Worksurface:	Base Options:
<p style="text-align: center;"><b>Standard CPL</b></p>  <p style="text-align: right;"><b>55218</b></p>	 <p style="text-align: center;">Blank worksurface with one 2" grommet in worksurface.</p>	 <p style="text-align: center;">X 4 <b>BW</b> 5" Swivel Balloon Wheels</p>
<p style="text-align: center;"><b>CPL w/ Overbridge Control Console</b></p>  <div data-bbox="129 1711 552 1837" style="border: 1px solid black; padding: 5px;"> <p>Note: The insert panel shown (<i>shaded</i>) is <u>not</u> included with the lectern or overbridge. This option needs to be ordered separately to complete the overbridge.</p> </div> <p style="text-align: right;"><b>55223</b></p>	 <p style="text-align: center;">Overbridge with blank insert panel for custom cutouts (see p.7 for dimensions). Overbridge is not available separately. Includes two 2" grommet holes with covers.</p>	 <p style="text-align: center;">X 4 <b>TK</b> Toe Kick</p>

Compact Presentation Lectern  
w/ Balloon Wheels



Note: The handle and optional shelf are interchangeable and can be mounted on either side.

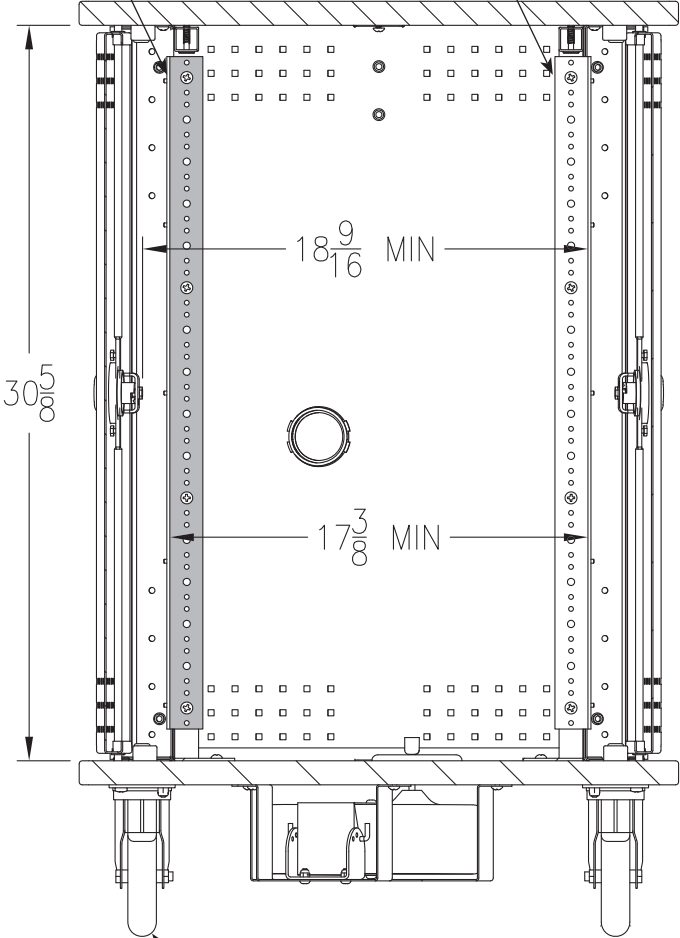
Note: Modified worksurface cutouts should be reviewed by Spectrum to ensure clearance of brackets, keyboard slides, or other objects under the worksurface.



standard 15' retractable  
cord reel (15-amp)

CPL section view

optional rear rack rail  
standard front rack rail

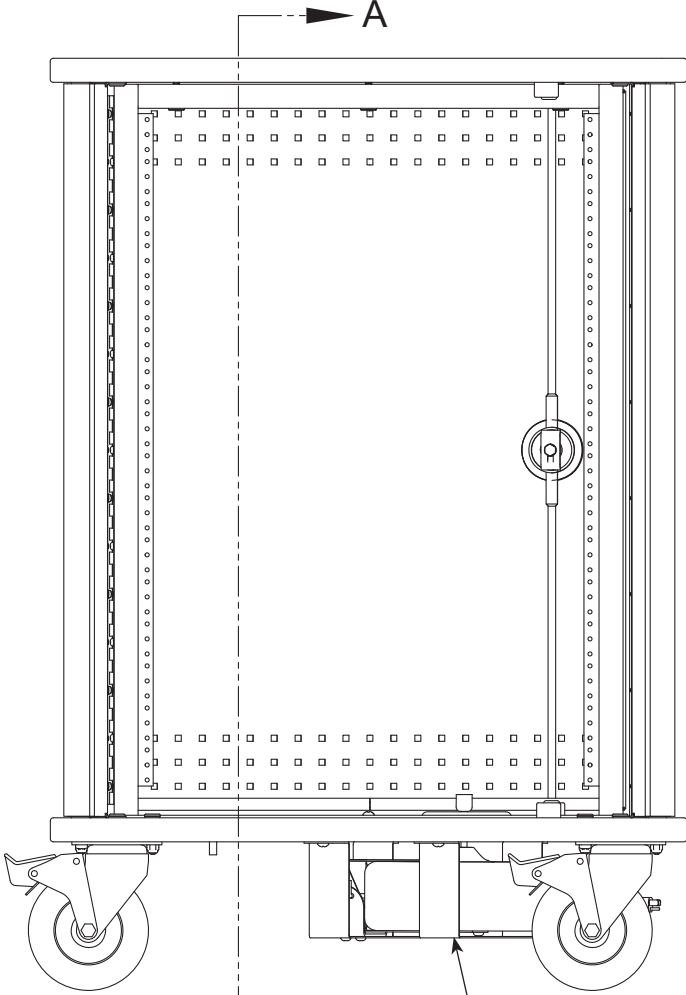


30 <sup>5</sup>/<sub>8</sub>

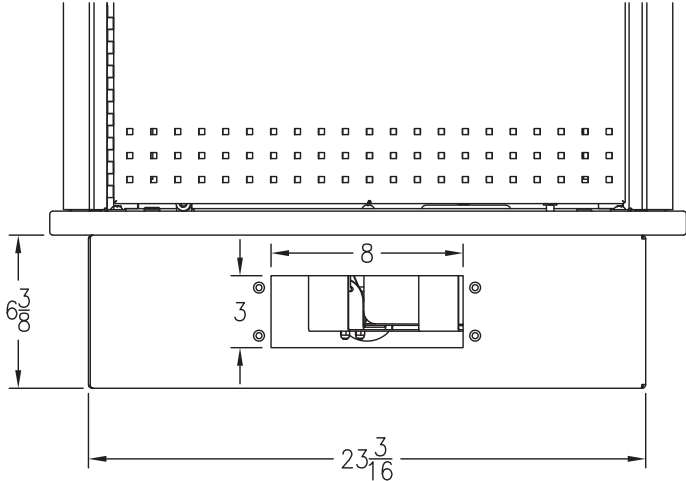
18 <sup>9</sup>/<sub>16</sub> MIN

17 <sup>3</sup>/<sub>8</sub> MIN

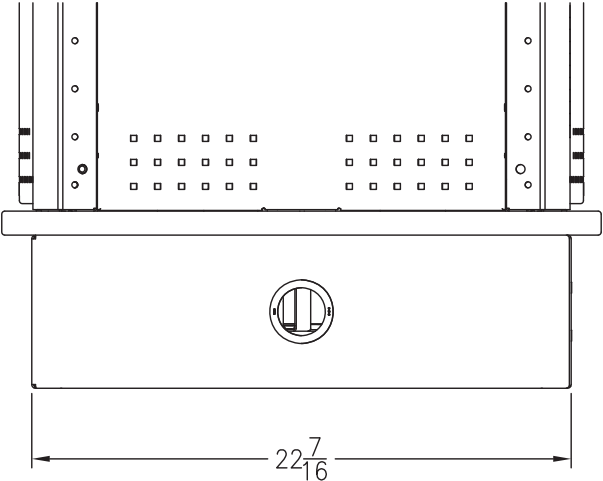
5" balloon wheels



standard 15' retractable cord reel (15-amp)

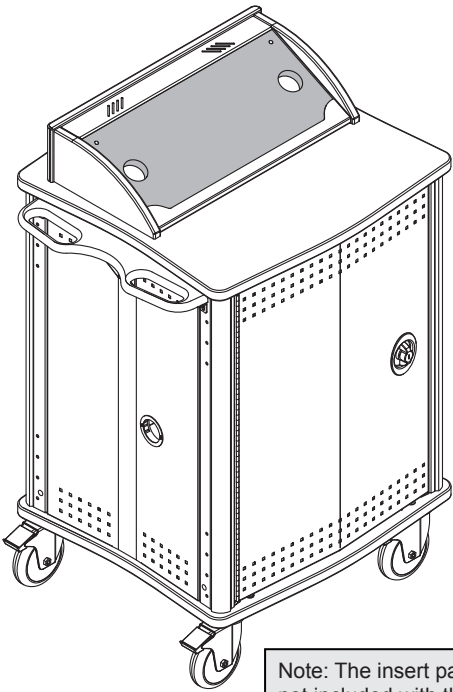


Toe Kick front view

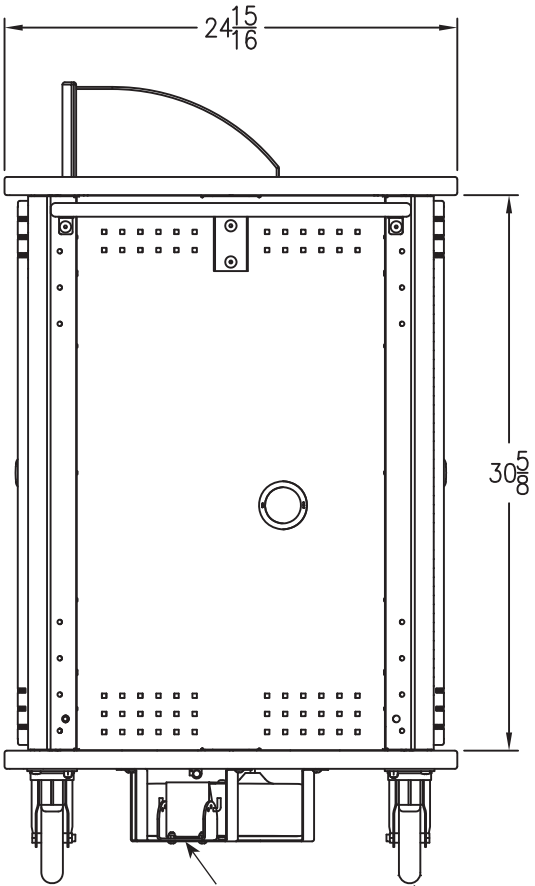
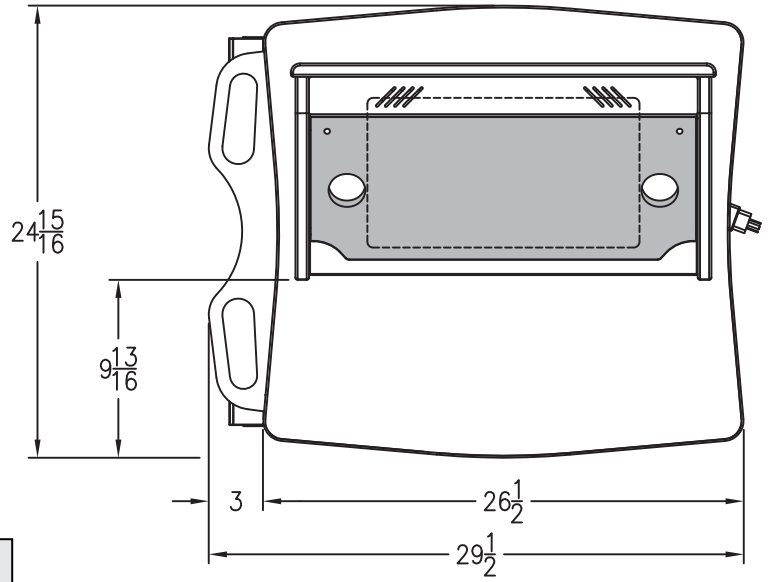


Toe Kick side view

Compact Presentation Lectern  
w/ Overbridge Control Console™ & balloon wheels

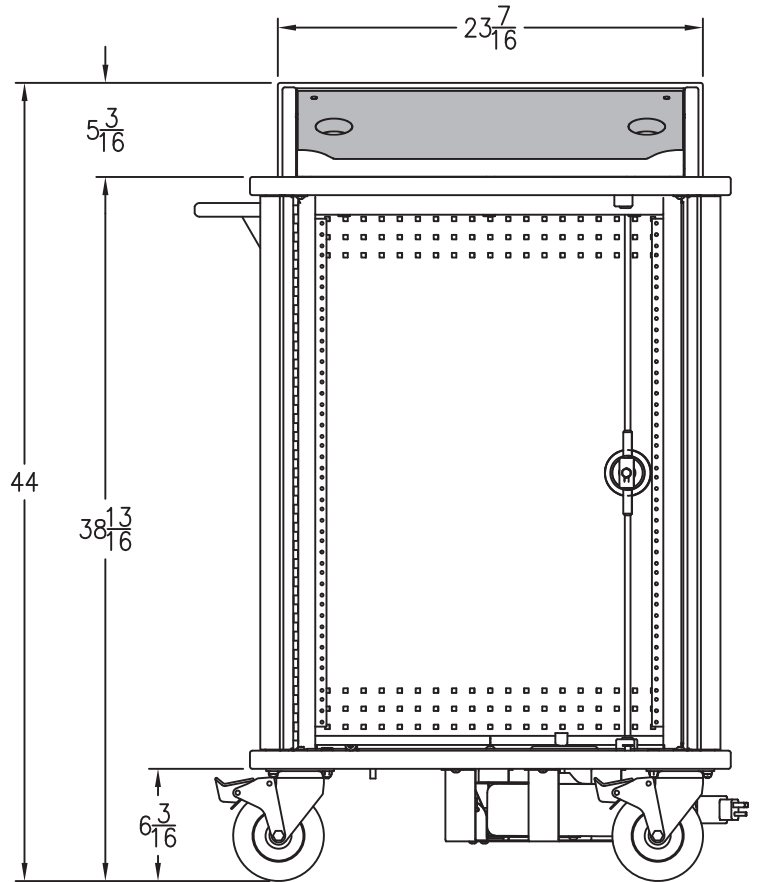


Note: The insert panel shown (*shaded*) is not included with the lectern or overbridge. This option needs to be ordered separately to complete the overbridge.



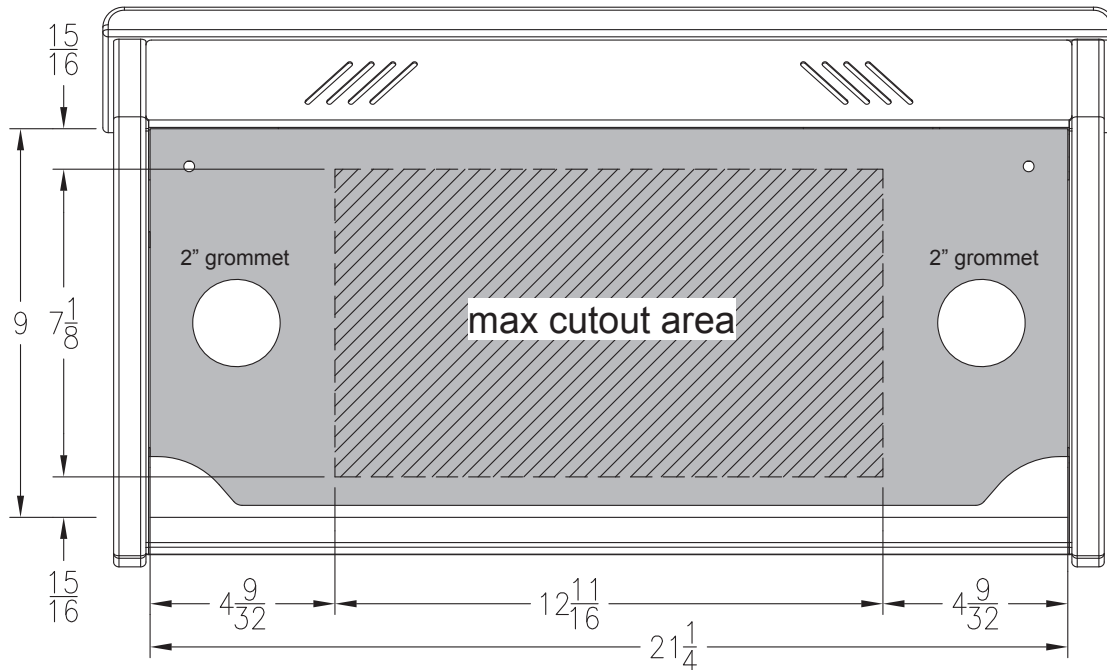
standard 15' retractable cord reel (15-amp)

5" balloon wheels

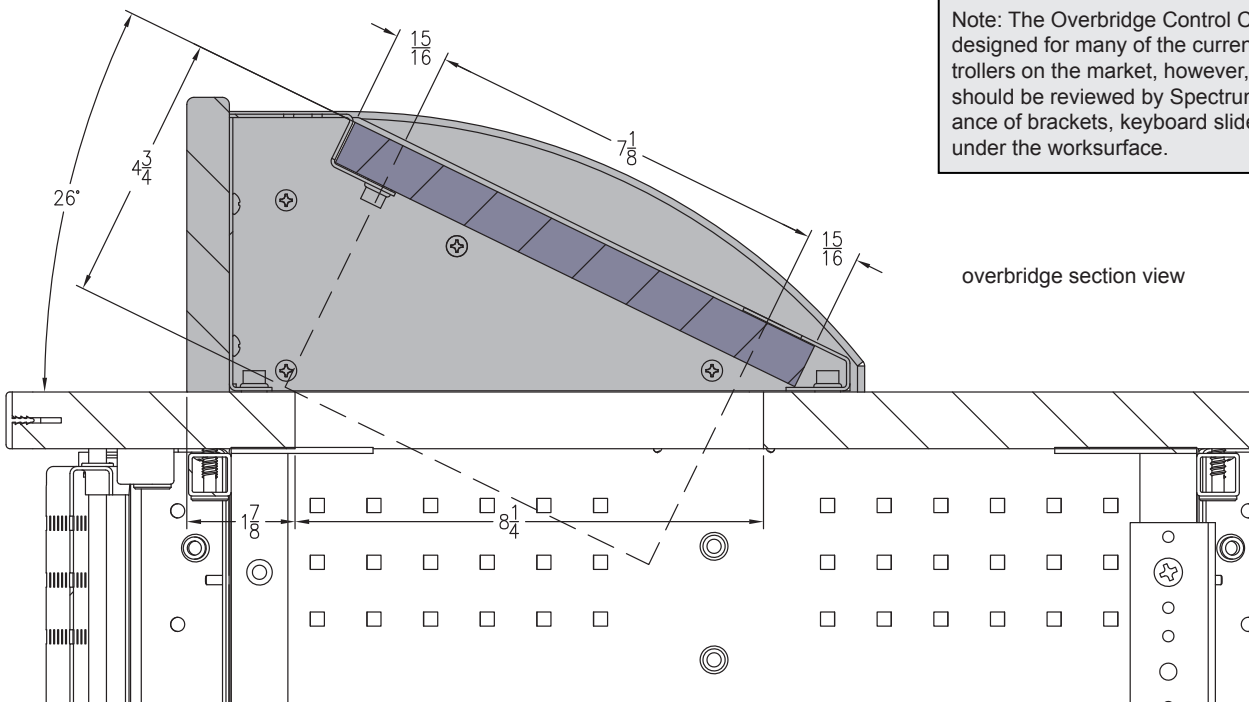


(shown w/ door removed)

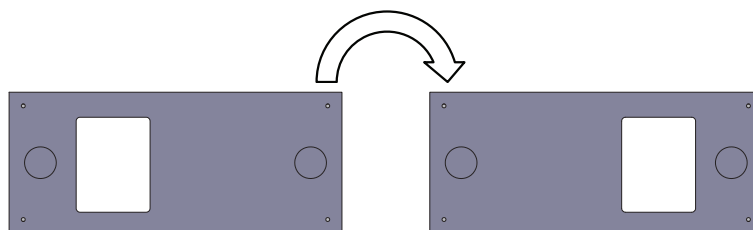
CPL overbridge panel blank  
(flat view)



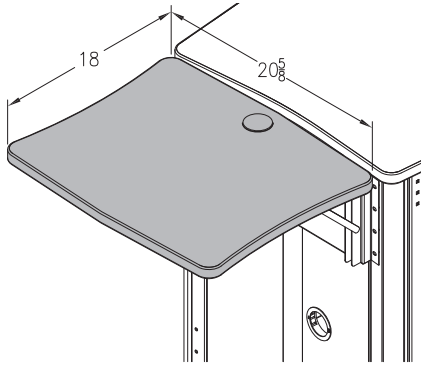
Note: The Overbridge Control Console™ has been designed for many of the currently available controllers on the market, however, modified cutouts should be reviewed by Spectrum to ensure clearance of brackets, keyboard slides, or other objects under the worksurface.



Note: The insert panel shown (shaded) is not included with the lectern or overbridge. This option needs to be ordered separately to complete the overbridge. This insert panel is horizontally symmetrical and can be easily removed, rotated, and re-installed if a cutout needs to be relocated to the opposite side of the overbridge.

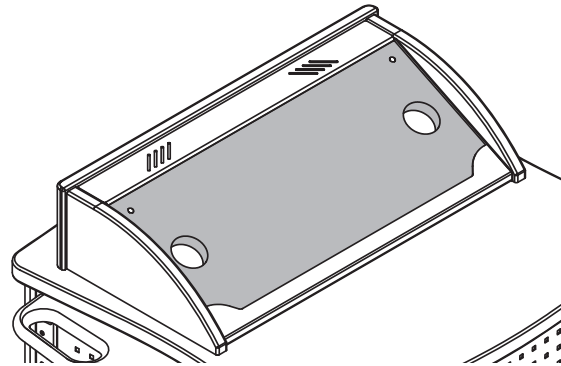


# Options



### Flip-up Shelf

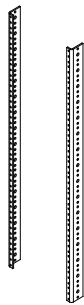
adjustable-height, mounts on left or right  
 18"W x 20<sup>5</sup>/<sub>8</sub>"D  
 (50 lbs max load)  
 55219



### Overbridge Insert Panel

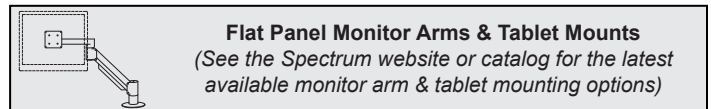
for overbridge version only-contact Spectrum to specify cutout size(s) & position(s)-overbridge not available separately  
 (includes two 2" grommets w/ covers)  
 96501 - blank panel  
 96501mod - panel with cutout(s)

Note: Power & communication wiring for document cameras, laptop computers, and/or projectors placed on the flip-up shelf should be routed on top of the audience-side of the shelf. Use of the shelf grommet hole for wiring will result in pinching of the cords when the shelf is folded.



### Rear rack rail kit for CPL

adds 16RU (17<sup>3</sup>/<sub>8</sub>" between front and rear rails when installed)  
 55221



### Flat Panel Monitor Arms & Tablet Mounts

(See the Spectrum website or catalog for the latest available monitor arm & tablet mounting options)

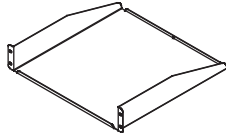
*Worksurface drilling required to mount in the CPL*



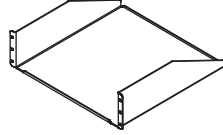
# Rack-mount accessories

Note: Rack-mount accessories with a depth greater than 18 $\frac{5}{16}$ "D will not fit in the CPL. Check the dimensions of all equipment before installation. The following Spectrum rack-mount accessories will not fit the CPL:

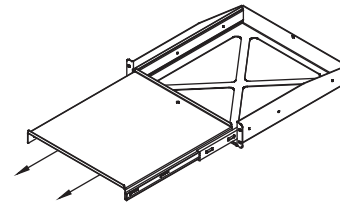
97517 - LT-4 Laptop Storage Unit  
97503 - Pull-out Shelf (3RU)



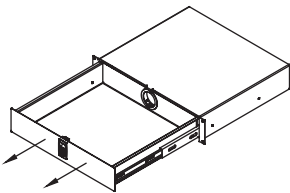
**Cantilever Shelf (2RU)**  
17 $\frac{1}{2}$ "W x 18"D x 3 $\frac{1}{2}$ "H  
(50 lbs max load)  
97504



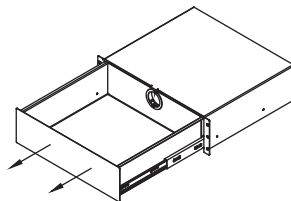
**Cantilever Shelf (3RU)**  
17 $\frac{1}{2}$ "W x 18"D x 5 $\frac{1}{4}$ "H  
(80 lbs max load)  
97502



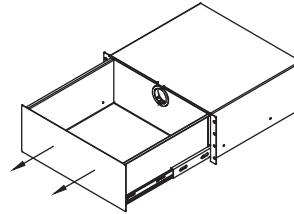
**Pull-Out Shelf (2RU)**  
16 $\frac{1}{2}$ "W x 17 $\frac{3}{4}$ "D  
(50 lbs max load)  
97505



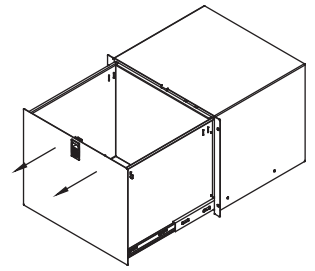
**Locking Drawer (2RU)**  
interior dims:  
15 $\frac{3}{4}$ "W x 13 $\frac{1}{16}$ "D x 2 $\frac{7}{8}$ "H  
(25 lbs max load)  
97514



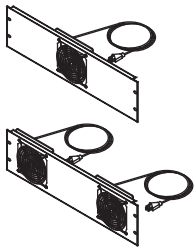
**Drawer (3RU)**  
interior dims:  
15 $\frac{15}{16}$ "W x 14 $\frac{1}{2}$ "D x 5 $\frac{1}{4}$ "H  
(50 lbs max load)  
97518



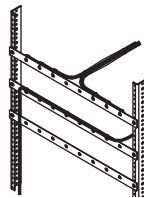
**Drawer (4RU)**  
interior dims:  
15 $\frac{15}{16}$ "W x 14 $\frac{1}{2}$ "D x 7"H  
(50 lbs max load)  
97519



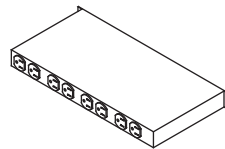
**Locking File Drawer (8RU)**  
w/ file holder  
interior dims:  
15 $\frac{3}{4}$ "W x 13 $\frac{3}{16}$ "D x 13 $\frac{3}{16}$ "H  
(50 lbs max load)  
97515



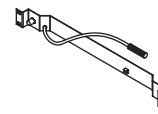
**Cooling Fans (3RU)**  
19"W x 2"D x 5 $\frac{1}{4}$ "H  
Single Fan-97507  
Double Fan-97506



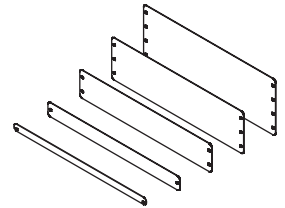
**Wire Lace Kit**  
3 lace straps included  
95517



**9-Outlet Power Strip (1RU)**  
19"W x 9"D x 1 $\frac{3}{4}$ "H  
99021



**Flexible Halogen Light (1RU)**  
19"W x 2"D x 1 $\frac{3}{4}$ "H  
99033



**Rack-Mount Blanks**  
(fills rack spaces where components are not needed)

- 97516 - (1/2 RU)
- 97510 - (1RU)
- 97511 - (2RU)
- 97512 - (3RU)
- 97513 - (4RU)

# Warranty

## WE WILL MAKE IT RIGHT FOR YOU!

Spectrum is committed to provide complete customer satisfaction. Each of our products are manufactured from the best materials available and each product is stringently monitored throughout the production process through our P.A.C.E. program (Product Assurance to meet Customer Expectations). Our Customer Service Help Line 1-800-235-1262 is ready to provide immediate attention to any questions, comments or concerns. We are available to answer your calls Monday through Friday from 7 am to 5 pm CST, excluding observed holidays. In addition your product comments or concerns are welcome via e-mail at: [spectrum@spectrumfurniture.com](mailto:spectrum@spectrumfurniture.com).

## Warranty Statement

We guarantee all Spectrum products to be free of all defects in materials and workmanship, for the original owner, for a period of ten years. Any item deemed defective by Spectrum or the original manufacturer, under normal use conditions, will be repaired or replaced at Spectrum's discretion. This warranty applies to all products manufactured and distributed by Spectrum except the products listed below.

Items that have a varying warranty include, but are not limited to, the following:

- Adjustable Crank/Electric Desk Legs (1 yr)
- Flat Panel Desk Gas Cylinders (1 yr)
- Upholstered Soft-Goods (5 yrs)
- Adjustable Height & Stacking Chair Parts – including frames, gas cylinders, wood and plastic parts, and control handles (7 yrs)
- Adjustable Height & Stacking Chair Casters (2 yrs)
- Chair Upholstery & Textiles (2 yrs of normal use of Soft Goods, Adjustable Height, Stacking, Wood and Metal Chairs)
- Chair Upholstery - Graded-In Fabrics and C.O.M (no warranty)
- Height Adjustable Columns and Lifts (1 yr)
- General Use Casters (1 yr)
- Electrical – Electri-Pak, Power Communication Modules, and special order ECA electrical items (1 yr)
- Electrical - Power Strips & Electrical Timers (1 yr)
- Electrical Surge Suppressors (lifetime)
- Electrical - Retractable Power Cords (1 yr)
- Keyboard/Mouse Trays (1 yr)
- Flat Panel Monitor Arm – General Parts (5 yrs)
- Flat Panel Monitor Arm – Gas Cylinders (2 yrs)
- CRT Monitor Arm (1 yr)

Warranty is void if product is not used for its intended purpose or subjected to an unusual application, multiple-shift use, alteration, accident, abuse or abnormal wear and tear. Representations of colors on-line and in printed materials are meant to be a close reference to the actual colors but not an exact match. Slight variations in color and texture of wood stains, powder coating, laminates, fabrics and other materials are normal in different manufacturing lots; as such these variations are not considered defects.

**DESIGNED FOR INDOOR USE ONLY** – Unless specifically stated in the product specifications, Spectrum's products have been designed and constructed for indoor use only. Moving or using outdoors, or on excessively rough surfaces, may cause damage to the products and will void the warranty. If an outdoor application is desired please contact us to discuss potential custom design solutions.

**The warranty, as stated above, supersedes any previous warranties and is effective as of 9/1/2010**

# Touchboards

205 Westwood Ave, Long Branch, NJ 07740  
Phone: 866-94 BOARDS (26273) / (732)-222-1511  
Fax: (732)-222-7088 | E-mail: [sales@touchboards.com](mailto:sales@touchboards.com)

 **SCS**certified™

**INDOOR AIR QUALITY**  
Indoor Advantage | Furniture

**ISO 9001:2008**  
Certified Company

**SPECTRUM**  
INDUSTRIES INC.

925 First Avenue, PO Box 400, Chippewa Falls, WI 54729 Ph: 800-235-1262, 715-723-6750 Fax: 800-335-0473, 715-738-2309

E-mail: [spectrum@spectrumfurniture.com](mailto:spectrum@spectrumfurniture.com) web: [www.spectrumfurniture.com](http://www.spectrumfurniture.com)

revised 11/4/13