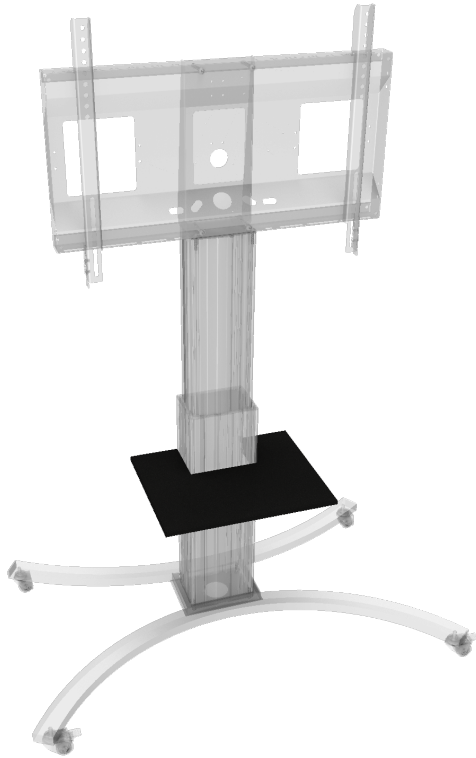


## FRONT SHELF

CONNECTS TO CENTRAL ALUMINUM COLUMN



### PRODUCT

Sturdy front shelf can be connected to the central column.

### FEATURES

- › Compatible with SCETA and SCEXL series
- › Front shelf connects to the central column
- › Dimension: W/H/D 500x20/60x400 mm
- › Steel 2mm
- › Powder coated in black, RAL 9005
- › Assembly material included (4x sliding block with thread, 4x nut with integrated washer)
- › Carries up to 10 kg

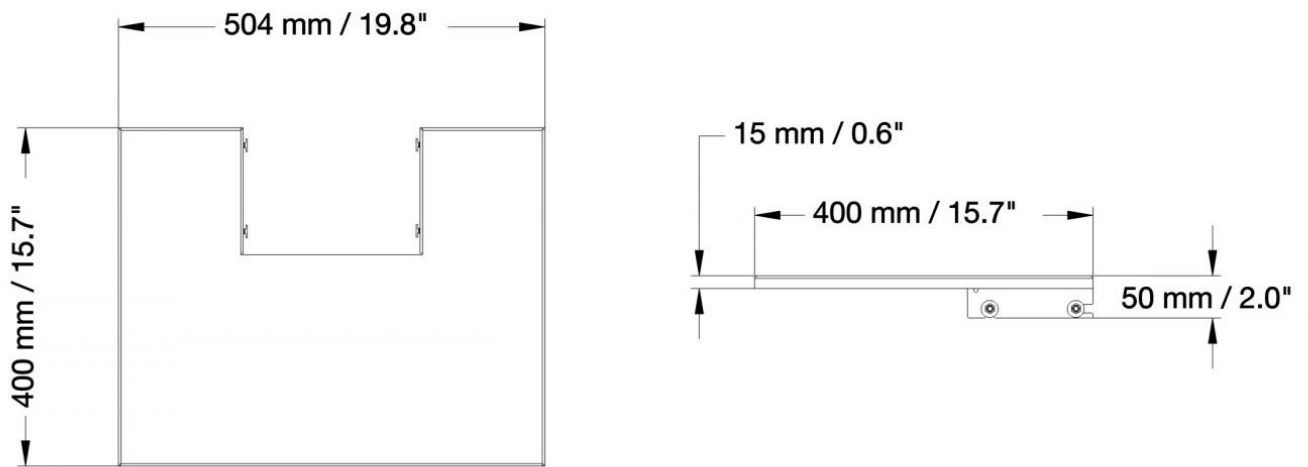


Max. load  
10 kg / 22 lbs

Item number	FSH-SM	
Load capacity	10 kg	22 lbs
Width / Height / Depth	504 mm / 15 mm - 50 mm / 400 mm	19.8" / 0.6" - 2" / 15.7"
Weight	3,4 kg	7.5 lbs
Packages	Package dimensions WxHxD	Package weight
FSH-SM	530 x 60 x 430 mm / 20.9 x 2.4 x 16.9"	3,9 kg / 8.5 lbs

DIMENSIONS

in mm / inch



MANUFACTURER:

**Conen Produkte GmbH**  
 Conenstr. 4  
 54597 Morbach-Gonzerath / Germany

Phone: +49 (0) 6533 75-100  
 Fax: +49 (0) 6533 75-600  
 E-Mail: info@conenmounts.com

AMERICAS, CANADA, WESTERN EUROPE  
 (EXCEPT UK AND BENELUX), ASIA-PACIFIC:

**Luc van der Sterren**

Phone: +49 (0) 6533 75-311  
 E-mail: Luc@conenmounts.com

BENELUX, UNITED KINGDOM, EASTERN  
 EUROPE, MIDDLE EAST AND AFRICA:

**Arnaud Gielen**

Phone: +49 (0) 172 655 846 1  
 E-Mail: Arnaud@conenmounts.com