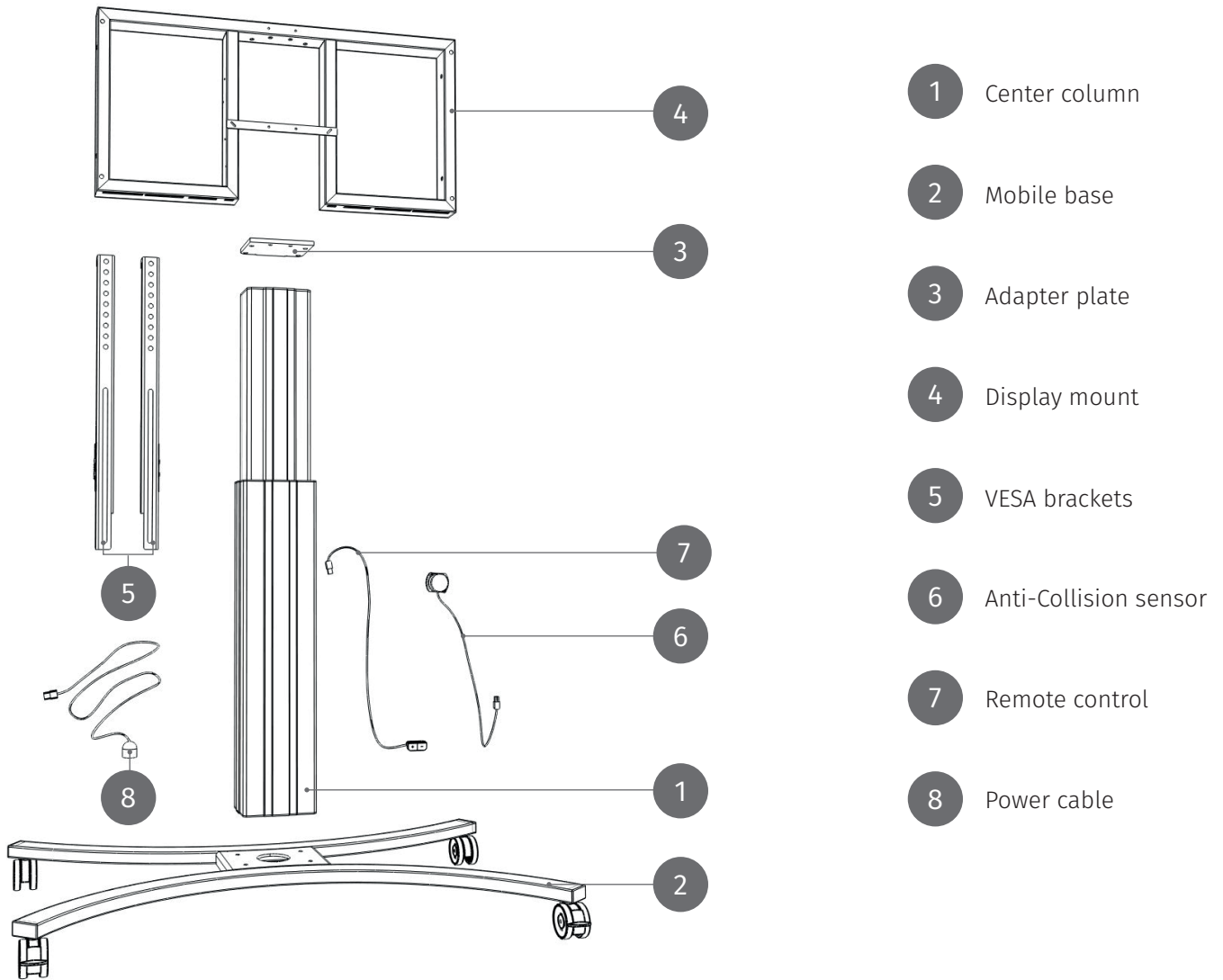


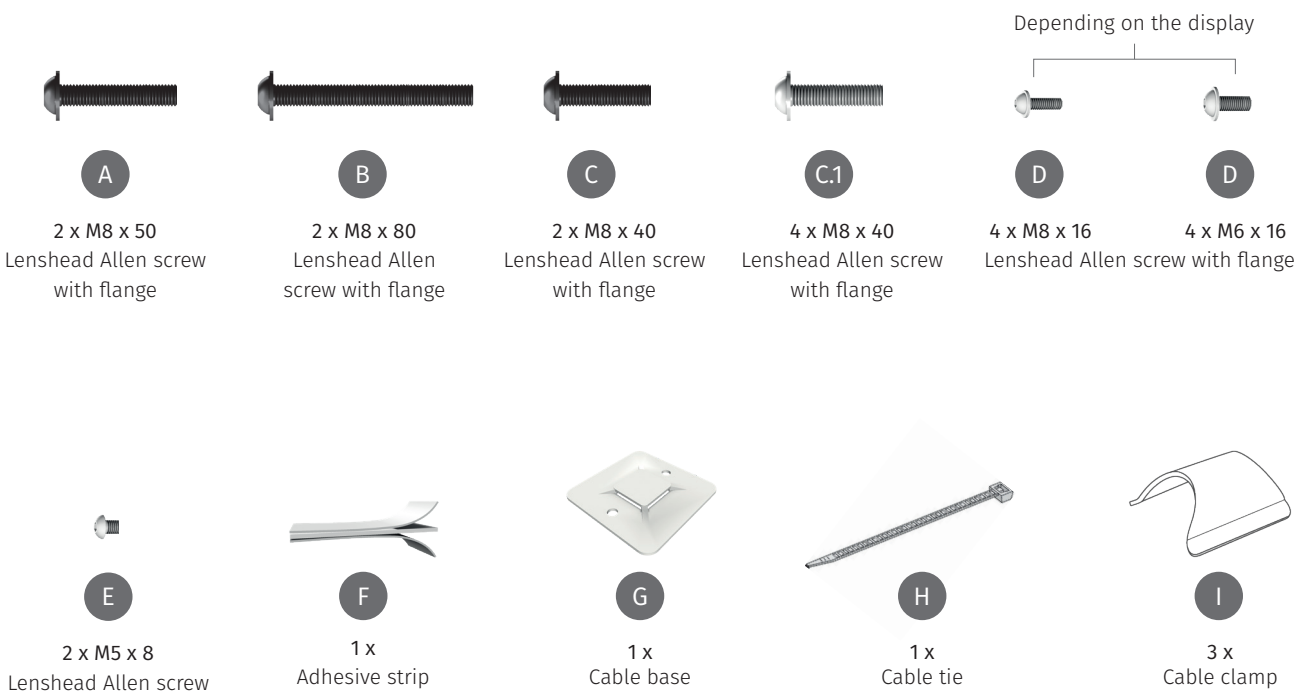
## Adjustable Mobile Stand with anti-collision



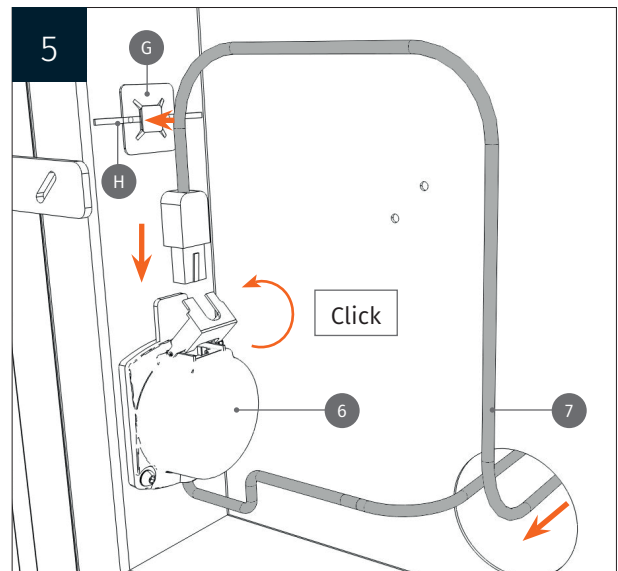
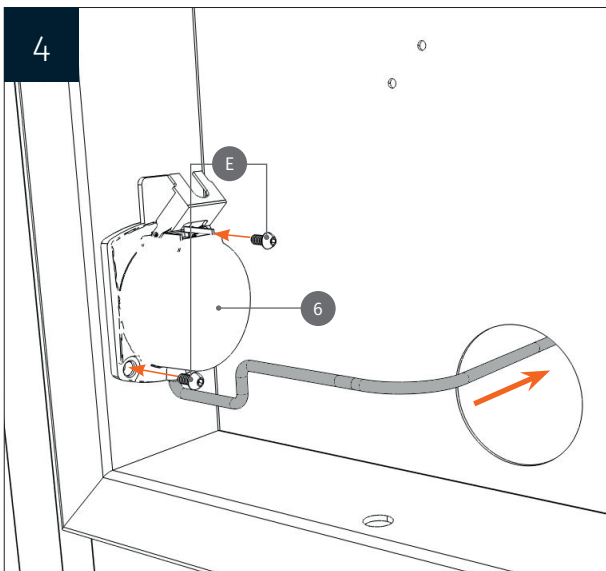
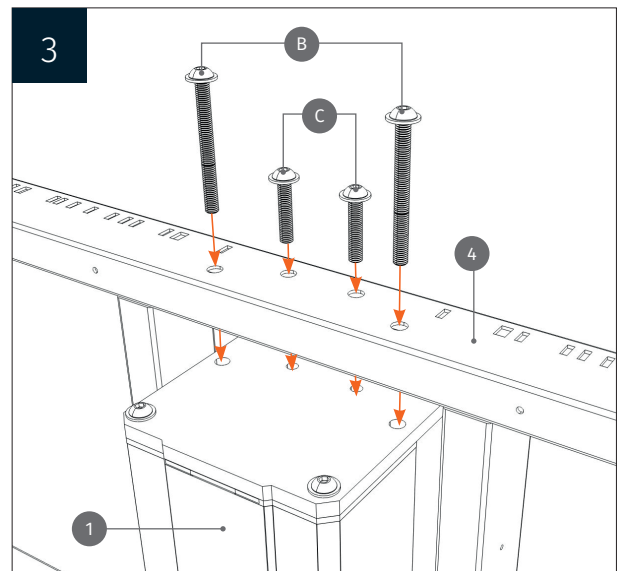
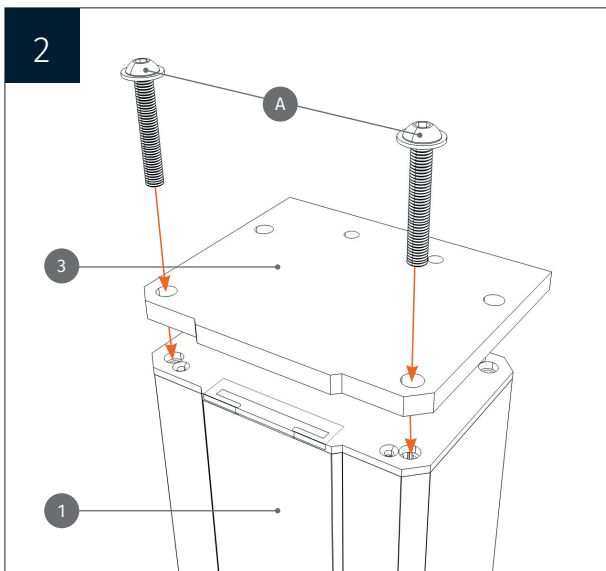
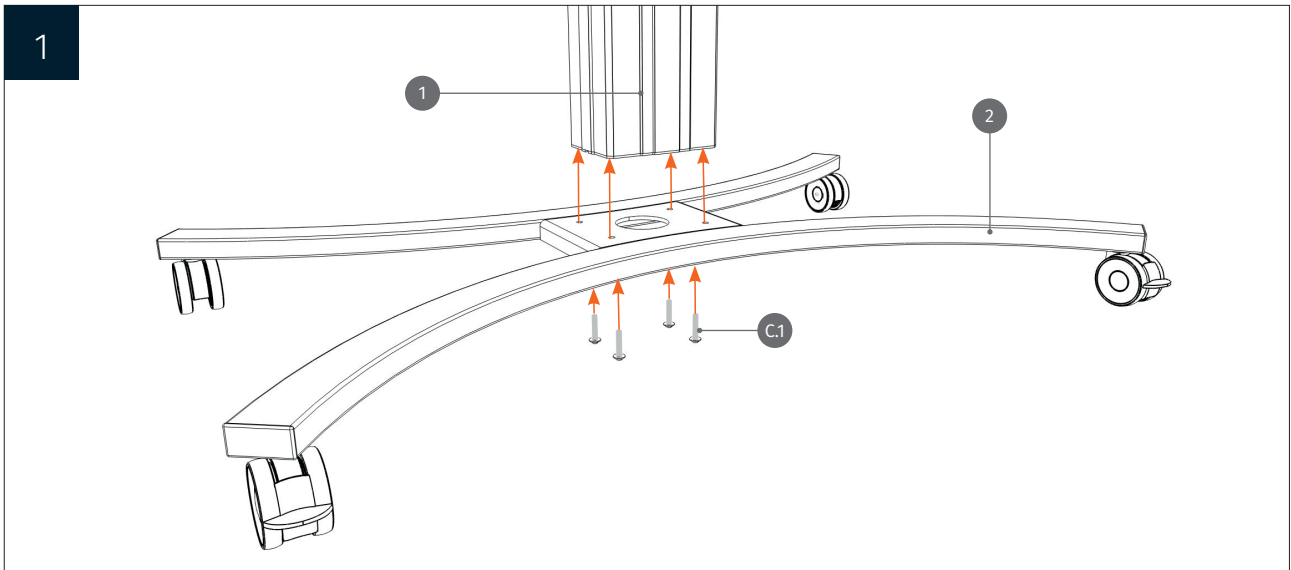
# PACKAGE CONTENTS



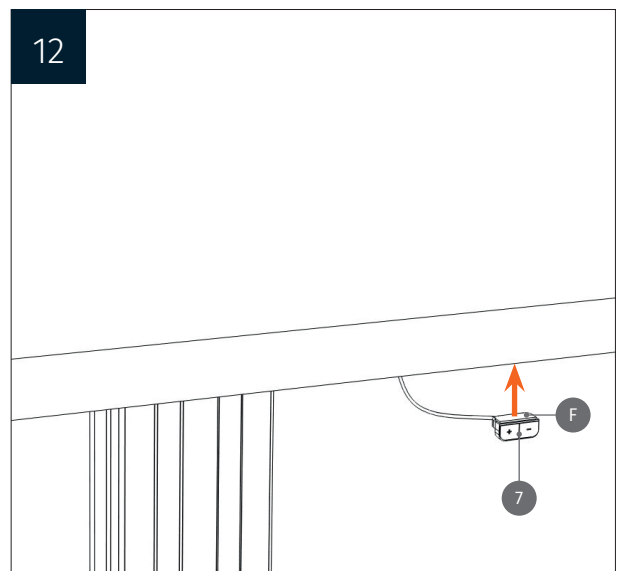
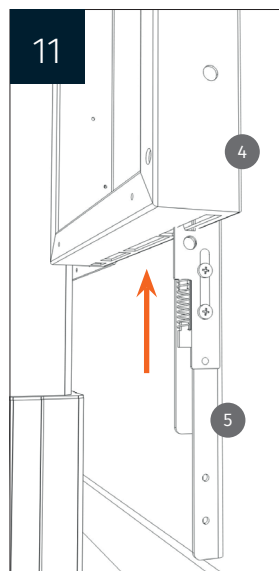
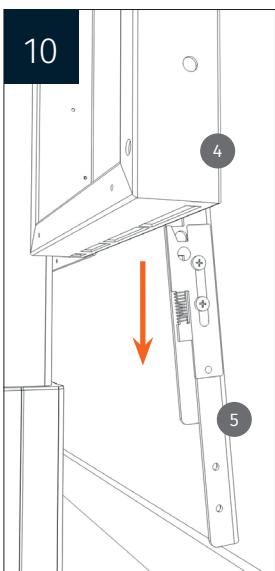
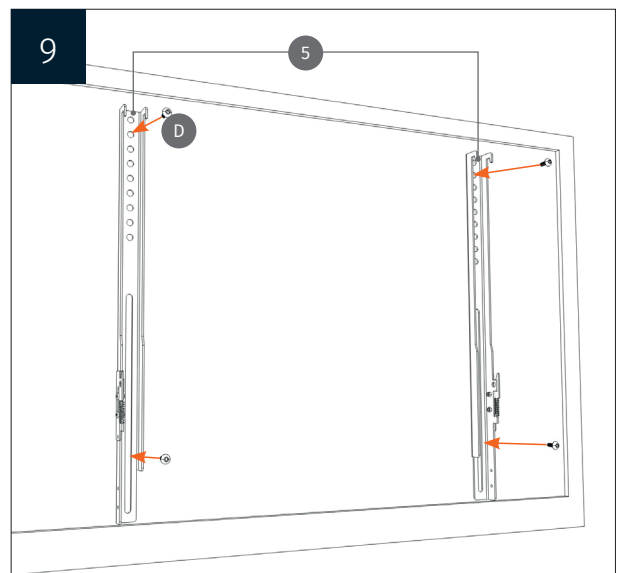
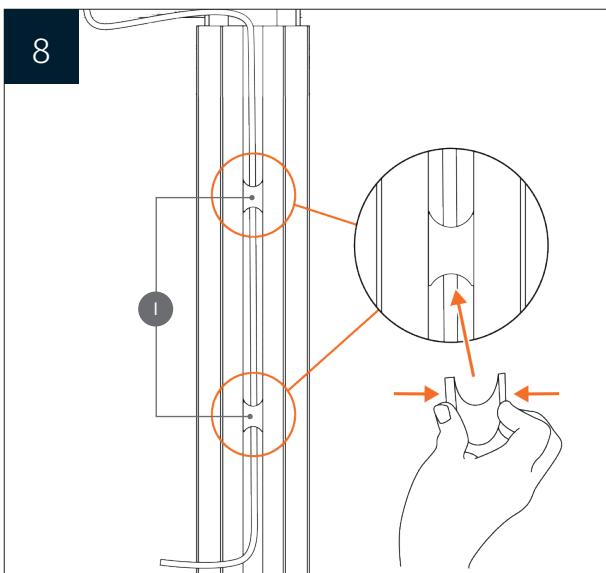
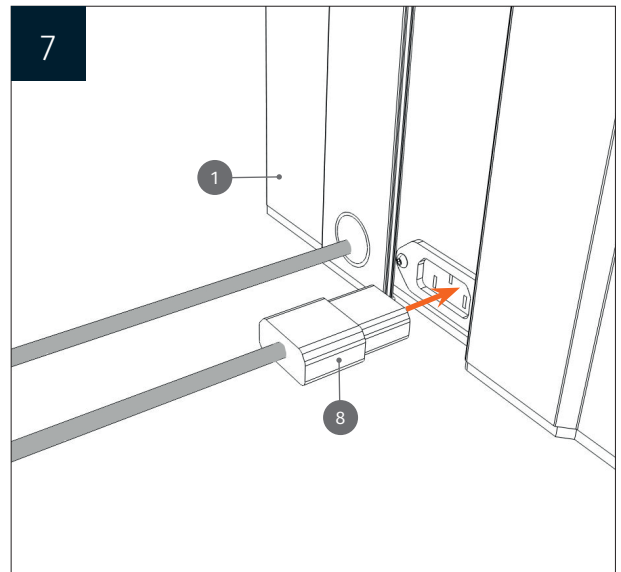
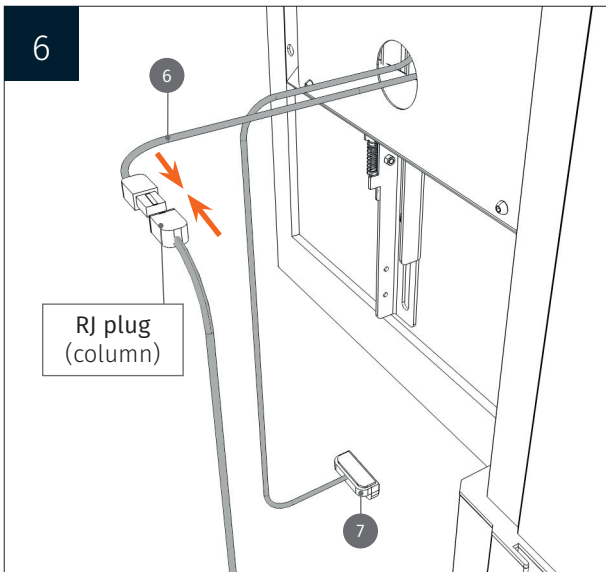
- 1 Center column
- 2 Mobile base
- 3 Adapter plate
- 4 Display mount
- 5 VESA brackets
- 6 Anti-Collision sensor
- 7 Remote control
- 8 Power cable



# MOUNTING INSTRUCTIONS



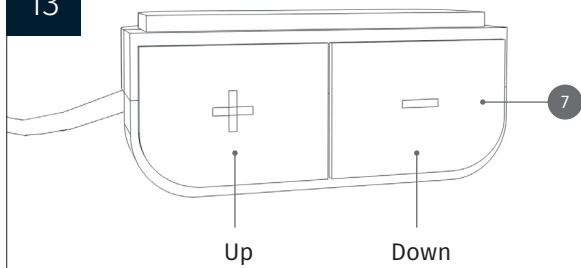
# MOUNTING INSTRUCTIONS



## MOUNTING INSTRUCTIONS

---

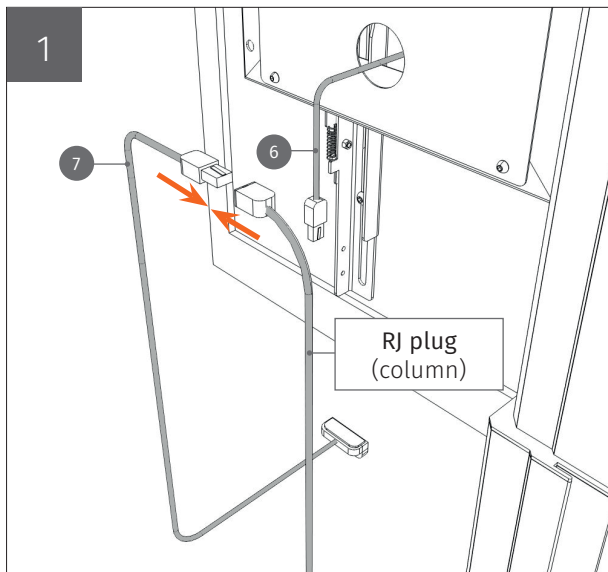
13



To adjust the height, keep pressed down the button **+** or **-** on the control unit.

Releasing the button will immediately stop the movement. In case of emergency, just unhand the control unit (deadman switch).

## TROUBLE SHOOTING



2

System is pre-calibrated.

PLEASE RECALIBRATE **ONLY** IN CASE OF ERROR.

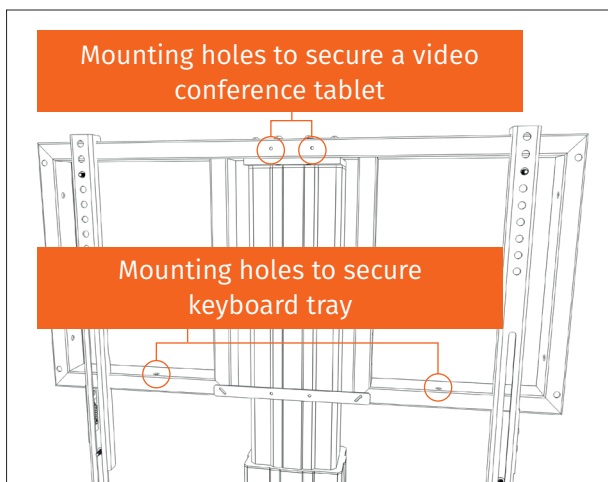
Trouble Shooting:

- 1 Press key **+** and **-** simultaneously until you hear 1 x audio signal
- 2 Press key **-** until you hear 3 x audio signal
- 3 Press key **+** and hold on until the column reached the maximum position and you can hear 2 x audio signal.

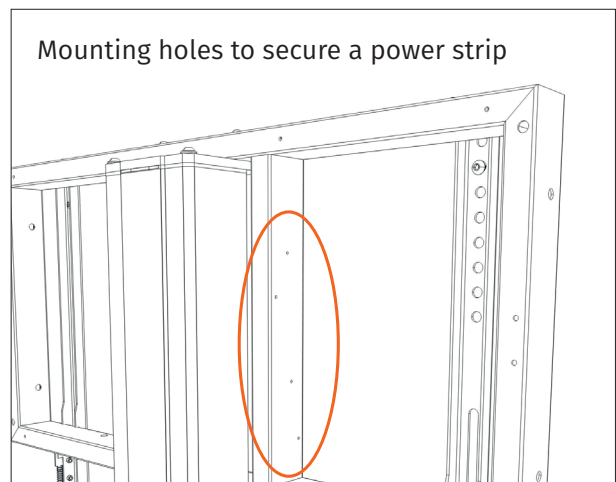
3

Then continue with point **9** of mounting instructions.

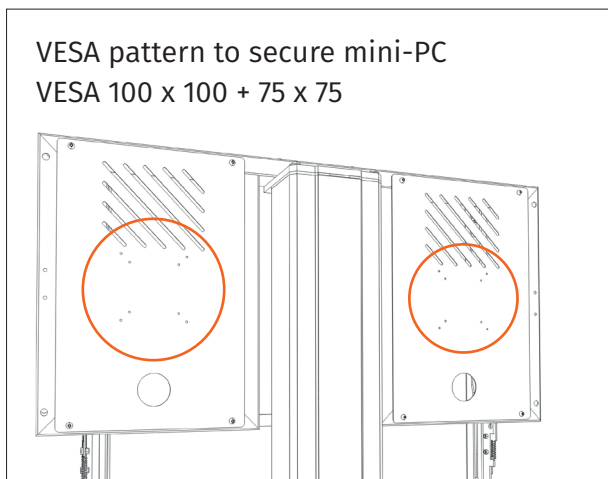
Mounting holes to secure a video conference tablet



Mounting holes to secure a power strip



VESA pattern to secure mini-PC  
VESA 100 x 100 + 75 x 75



Mounting holes to secure transport handles

