
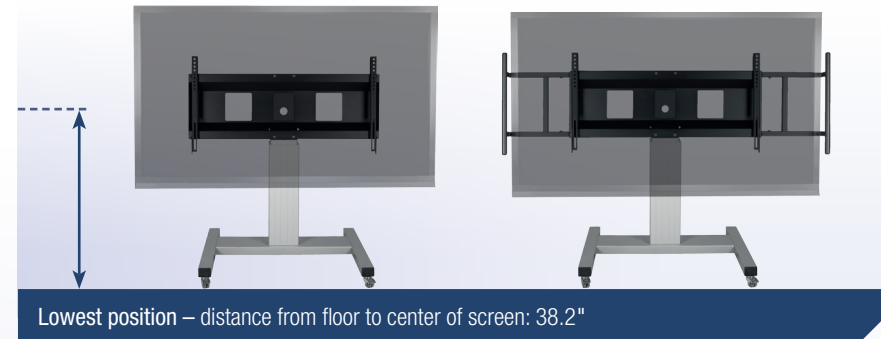


Designed for  Microsoft® Surface Hub 84"





Image is simulated.



 Microsoft® Surface Hub 84"
not included.




Features:

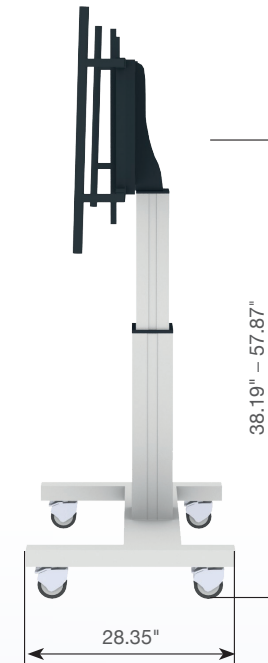
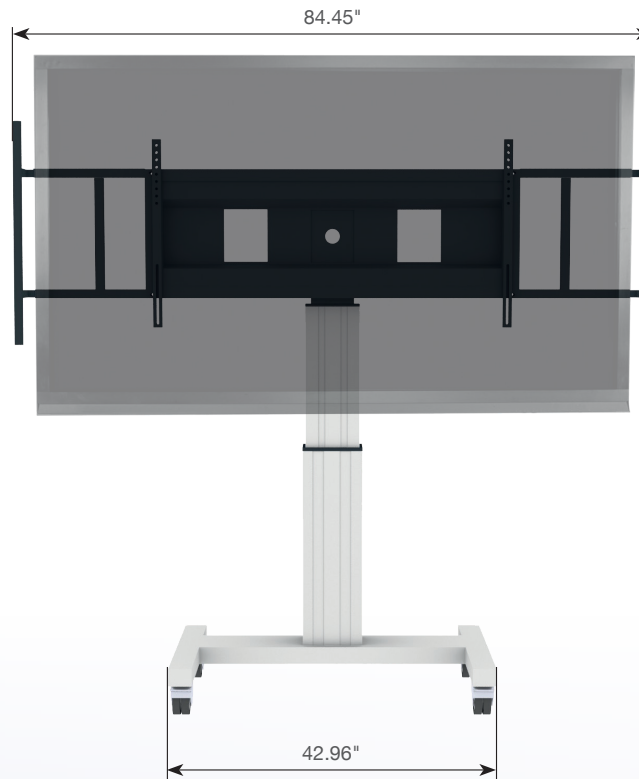
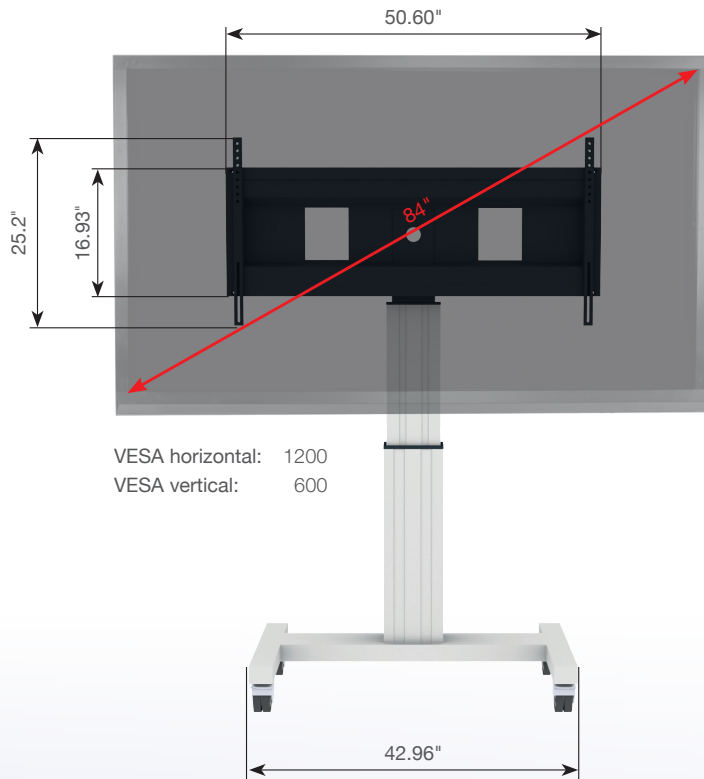
- Sturdy mobile base with heavy-duty 2" casters.
- Weight load capacity 150 kg / 330 lbs
- Stylish aluminum center column with integrated actuator providing height adjustment.
- Frame with integrated cable management for  Microsoft® Surface Hub 84".
- Brackets to attach  Microsoft® Surface Hub 84" to frame. Tooling & hardware included.
- Base finished in silver gloss powder coating, frame finished in black powder coating center column anodized aluminum.

ScreenCartElecTric Aluminum mobile stand

The ConenMounts **ScreenCartElecTric Aluminum** is a mobile, motorized height adjustable solution made interactive via attached  Microsoft® Surface Hub 84" interactive flat panel display. The **ScreenCartElecTric Aluminum** is height adjustable for user's comfort.  Microsoft® Surface Hub 84" can be moved smoothly from the lowest to the highest position or in any required mid-point position.

Retracted the **ScreenCartElecTric Aluminum** fits through a standard doorway with the  Microsoft® Surface Hub 84" still connected. Heavy-duty metal castors allow for the unit to be easily moved to different locations. Its unique features and the flexibility in both use and deployment make the **ScreenCartElecTric Aluminum** a compelling group collaboration solution for promoting higher levels of engagement throughout the group, whether in class rooms or in business environment.

Designed for  Microsoft® Surface Hub 84"



Ergonomic handles for increased mobility and protection in transport



CONEN® mounts


www.conenmounts.com

Distributed by:
Stirling Communications Supply
29 Poplar Drive
Stirling, NJ 07980

T: (908) 604-9360
E: DPilar@stirlingcomm.com

ConenMounts ScreenCartElecTric Aluminum

Component part number	Product description
SCETA12	ScreenCartElecTric Aluminum mobile stand
GRIFF-SCETA	ScreenCartElecTric Aluminum handle

Specifications subject to change without notice. Image is simulated.  Microsoft® Surface Hub 84" not included. ConenMounts is a trading brand of Conen Produkte GmbH & Co. KG. All other product and brand names are trademarks and/or registered trademarks of their respective companies. Conen disclaims any and all rights in these marks. Copyright 2014 ConenMounts. PDS-SCETA12 06/16.