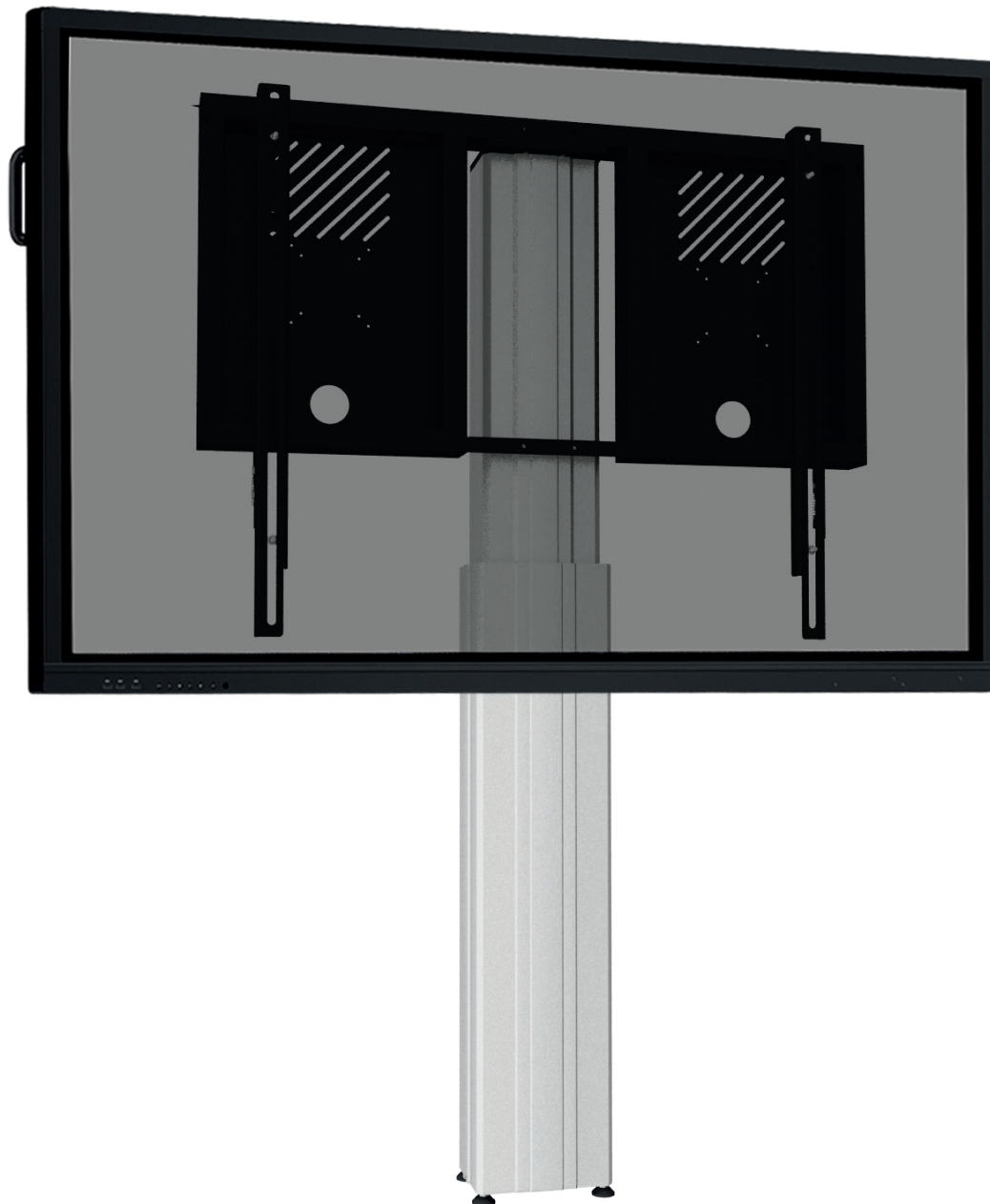
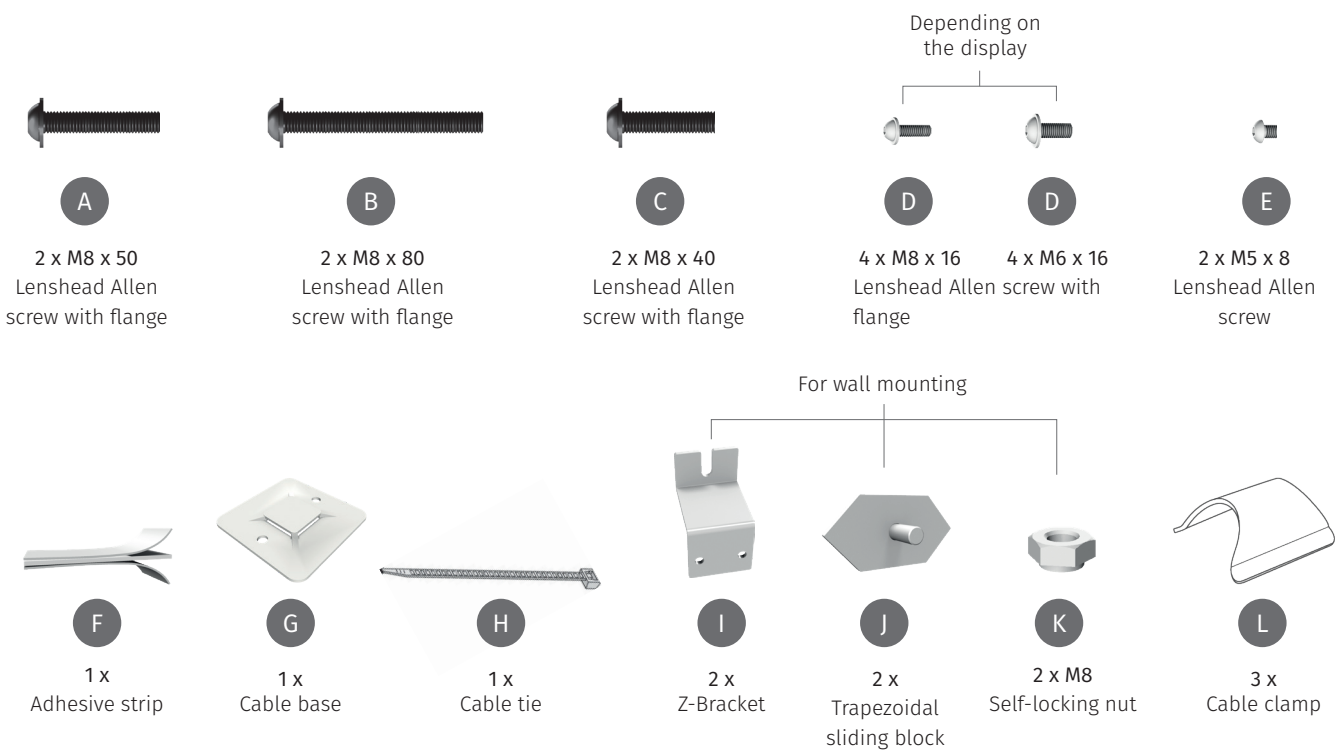
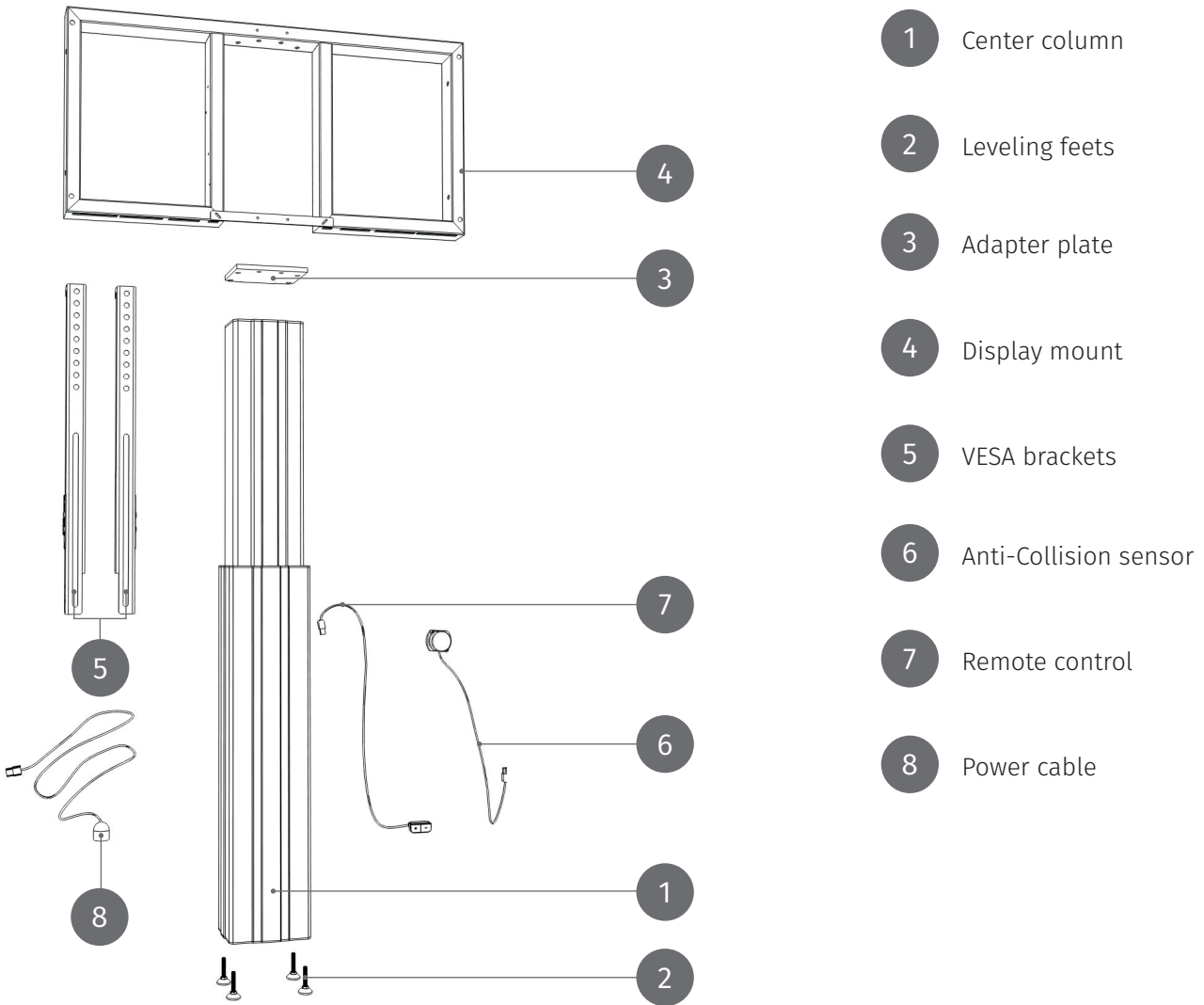


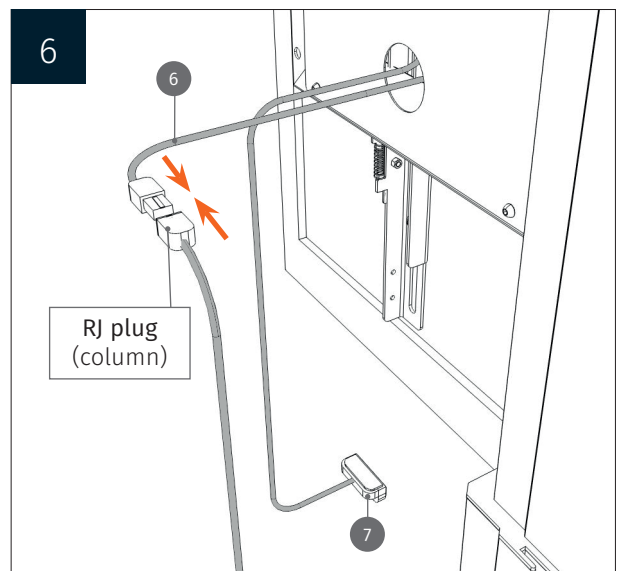
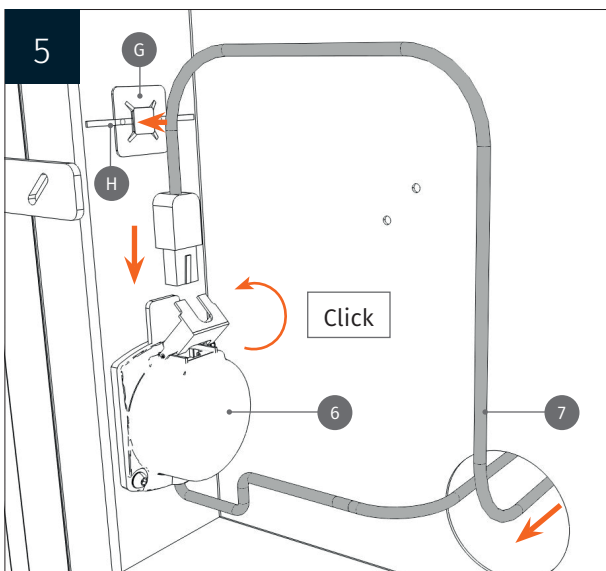
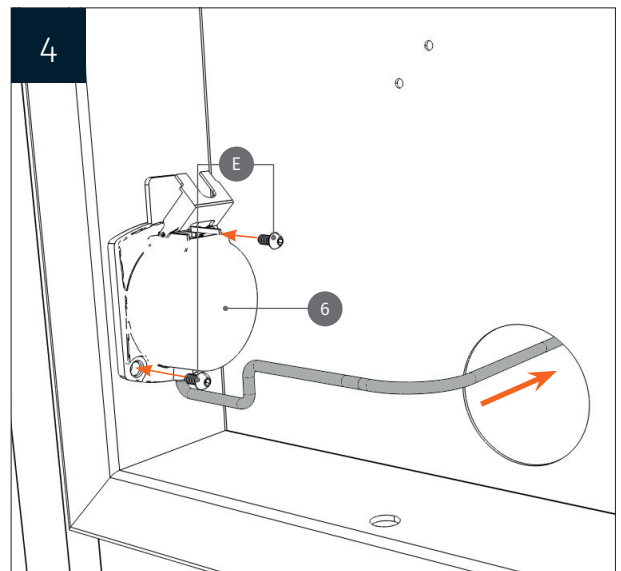
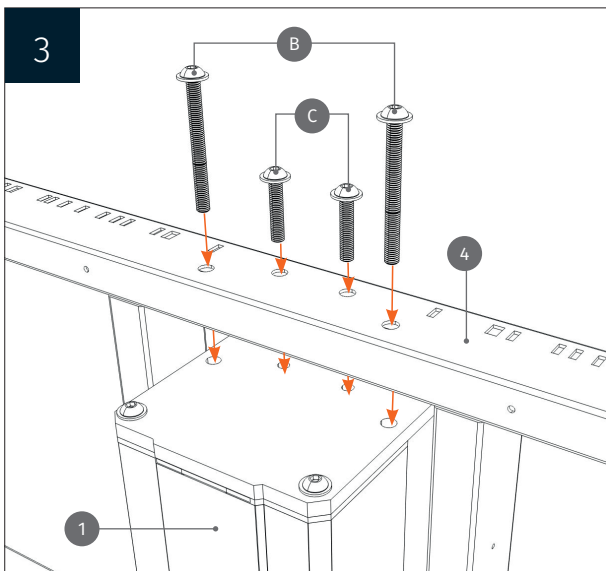
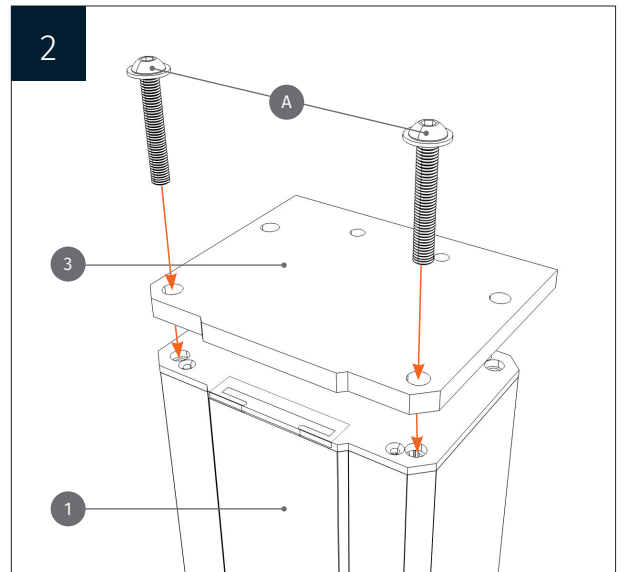
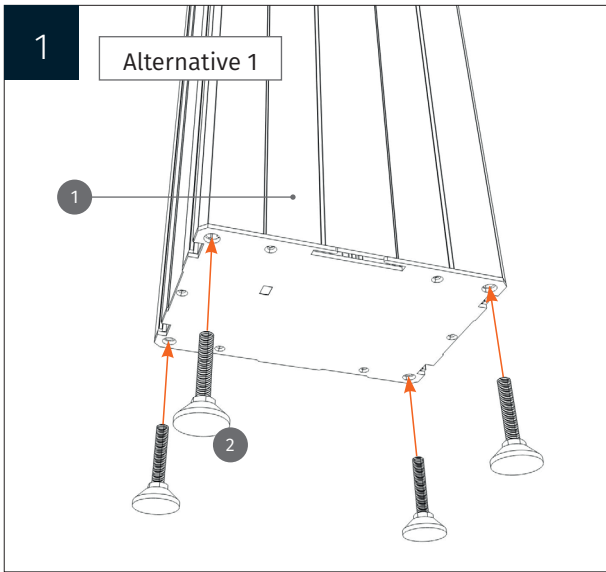
## Adjustable wallmounted stand with anti-collision



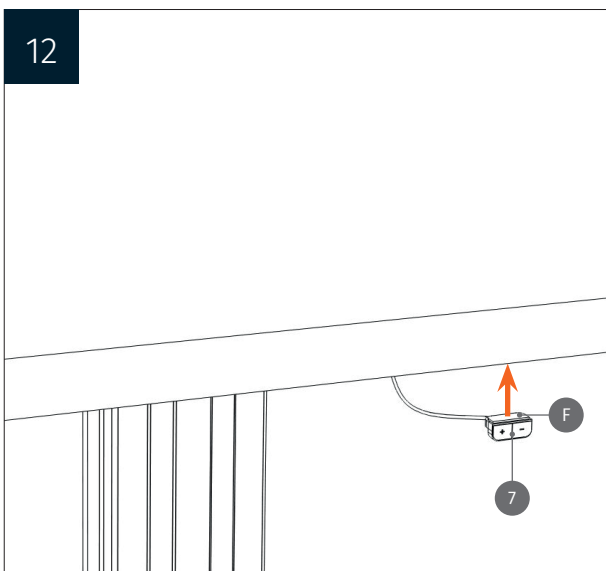
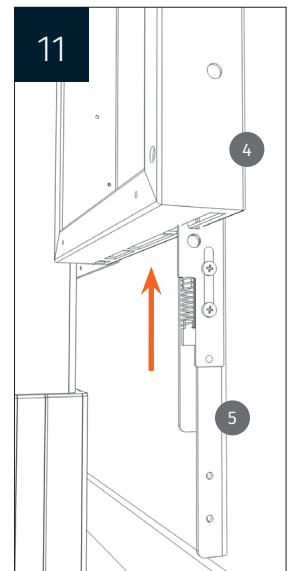
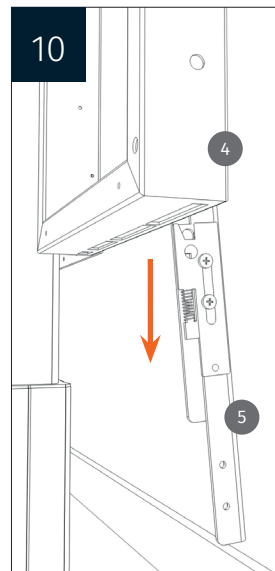
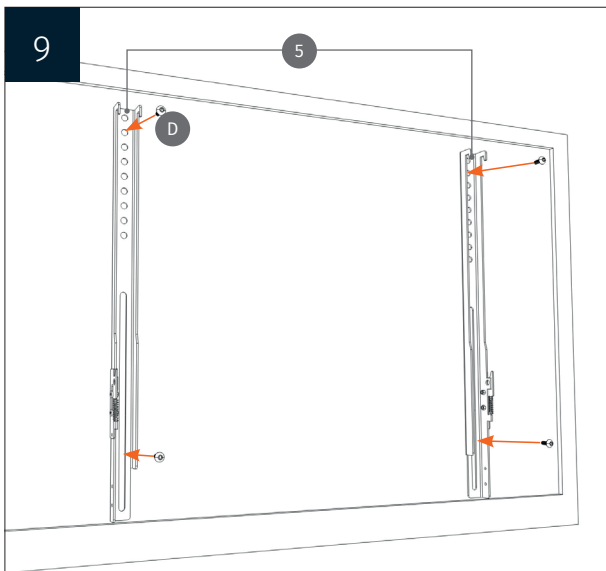
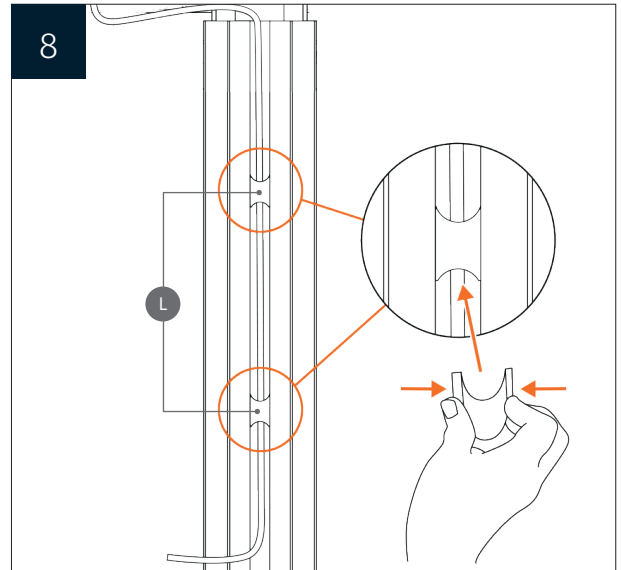
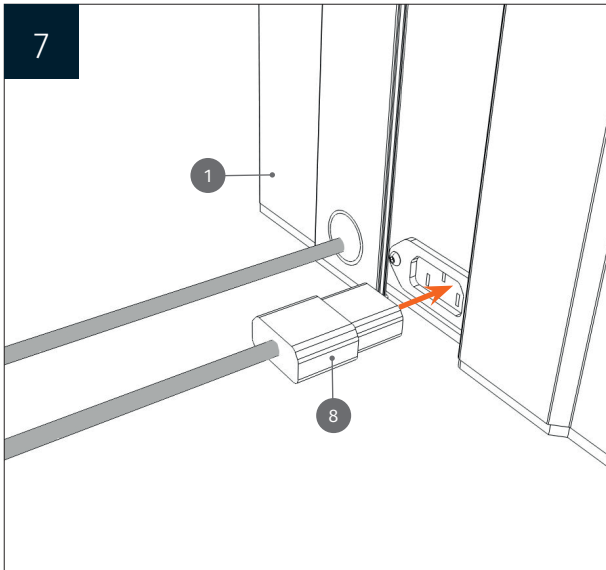
# PACKAGE CONTENTS



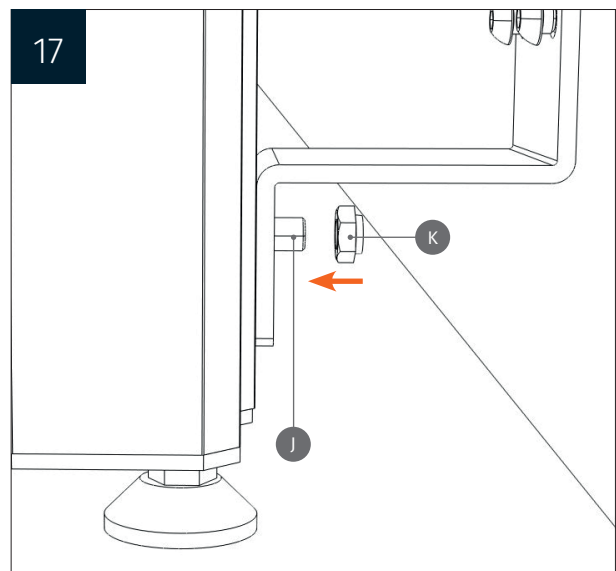
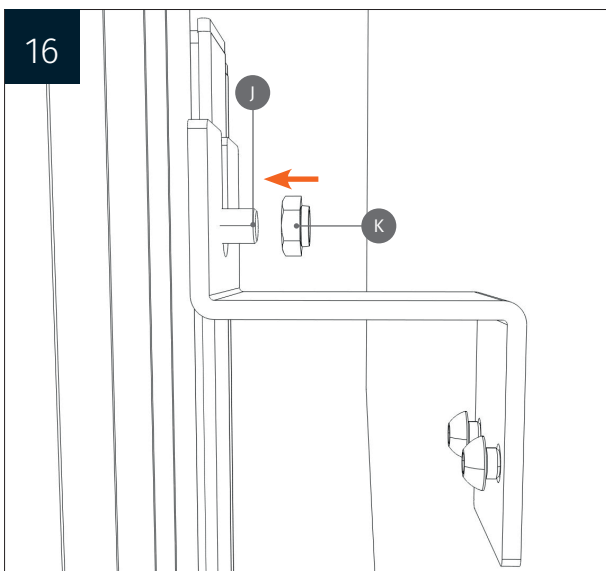
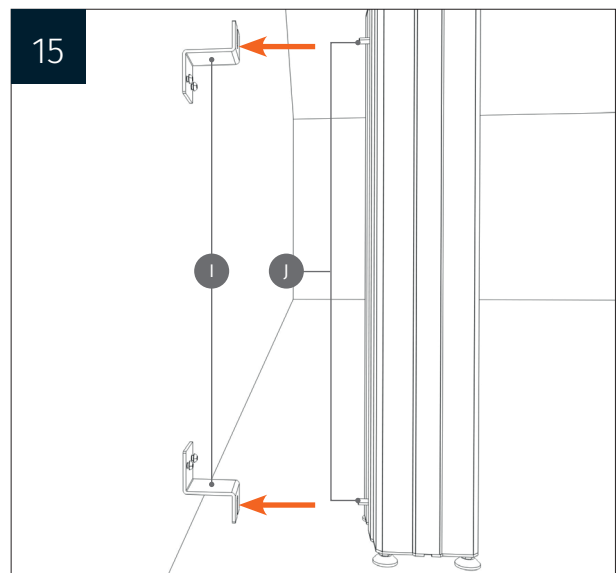
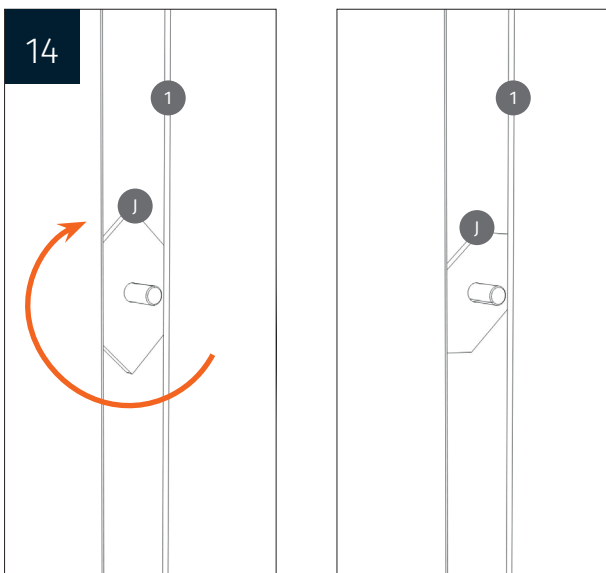
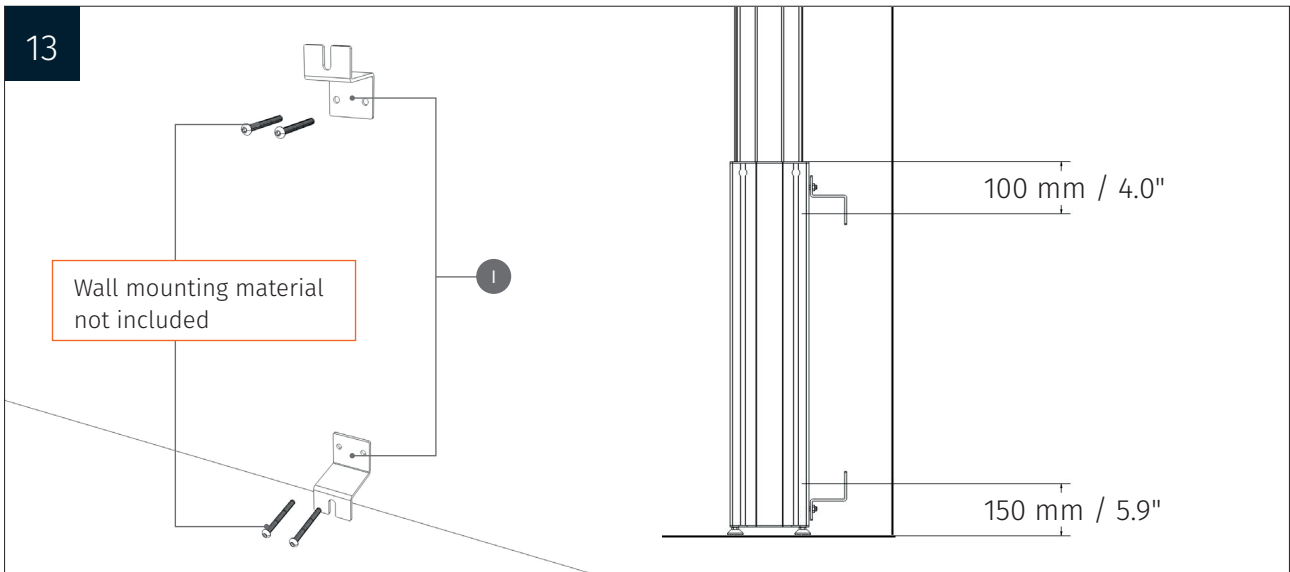
# MOUNTING INSTRUCTIONS



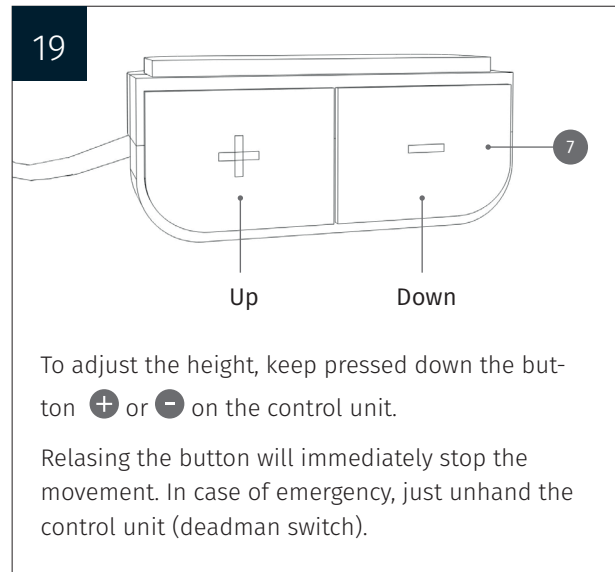
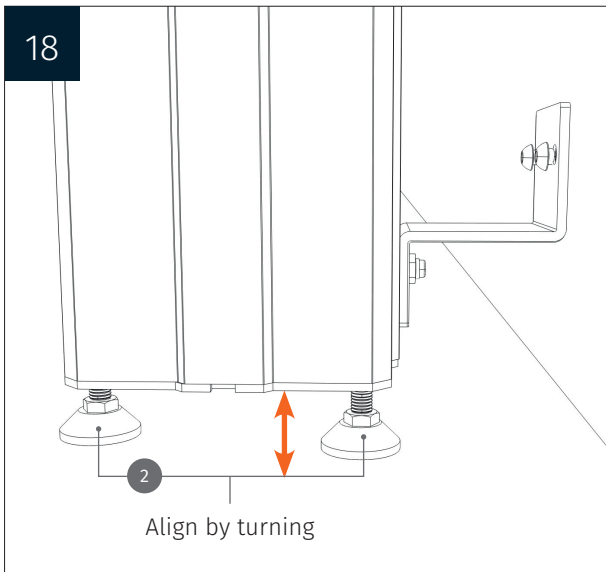
# MOUNTING INSTRUCTIONS



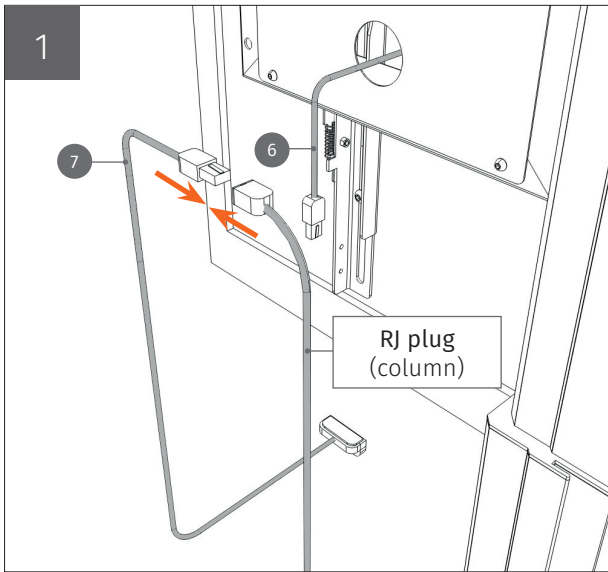
# MOUNTING INSTRUCTIONS



## MOUNTING INSTRUCTIONS



# TROUBLE SHOOTING



2

System is pre-calibrated.  
**PLEASE RECALIBRATE ONLY IN CASE OF ERROR.**

**Trouble Shooting:**

- 1 Press key **+** and **-** simultaneously until you hear 1 x audio signal
- 2 Press key **-** until you hear 3 x audio signal
- 3 Press key **+** and hold on until the column reached the maximum position and you can hear 2 x audio signal.

3 Then continue with point **9** of mounting instructions.

