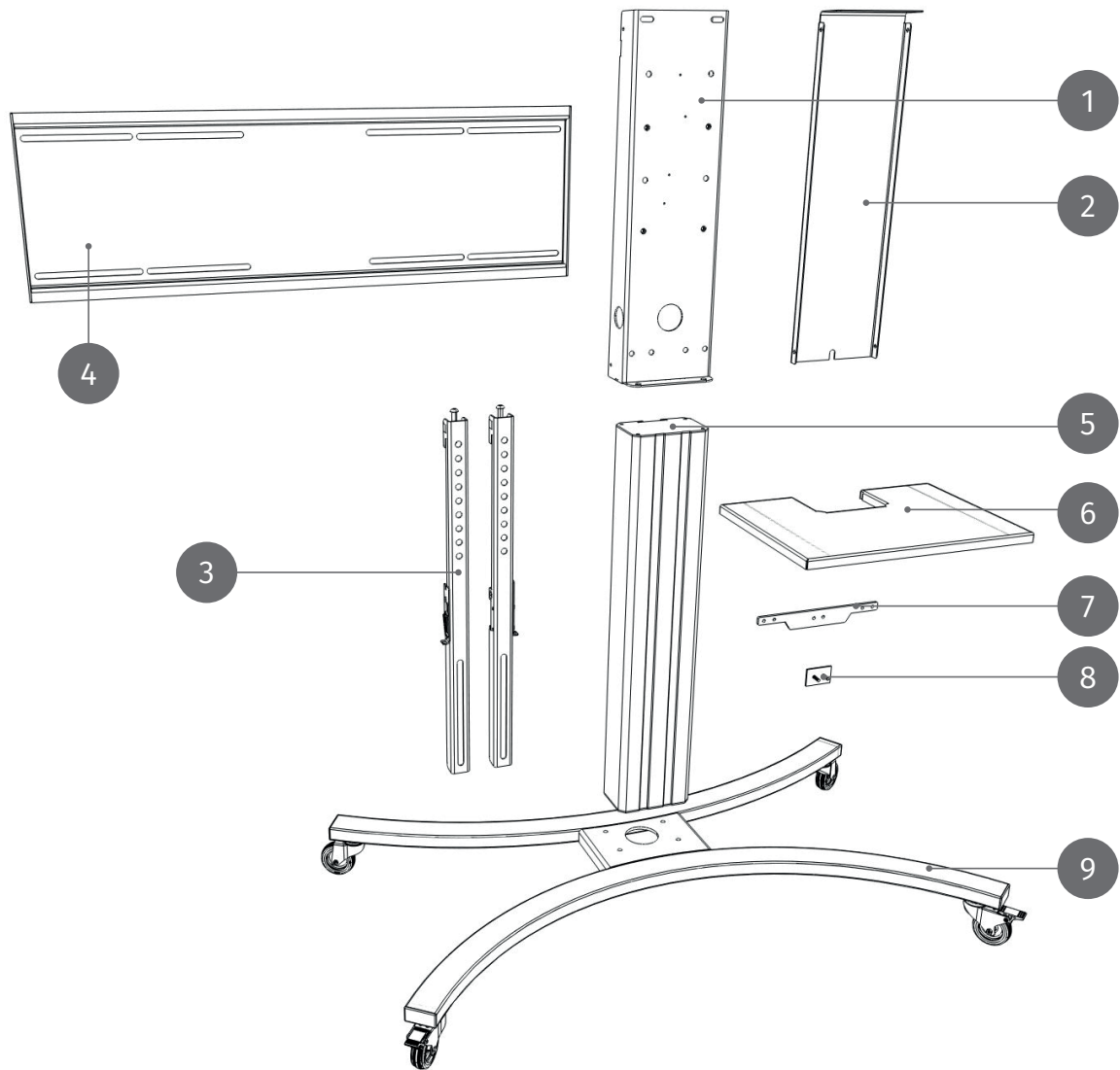


Fixed mobile stand for 55-86" Displays



For any inquiry please contact : sales@stirlingcomm.com

PACKAGE CONTENTS

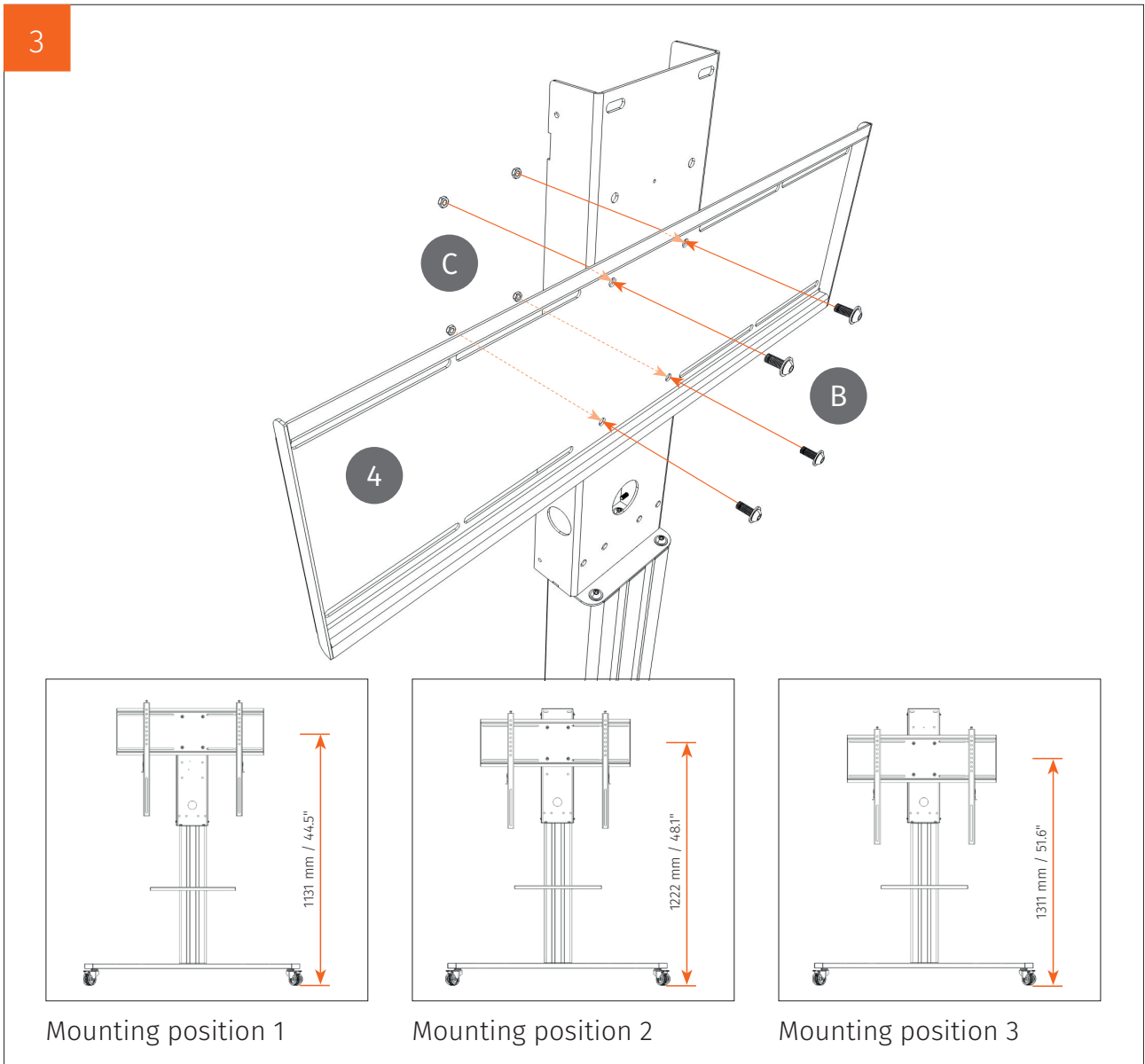
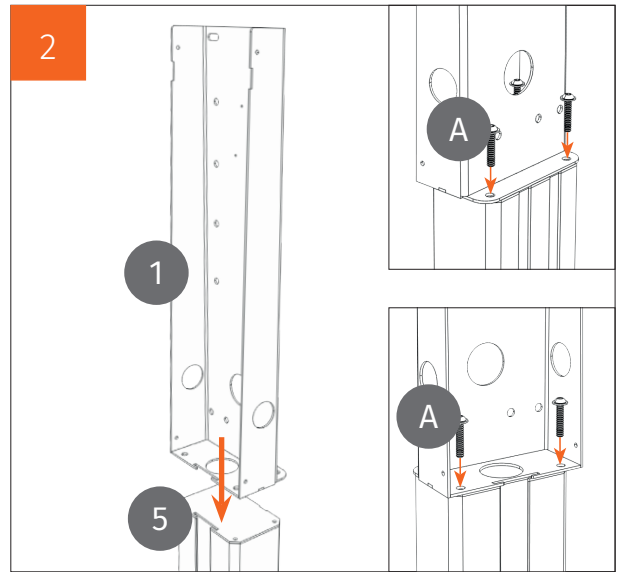
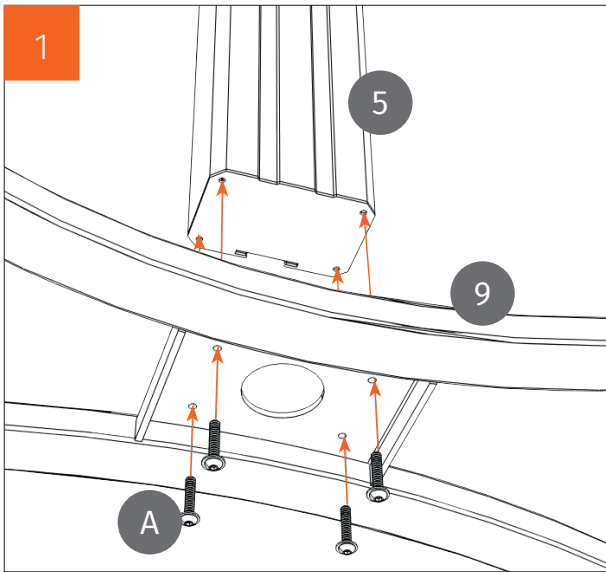


- | | | |
|------------------------|-----------------------|-----------------|
| 1 Adapter | 4 Display mount | 7 Adapter strip |
| 2 Cover | 5 Fixed center column | 8 Sliding block |
| 3 Hook arms right/left | 6 Front shelf | 9 Mobile base |



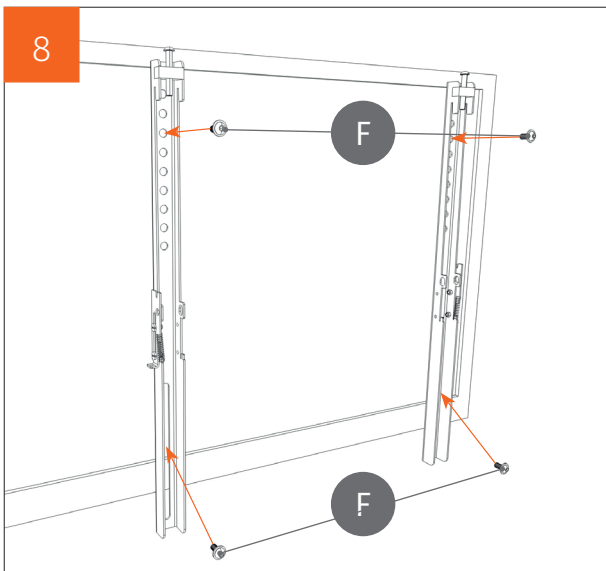
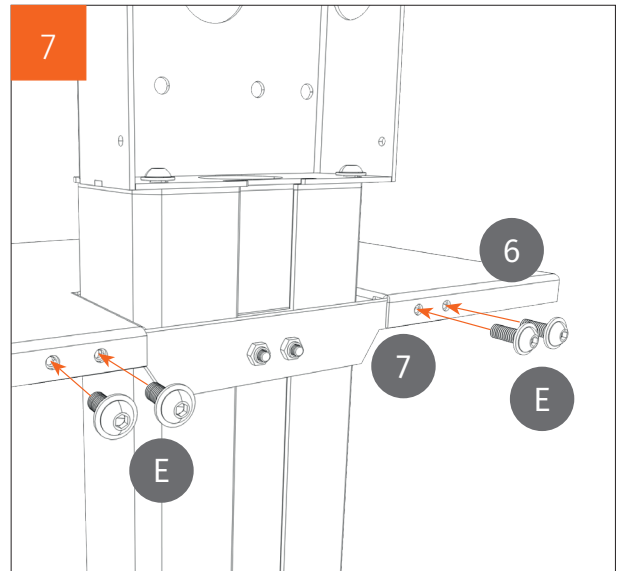
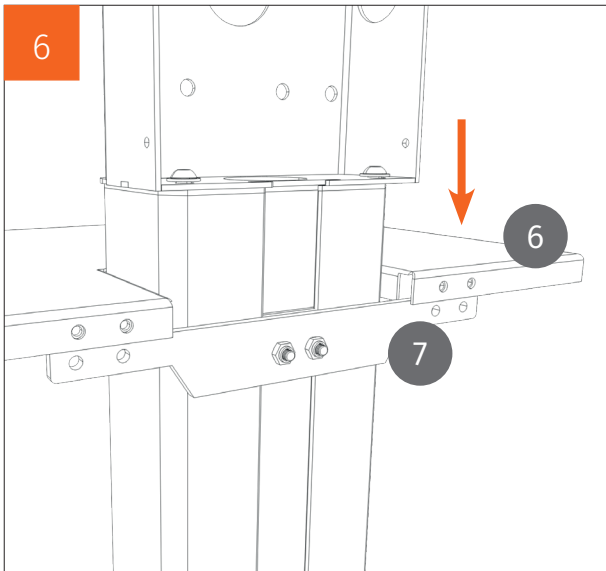
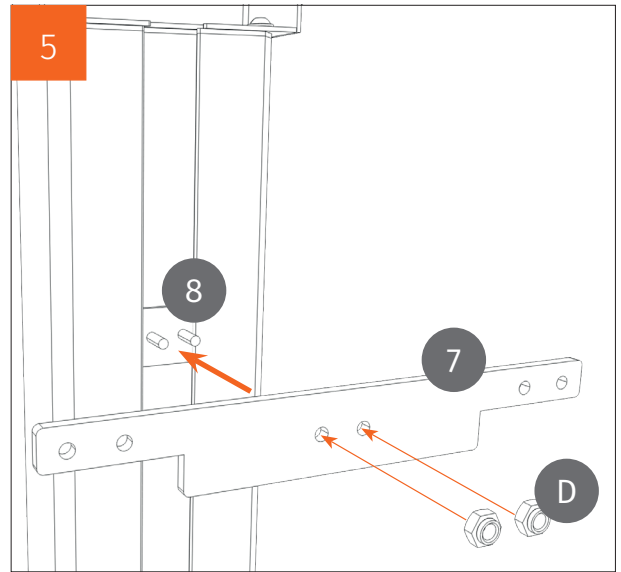
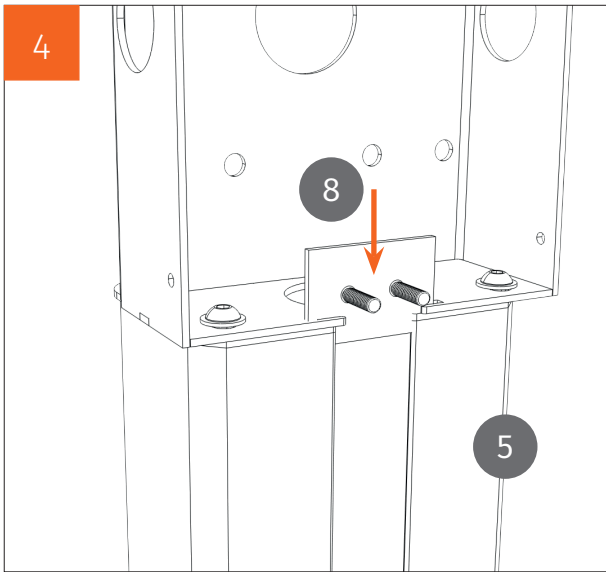
For any inquiry please contact : sales@stirlingcomm.com

MOUNTING INSTRUCTIONS



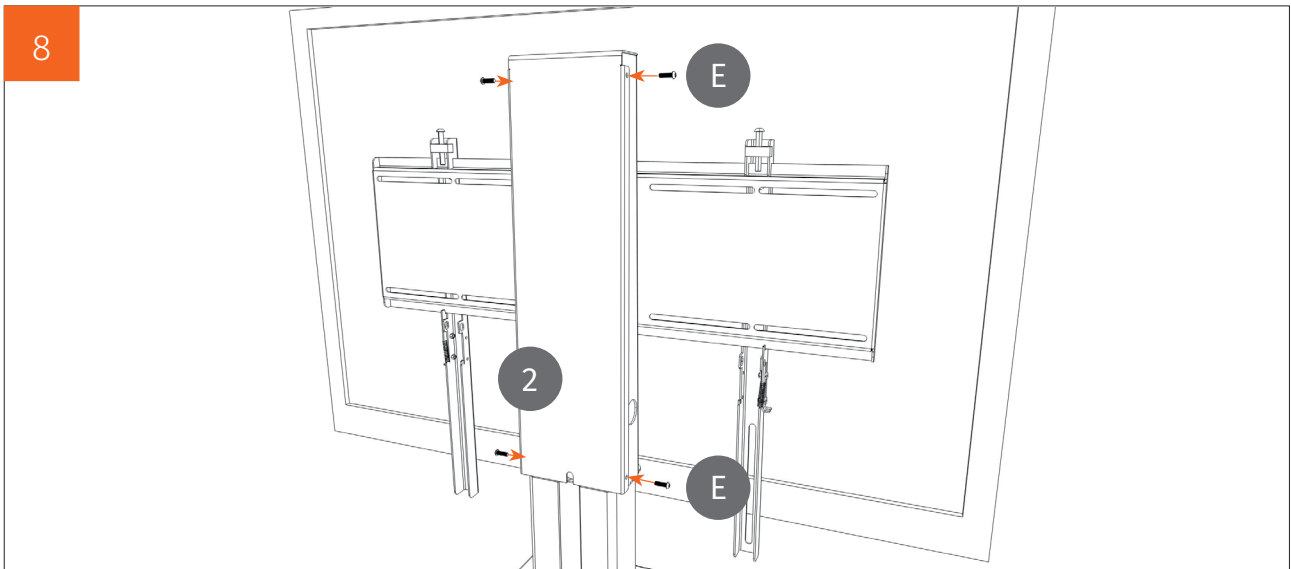
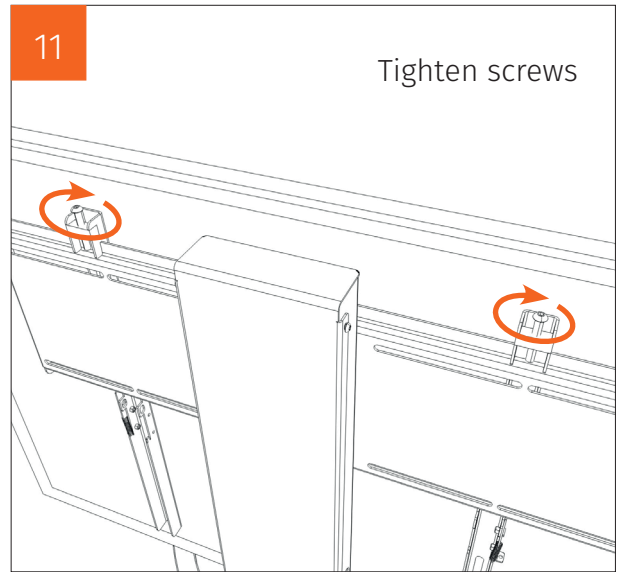
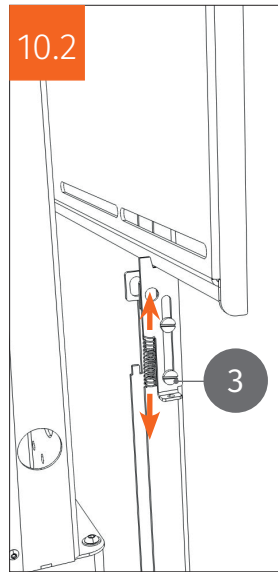
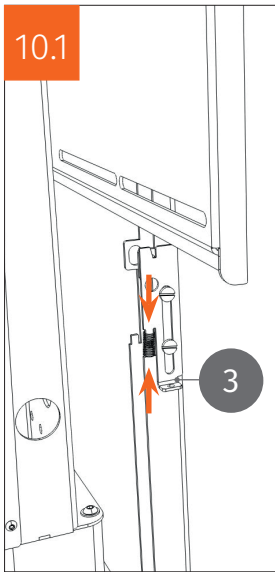
For any inquiry please contact : sales@stirlingcomm.com

MOUNTING INSTRUCTIONS



For any inquiry please contact : sales@stirlingcomm.com

MOUNTING INSTRUCTIONS



For any inquiry please contact : sales@stirlingcomm.com