

RS200

# Large Robotics Storage Tub



## Assembly Guide

RS200\_2019\_B

Check out our other products online at  
[www.copernicused.com](http://www.copernicused.com)

For assistance, please contact us:

**1-800-267-8494**

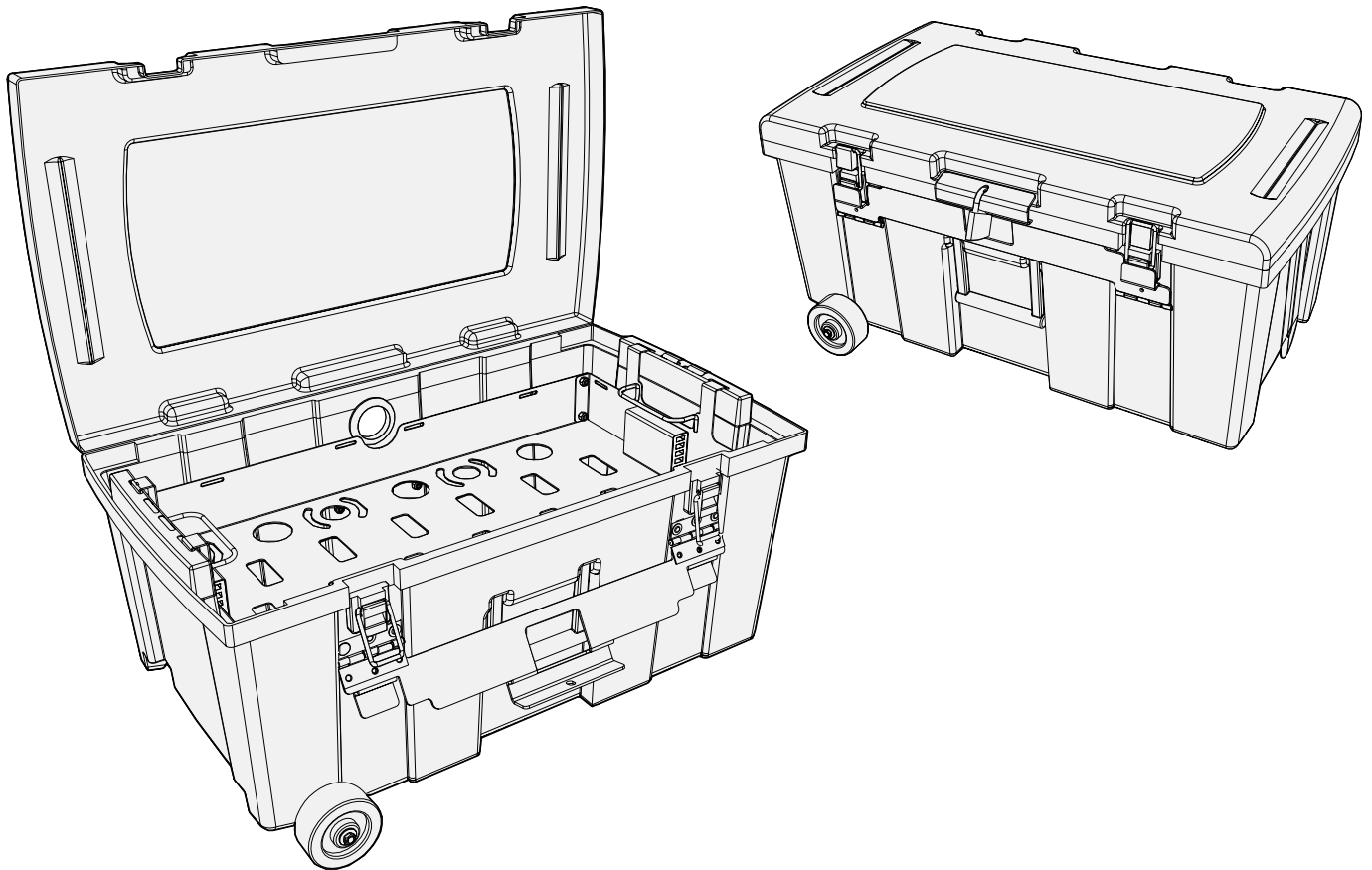
Email [info@copernicused.com](mailto:info@copernicused.com)

**Have your packing slip ready for reference**

## WARNING



- This product is meant to be assembled by an adult.
- In its unassembled state, small parts present a hazard.
- To be used under direct supervision of an adult.



**Please Recycle**

# Large Robotics Storage Tub



## Assembly Guide RS200\_2019\_B

Check out our other products online at  
[www.copernicused.com](http://www.copernicused.com)

For assistance, please contact us:

**1-800-267-8494**

Email [info@copernicused.com](mailto:info@copernicused.com)

**Have your packing slip ready for reference**

Dear Educator,

Thank you for purchasing the Large Robotics Storage Tub. We hope it meets all your expectations and you and your students enjoy using it at your school.

If you have any questions, concerns or ideas on how we can improve please let us know by contacting our Customer Solutions Ninjas at 1-800-267-8494 or [info@copernicused.com](mailto:info@copernicused.com).

Happy teaching,

Kaylyn Belcourt-McCabe  
President

We do not inherit the earth from our ancestors, we borrow it from our children.

Change is the end result of all true learning.

LEO BUSCAGLIA

NORTH AMERICAN  
PROVERB

What you leave behind is not what is engraved in stone monuments, but what is woven into the lives of others.

PERICLES

Education is the most powerful weapon which you can use to change the world.

NELSON MANDELA



### Validate Your Warranty

To validate your warranty, submit the ON-LINE form at [www.copernicused.com](http://www.copernicused.com)  
**Enter a draw to win a Copernicus Product for your classroom at the same time!**



# Warning! Hazard Risks!

Please read the warnings below for important safety information regarding your product. Failure to read these warnings or to follow the instructions below could result in personal injury or damage to your product that could void your warranty.



Small Parts

In its unassembled state, this product contains parts that can be hazardous to small children. This product should be assembled by an adult.



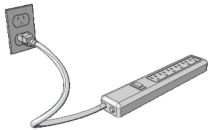
Adult Supervision

This product is to be used under the supervision of an adult.



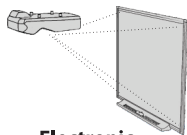
Indoor Use Only

This product is intended for indoor use only. To reduce the risk of fire or electric shock, do not expose this product to rain or moisture. The internal components are not sealed from the environment.



Power Strip Specifications

Read your power strip electrical specifications. Only plug in devices that are approved for use with this power strip. Connect the supplied power strip directly to a wall outlet. **Do not connect to another power strip or use an extension cord.** Unplug when not in use. **Do not leave this product plugged in for more than 72 consecutive hours.** Turn off power strip before unplugging.



Electronic Equipment

Read the electrical specifications of any electronic equipment you are using with your Copernicus products. Failure to read these specifications and follow their instructions could result in damage to your equipment or personal injury.



Cable Trip Hazard

Ensure that any cables extending across the floor to your product are properly bundled and marked to avoid tripping or falling which may lead to personal injury.



Electrical Shock

Do not install or use the electrical components of this unit during a lightning storm.



Climb Hazard

Do not climb on, hang from or suspend objects from any components of your product unless otherwise specified.

## Before beginning, you should have:

Additional tools required:



Adjustable wrench  
2x

OR

7/16" wrench  
2x



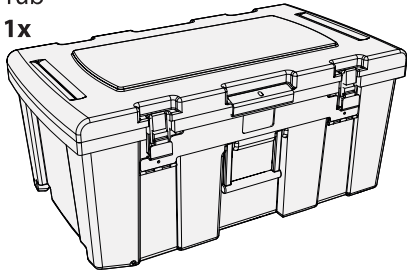
9/16" wrench  
2x



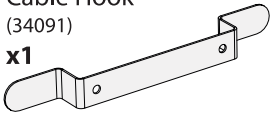
⊕ Screwdriver  
1x

### Contents - Box 1

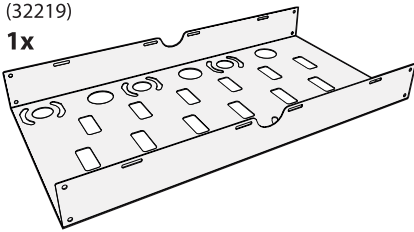
Tub  
1x



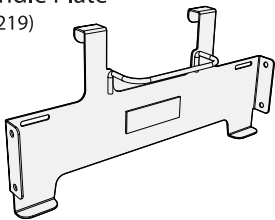
Cable Hook  
(34091)  
x1



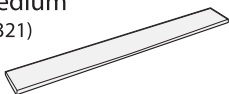
Tray  
(32219)  
1x



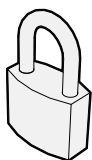
Handle Plate  
(32219)  
2x



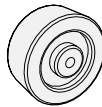
Hook & Loop Straps  
-Medium  
(43321)  
x2



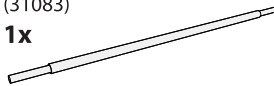
Padlock  
(430440)  
1x



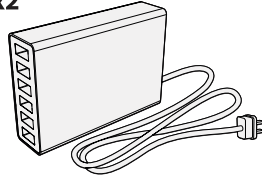
Wheel  
(410048)  
2x



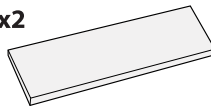
Axel  
(31083)  
1x



6 Port USB Hub  
(255147)  
x2



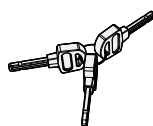
Stick On Hook & Loop  
(Hook Side)  
(43323)  
x2



Hook & Loop Straps  
-Short  
(43321)  
x4



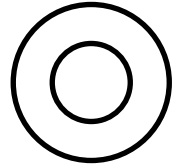
Key  
x3



In Box 1

### Hardware Actual Size

(A) 3/8" Flat Washer  
(430197)  
2x



(B) 3/8" Lock Nut  
(430122)  
2x



(C) 1/4-20 x 1/2" Pan Head Screw  
(4300382)  
8x



(D) 1/4-20 Lock Nut  
(430101)  
10x



(E) 1/4-20 x 1/2" Hex Head Screw  
(4302041)  
2x



# Tips for Assembly

## Watch for These Helpful Symbols

This symbol denotes a 2- or 3- Person Task. For safety, please ensure that there are the suggested number of people working on steps displaying this symbol.



Watch for this symbol throughout the Assembly Guide. Wherever you see it, pay close attention. The symbol denotes a step needing extra attention to ensure it is done correctly.



The star symbol highlights an advisory note.

## Before You Begin

- Lay out and identify all of the included parts.
- The hardware has been packed together.
- Read the assembly guide over once to familiarize yourself with them.



**!** Please note that in its unassembled state, this product contains parts that can be hazardous to small children. This product should be assembled by an adult.

## As You Assemble the Unit

- Follow the steps in sequence.
- Before beginning each step, find the part(s) that you need for that step.
- Pay attention to the labels on the parts; they are there to help direct you at certain stages.
- The title of each step states what you will be doing. Review the text and the pictures as you build the unit.

# Customer Service - FAQ's



### For missing parts and other issues regarding this product:

Please call Copernicus Customer Service, where we will be happy to help.  
1-800-267-8494. Monday - Friday 8:30am - 4:30 pm EST.

OR

Email our Tech Support Service at [info@copernicused.com](mailto:info@copernicused.com)

### Need Tech Support? Have a Question?



Email our Tech Support Service

### Check out some of our other great products!

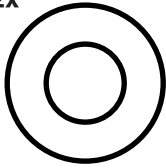


[www.copernicused.com](http://www.copernicused.com)

1

Actual Size:

(A) 3/8" Flat Washer  
2x

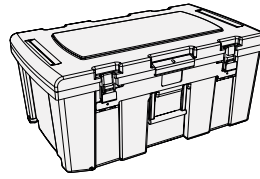


(B) 3/8" Lock Nut  
2x



You will need: (Not to Scale)

Tub  
1x



Adjustable wrench  
2x

OR

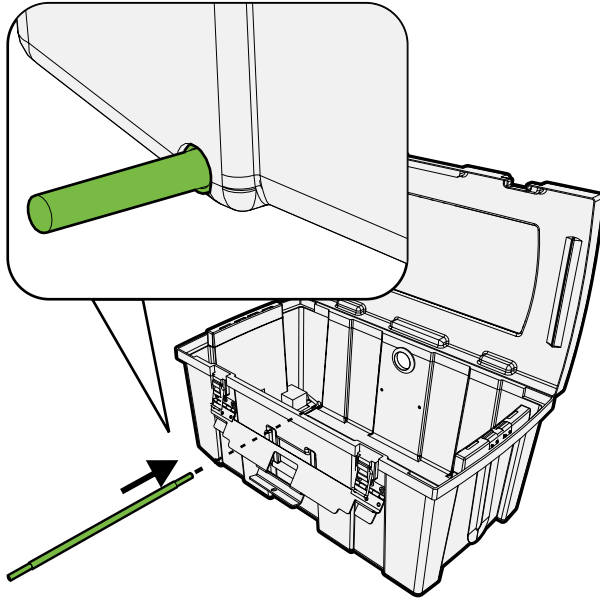
Axel  
1x

Wheel  
2x

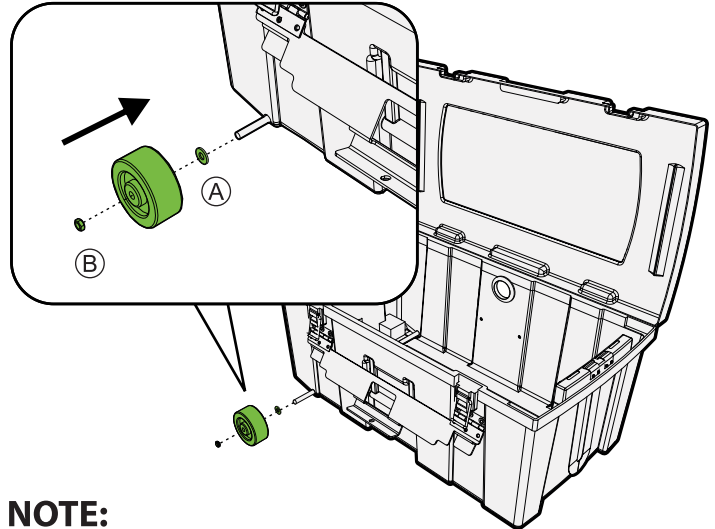
9/16" wrench  
2x

### Install Wheels onto Tub

1 Insert Axle through holes in tub



2 Fasten Wheels onto Axle



**NOTE:**  
Fasten both wheels onto axle at the same time using two 9/16" wrenches to prevent axle from spinning

2

You will need: (Not to Scale)

(D) 1/4-20 x Lock Nut  
2x

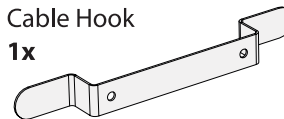


(E) 1/4-20 x 1/2" Hex Head Screw  
2x



You will need: (Not to Scale)

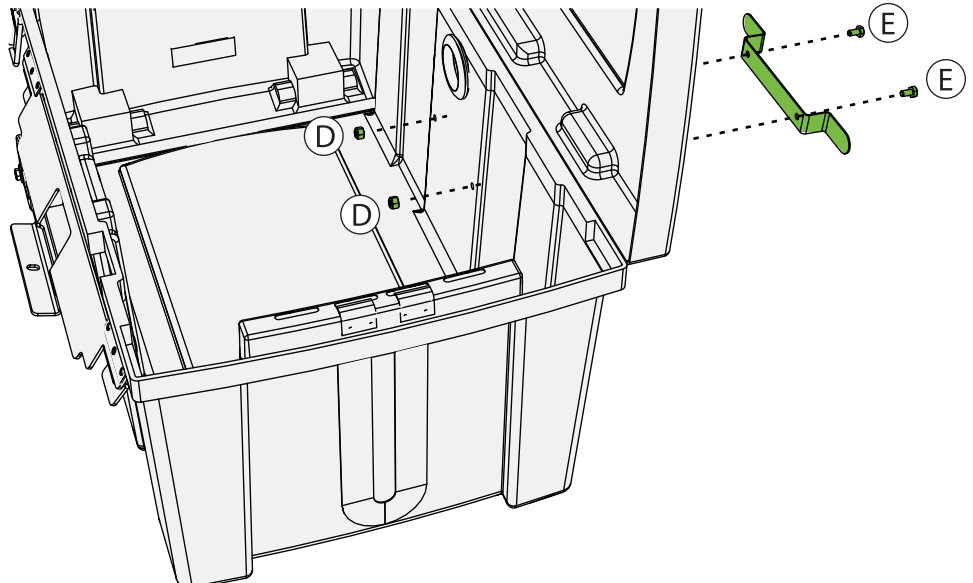
Cable Hook  
1x



You will need: (Not Provided)

7/16" wrench  
2x

### Install Cable Hook onto Tub



3

Actual Size:

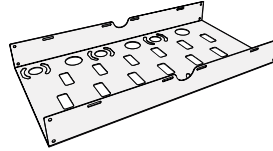
C 1/4-20 x 1/2" Pan Head Screw  
8x

D 1/4-20 Lock Nut  
8x

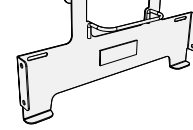


You will need: (Not to Scale)

Tray  
1x



Handle Plate  
2x



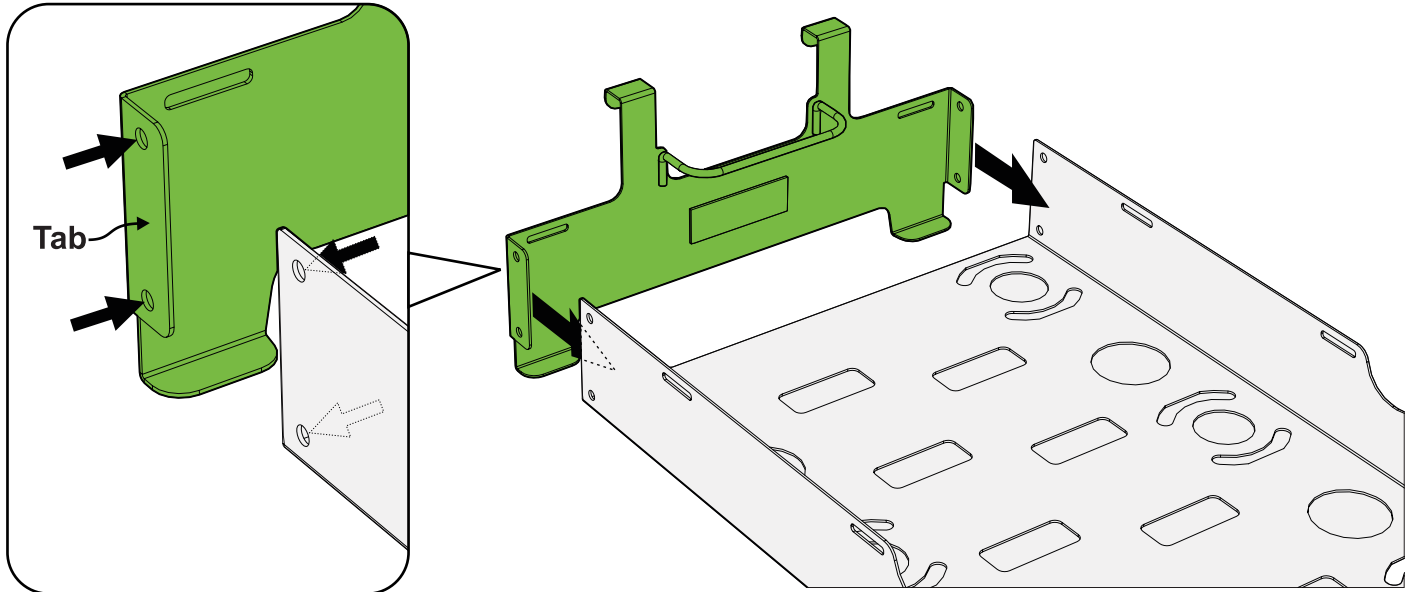
You will need: (Not Provided)

Screwdriver ⊕  
1x

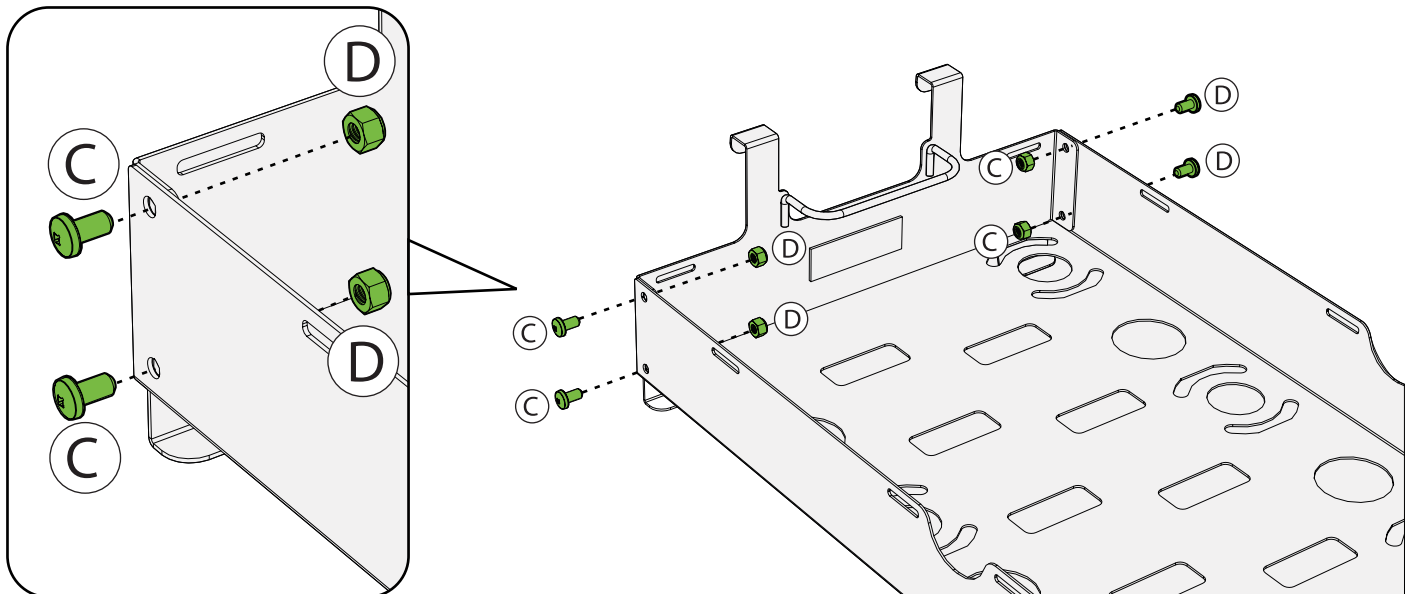
7/16" wrench  
1x

## Fasten Handle Plates onto Tray

1 Fit Tab on each end of Handle Plate inside Tray and align holes



2 Fasten Handle Plate to Tray



3 Repeat steps to fasten second Handle Plate onto other end of Tray

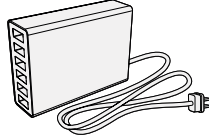


4

You will need: (Not to Scale)

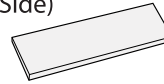
6 Port USB Hub

2x

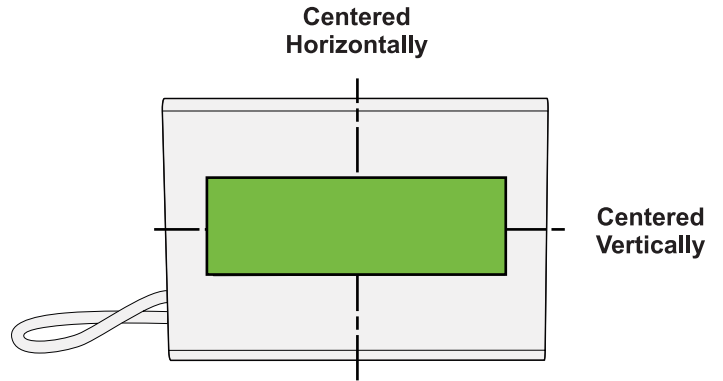
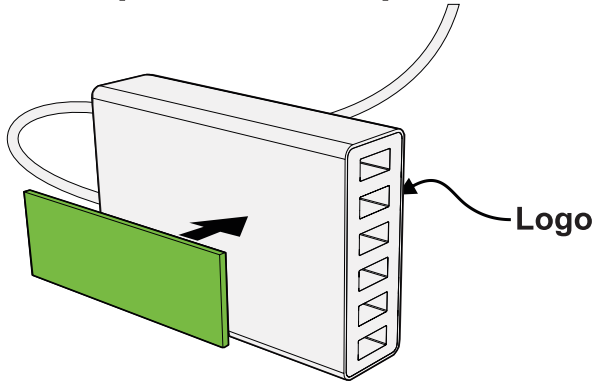


Stick On Hook & Loop (Hook Side)

2x



### Apply one strip of Hook & Loop to back side of each USB Hub

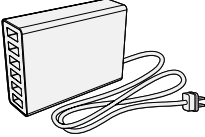


5

You will need: (Not to Scale)

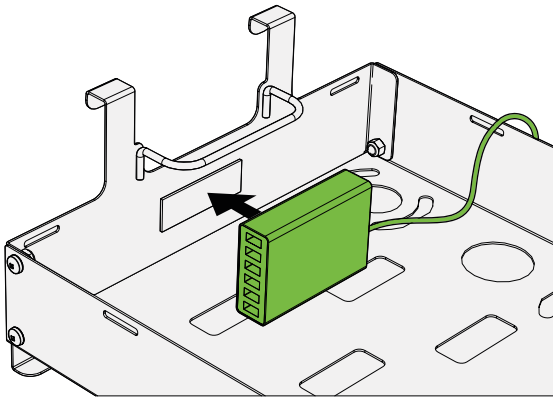
6 Port USB Hub

2x

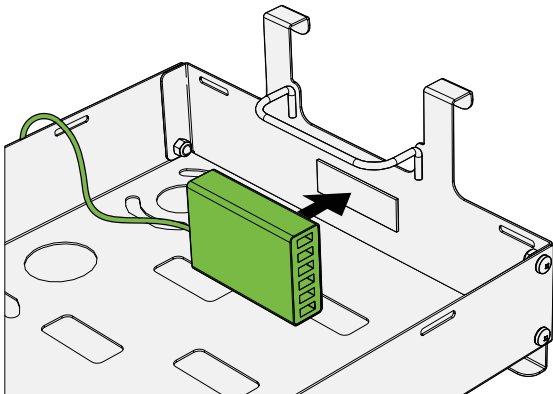


### Install USB Hubs (for 6 Dash and 6 Dot)

#### 1 Install first USB Hub in Tray

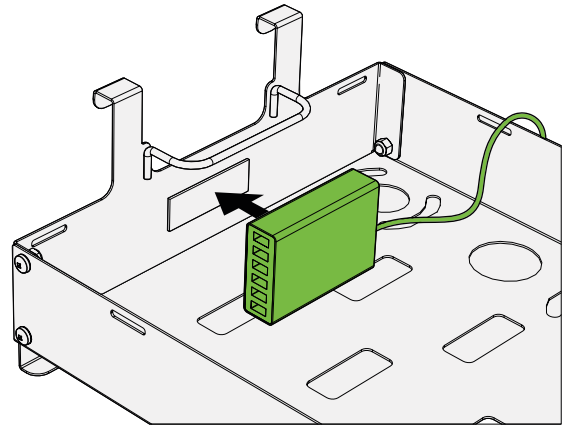


#### 2 Install second USB Hub in Tray

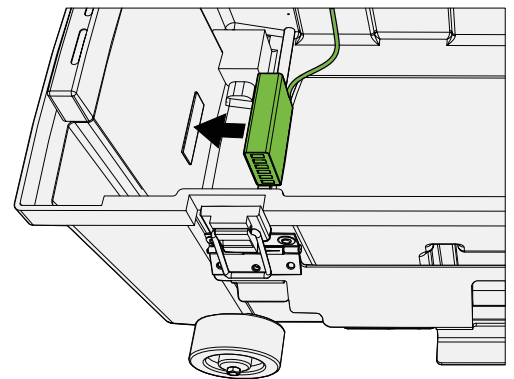


### Install USB Hubs (for 12 Cue or 12 Dash)

#### 1 Install first USB Hub in Tray



#### 2 Install second USB Hub on left wall of Tub



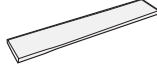
OR



6

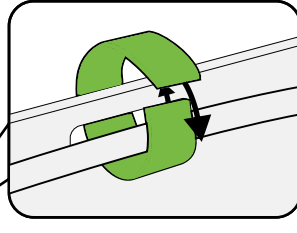
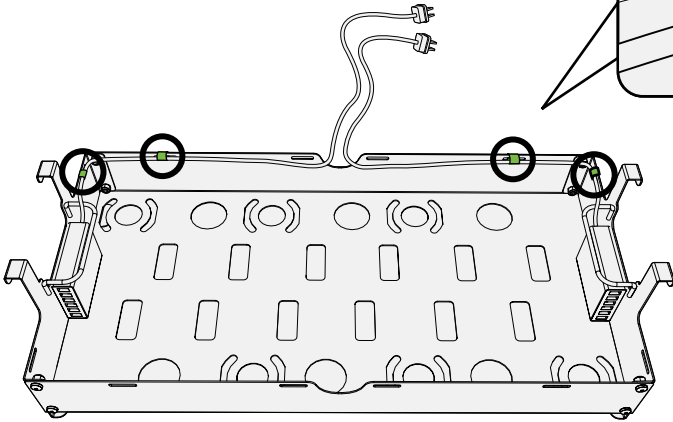
You will need: (Not to Scale)

Hook & Loop Straps  
-Short  
4x

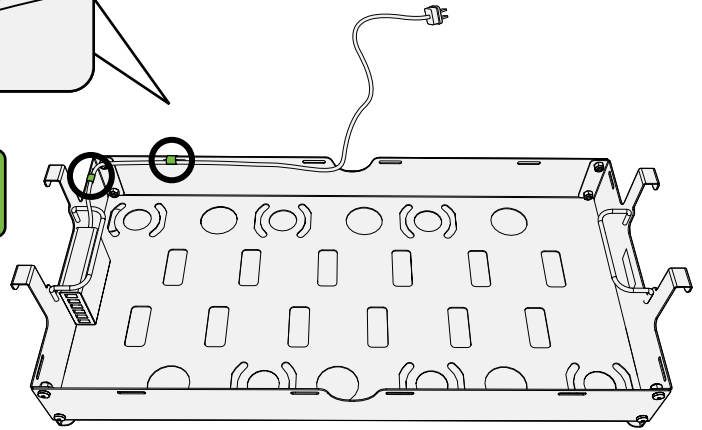


### Secure USB Hub power cables to tray using Short Hook and Loop Straps

**6 Dash and 6 Dot  
x2 USB Hubs**



**6 Cue or 6 Dash  
x1 USB Hub**



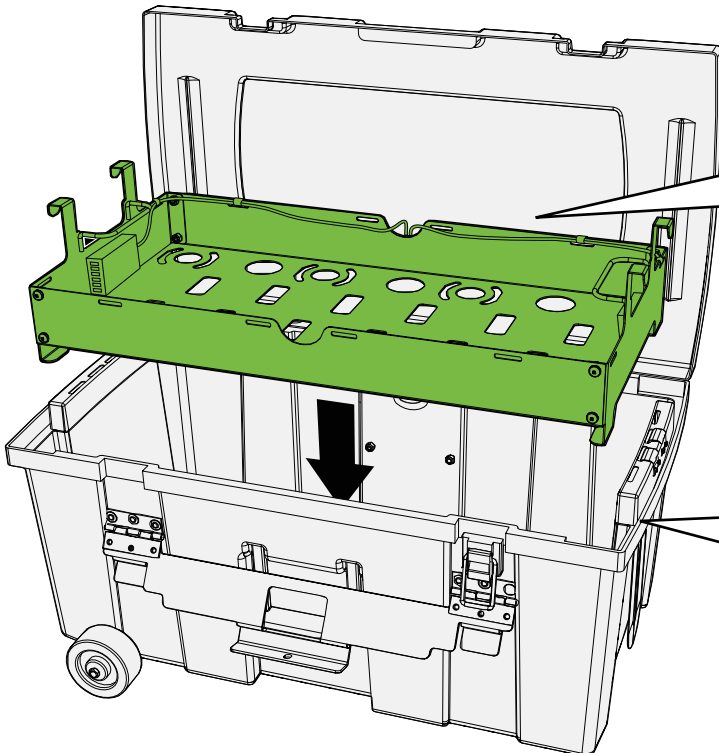
OR

7

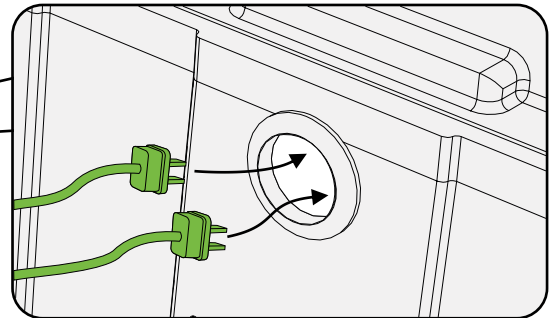
You will need: (Not to Scale)

**! Steps 7-9 are for setting up 6 Dash and 6 Dot  
Please proceed to step 10 to setup 12 Cue or 12 Dash**

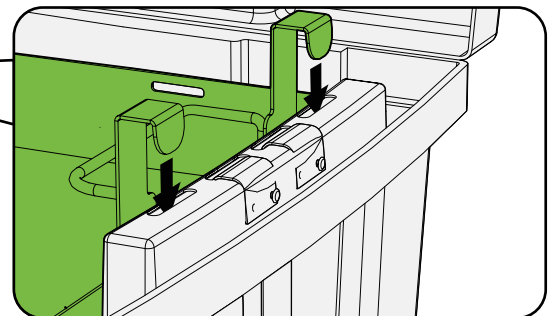
### Insert Tray into Tub



**1 Feed power cables through grommet in Tub**

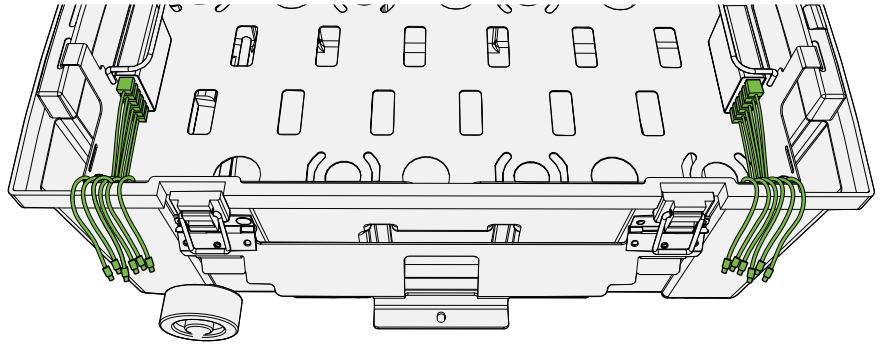


**2 Fit hooks on ends of tray into slots in Tub**



## Plug USB cables into Hub

**!** Drape USB cables out front of Tub until robots have been placed in Tray



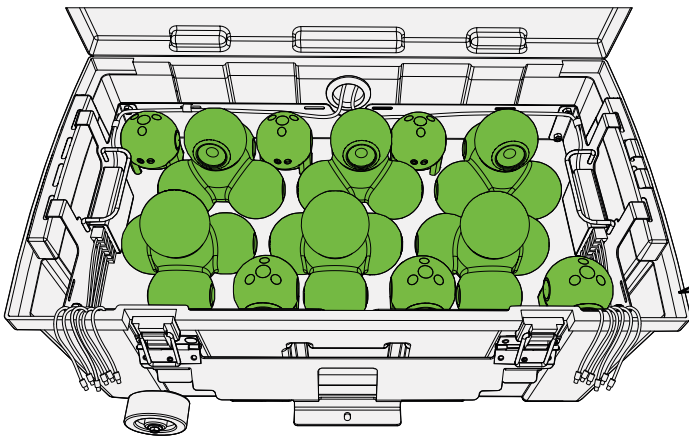
You will need: (Not to Scale)

Hook & Loop Straps  
-Medium  
2x

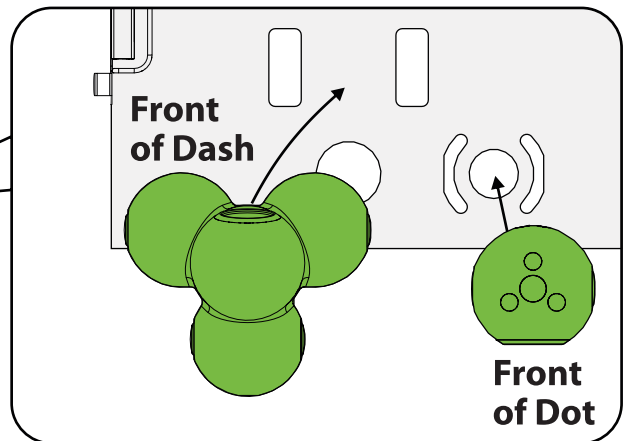


## Setup 6 Dash and 6 Dot in Tray

**1** Place 6 Dash and 6 Dot into slots in Tray

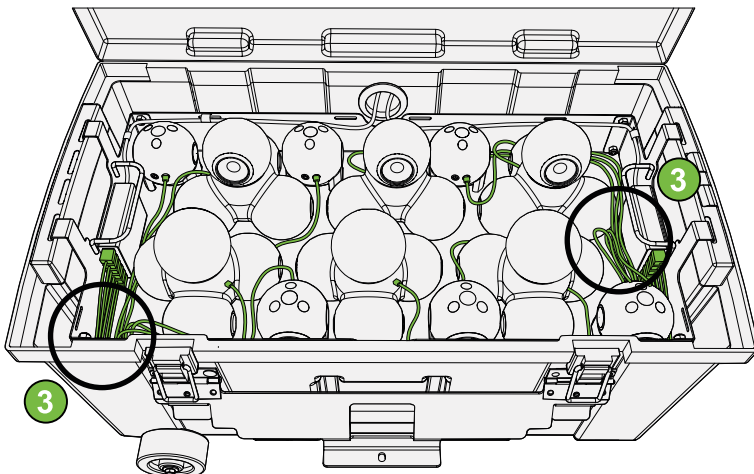


**!** Dash Robots should face in and Dot Robots should face out to ensure USB charging ports are accessible.



**2** Plug USB cables into Robots

**3** Bundle excess USB cable using Velcro straps

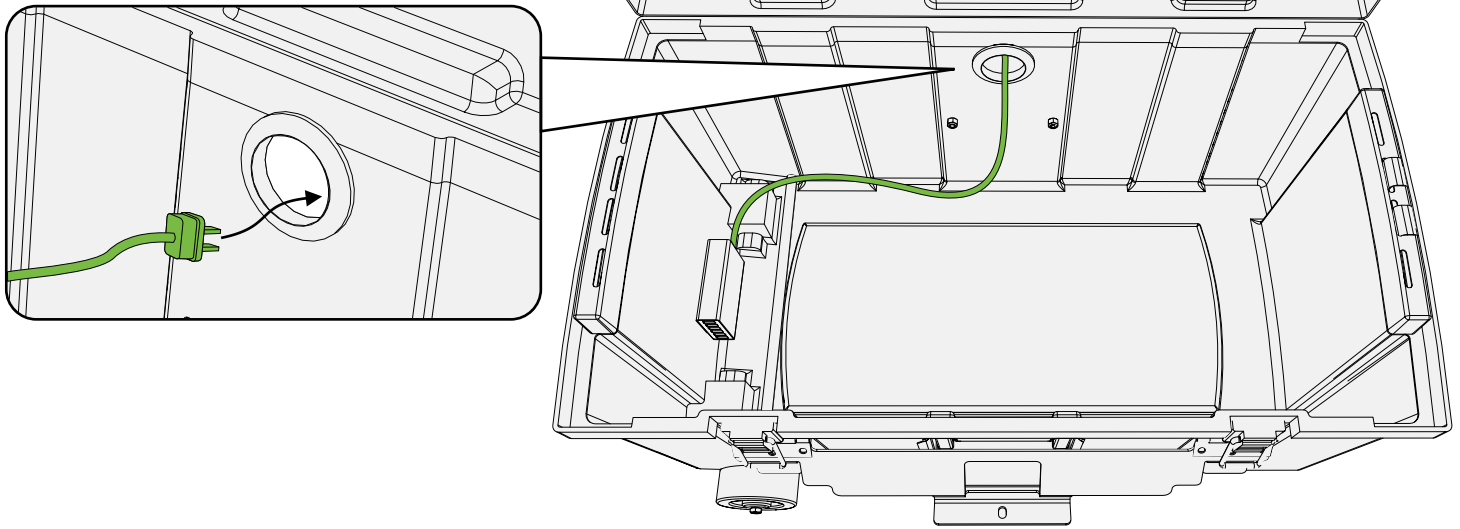


10

You will need: (Not to Scale)

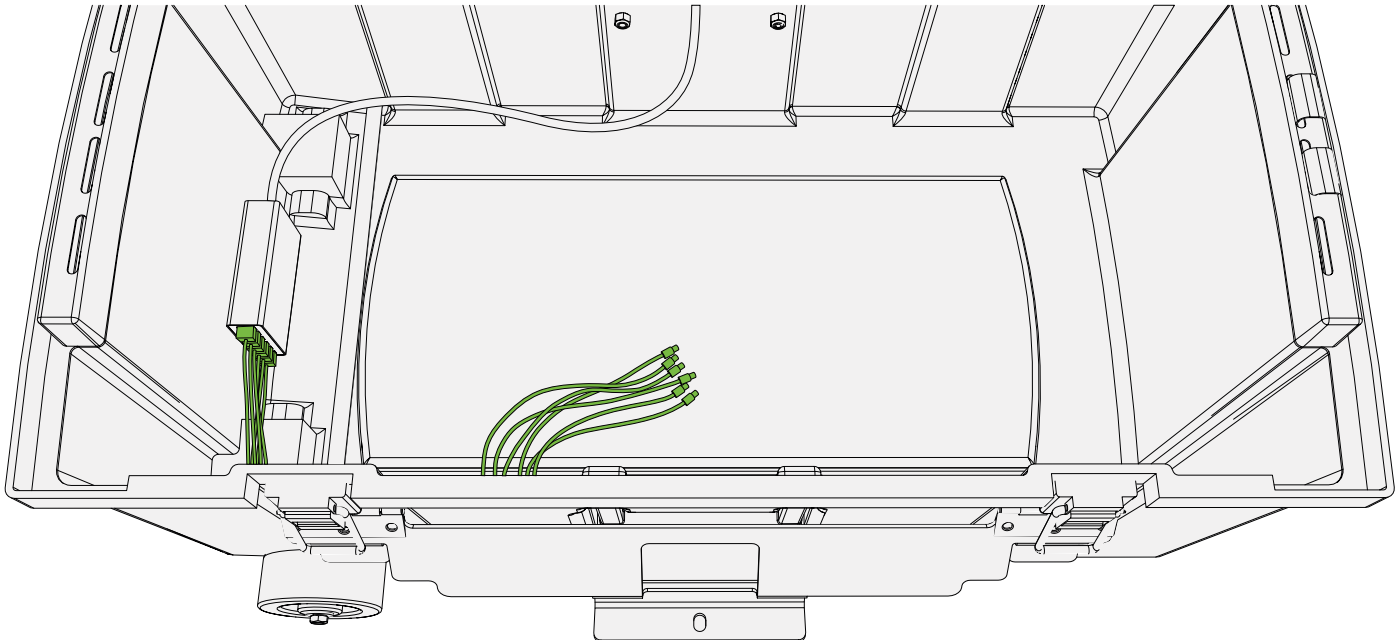
**!** Steps 10-12 are for setting up 12 Cue or 12 Dash

**Feed USB Power cable from lower hub out through hole in back of tub**

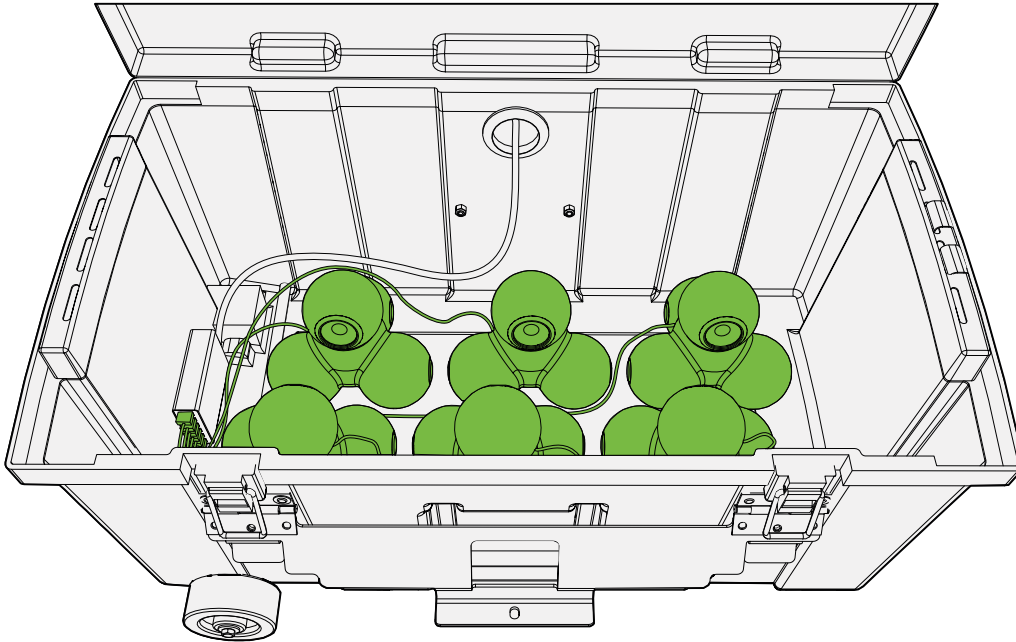


11

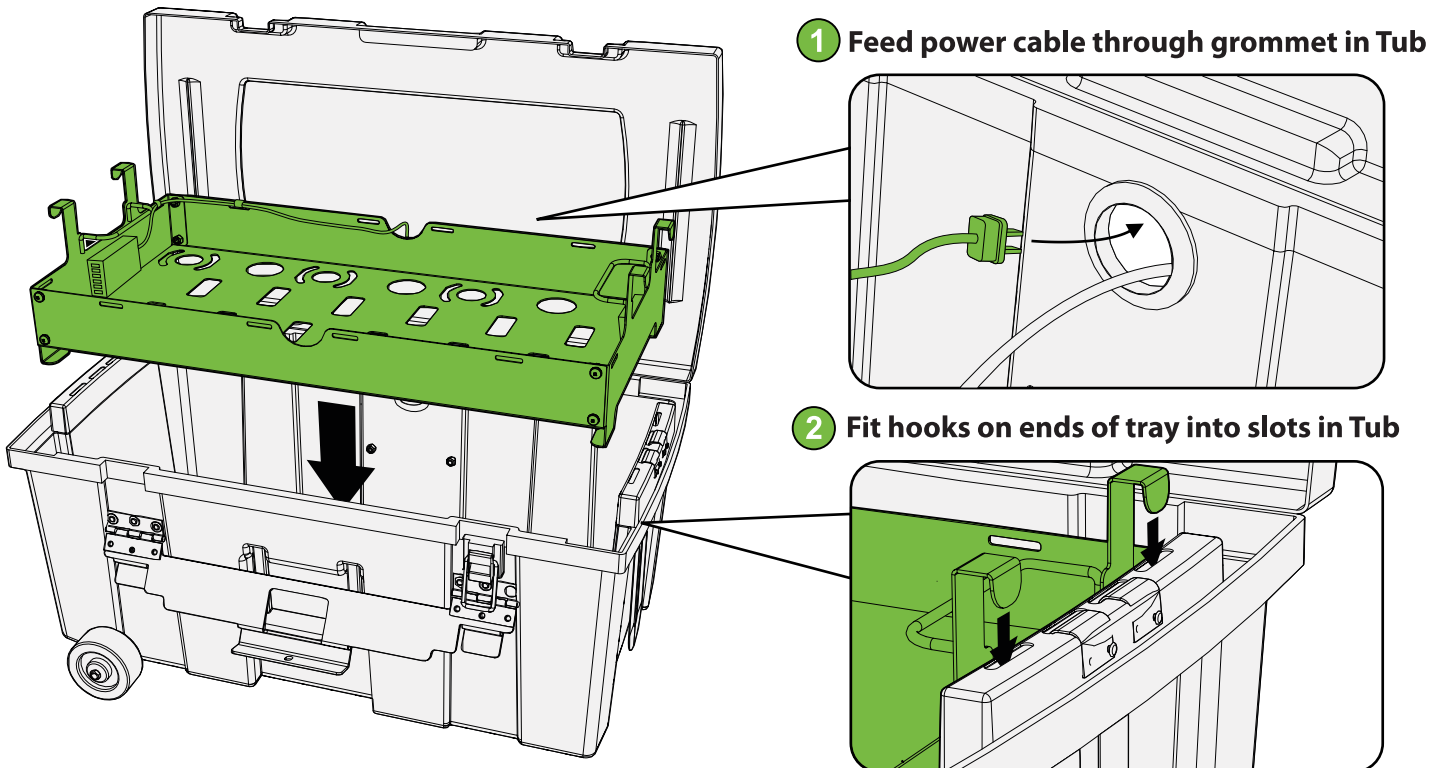
**Plug USB cables into Hub in Bottom Tub**



## Insert 6 Cue or 6 Dash in bottom of tub and plug in USB cables



## Insert Tray into Tub



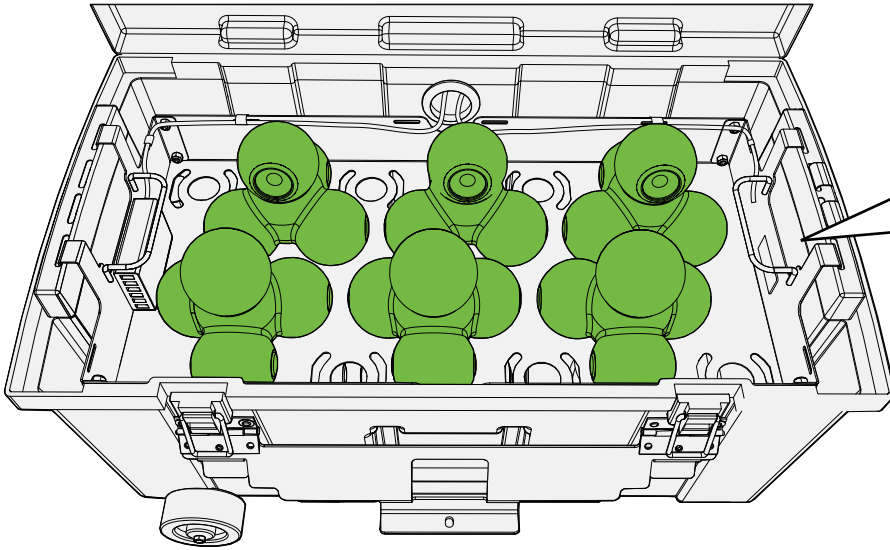
You will need: (Not to Scale)

- Hook & Loop Straps
- Medium
- 2x

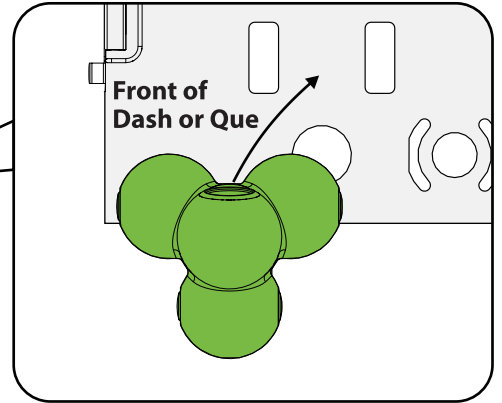


### Setup 6 Cue or 6 Dash in Tray

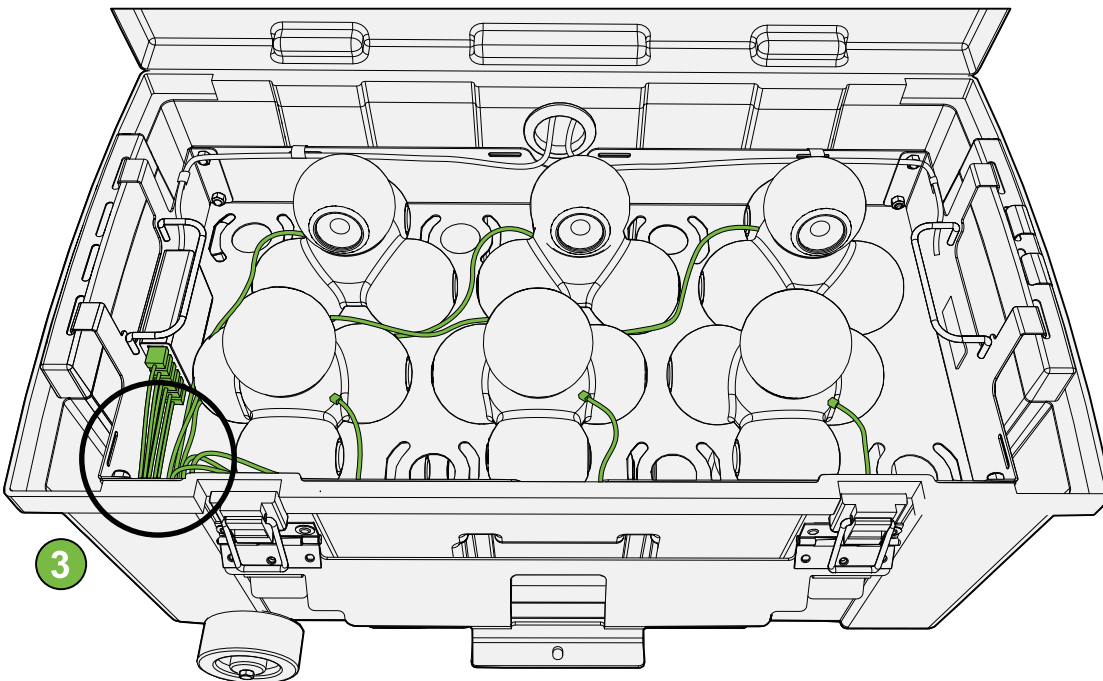
- 1 Place 6 Cue or 6 Dash into slots in Tray

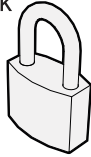
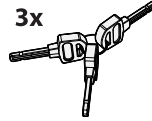


**!** Dash or Cue Robots should face in.



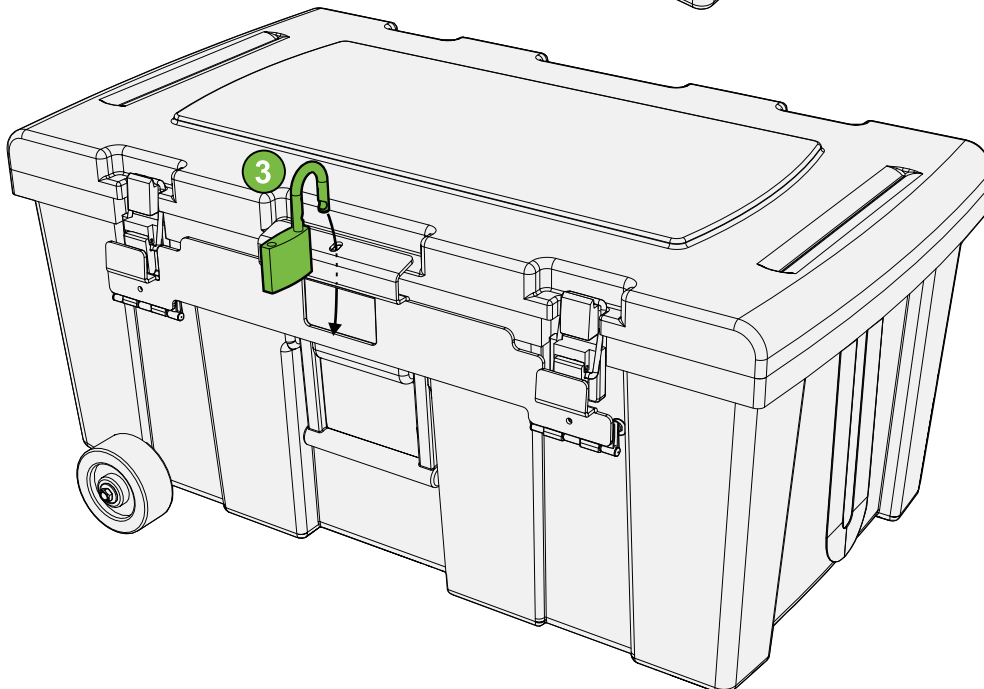
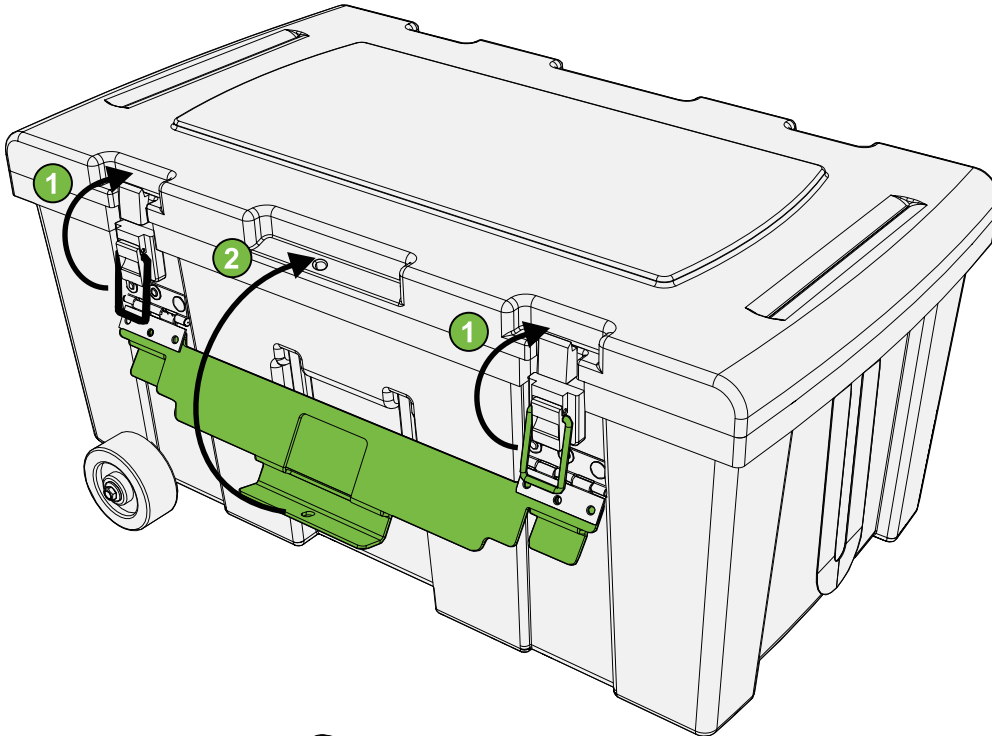
- 2 Plug USB cables into Robots
- 3 Bundle excess USB cable using Velcro straps



Padlock  
1xKey  
3x

## Lock Robotics Storage Tub

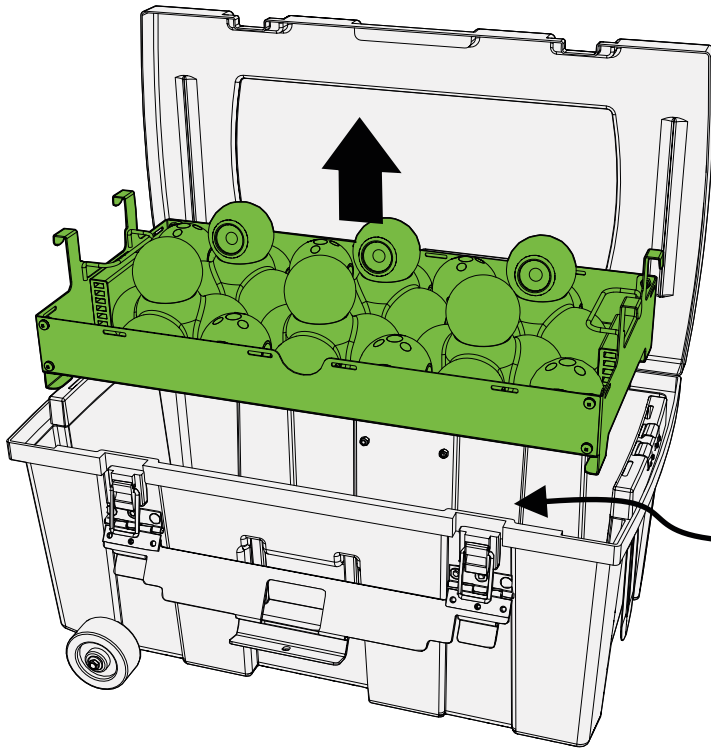
- 1 Close and latch Tub Lid
- 2 Swing Locking Plate up to cover latches
- 3 Insert Padlock through Locking Plate and Tub and lock with Keys



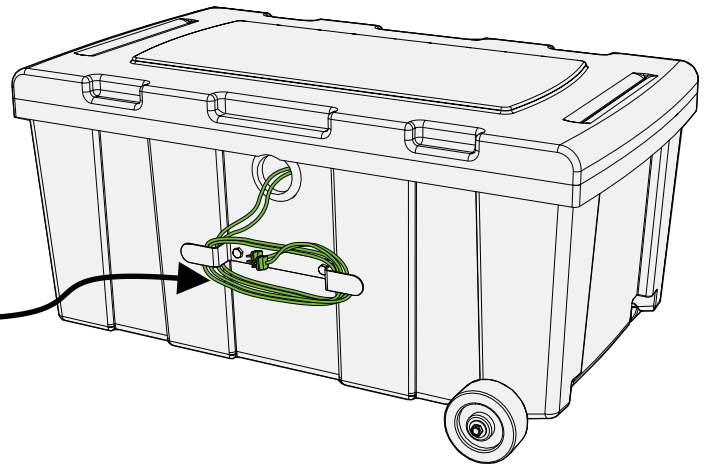




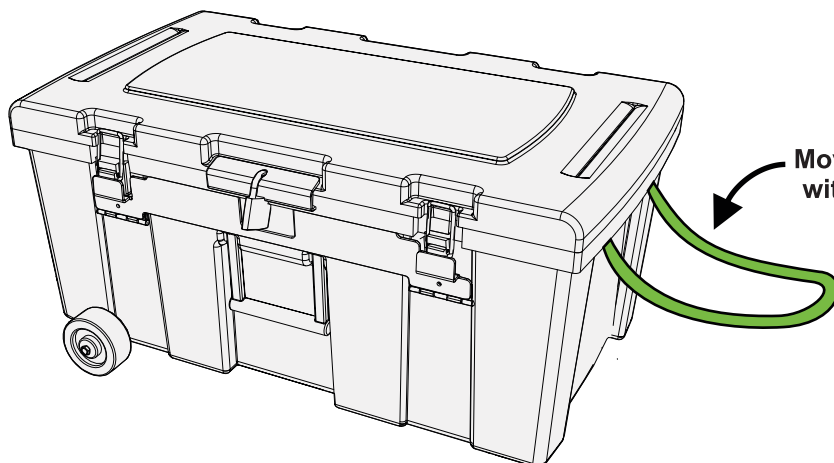
# Tips for Use



Accessory Storage  
in bottom of Tub



Wind cables on cable  
hook before moving Tub



Move Tub easily  
with side strap