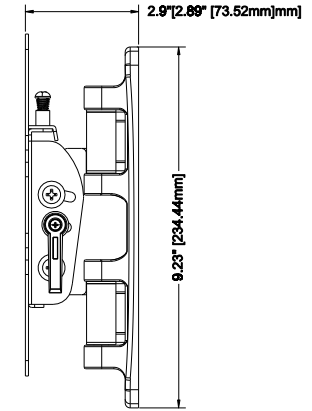
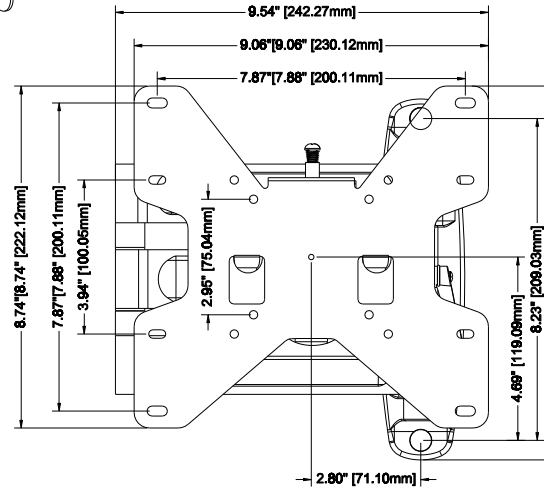
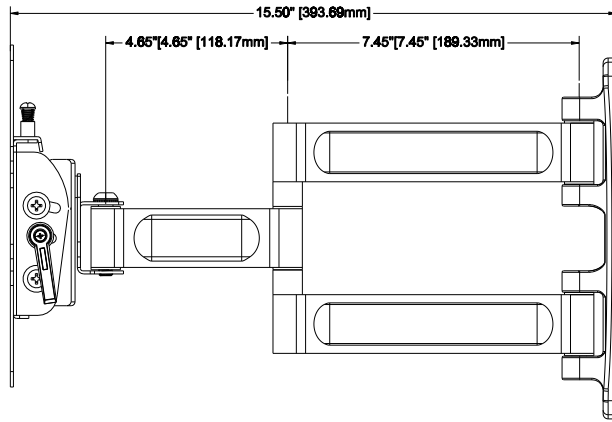
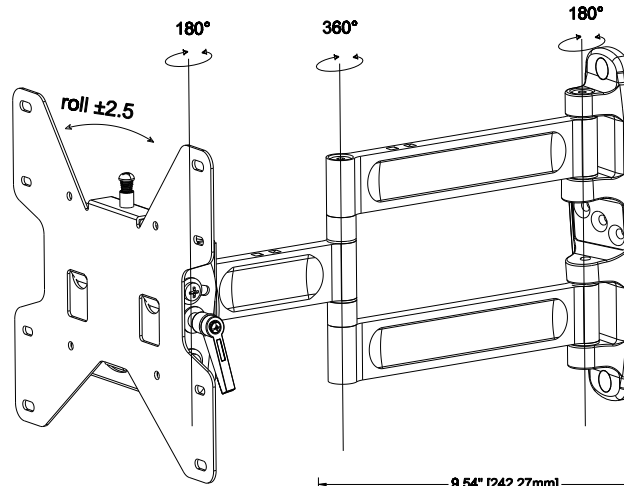




205 Westwood Ave, Long Branch, NJ 07740
 Phone: 866-94 BOARDS (26273) / (732)-222-1511
 Fax: (732)-222-7088 | E-mail: sales@touchboards.com

Maximum load rating: 80 lbs

Tilt +15°/-5°



THE INFORMATION CONTAINED IN THIS DRAWING IS THE SOLE PROPERTY OF CRIMSON AV LLC. ANY REPRODUCTION IN PART OR AS A WHOLE WITHOUT THE WRITTEN PERMISSION OF CRIMSON AV LLC IS PROHIBITED

CRIMSON AV LLC.

PRODUCT ORDER NUMBER: A37F

Crimson AV LLC.
www.crimsonav.com

TITLE:

A37F

SIZE

DWG.NO.

A37F

Scale=1:1