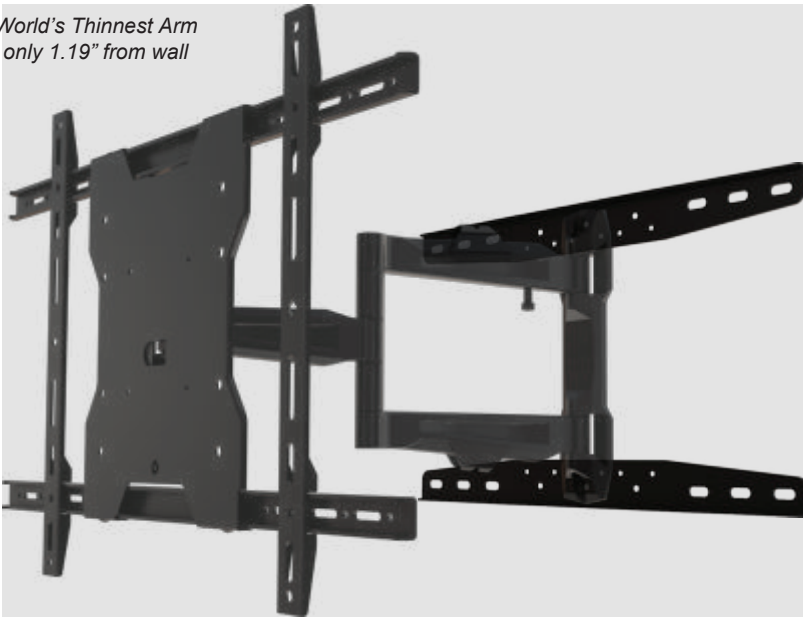




**AU65WP20**

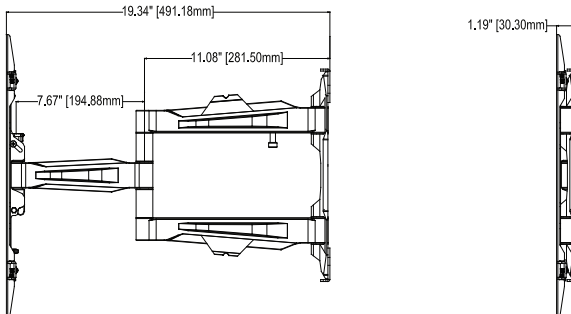
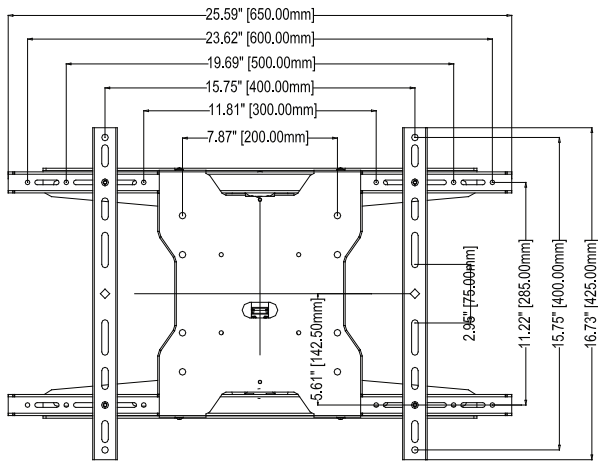
World's Thinnest Arm  
only 1.19" from wall



Dual stud adapter for added security and perfect placement

3 Attachment points and a built in level

Model	TV Sizes	Max Mounting Pattern (WxH)	Load Rating
AU65WP20	30"-65"	600x400mm	80lb



**Installation**

Comes pre-assembled for quick and easy installation. Features a built in level, decorative screw head covers and an easily adjustable tilt mechanism.

**Installation Surfaces**

Installs on single wood stud or masonry surfaces as well as metal studs (HT3 toggle bolt pack required).

**Tilt**

Pre-tensioned smooth functioning tilt mechanism allows +15° of adjustment without the need to continuously readjust a tension knob or screw.

**VESA Compatible Universal Design**

Compatible with all VESA patterns to 600x400mm. Maximum universal mounting pattern 600x400mm.

**Construction**

Fabricated from high-grade aluminum and cold rolled steel with durable epoxy powder coat finish. Includes a complete array of high-grade fasteners, in a pre-sorted hardware pack for easy selection.

