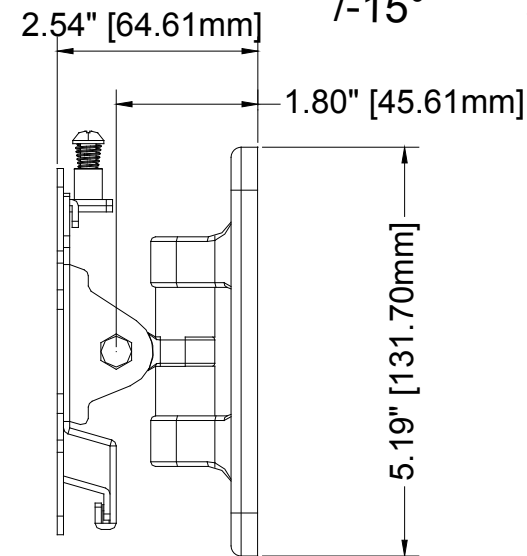
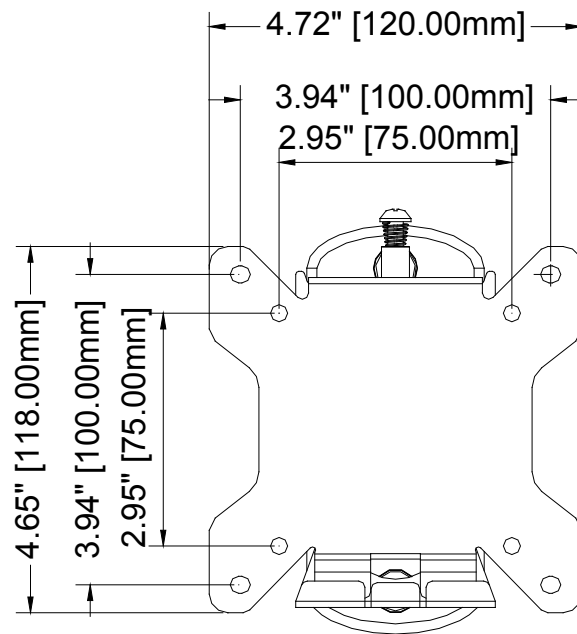
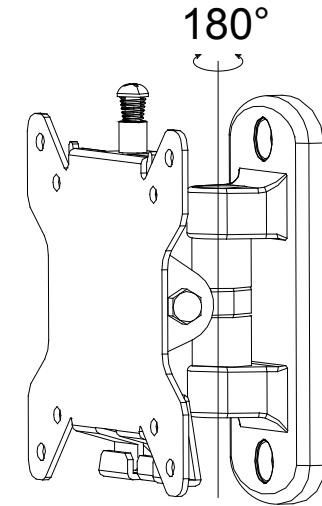


Maximum load rating: 30 lbs



TILT:
+15°
/-15°



THE INFORMATION CONTAINED IN THIS DRAWING IS THE SOLE PROPERTY OF CRIMSON AV LLC. ANY REPRODUCTION IN PART OR AS A WHOLE WITHOUT THE WRITTEN PERMISSION OF CRIMSON AV LLC IS PROHIBITED



CRIMSON AV LLC.

PRODUCT ORDER NUMBER: PV100
PHONE: 1-866-668-6888

Scale: 1:1

Crimson AV LLC. www.crimsonav.com	
TITLE: PV100	
SIZE B	DWG.N.O. PV100