



## WEIGHT CAPACITY

**EN** Maximum Weight Capacity

**75lb / 34kg**

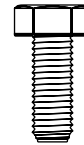
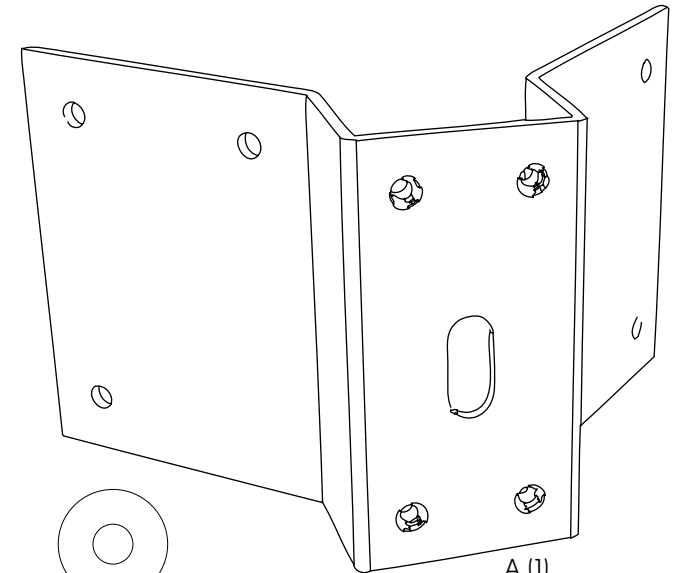


## ⚠ WARNING! ⚠

**WARNING! SEVERE PERSONAL INJURY AND PROPERTY DAMAGE CAN RESULT FROM IMPROPER INSTALLATION OR ASSEMBLY. READ THE FOLLOWING WARNINGS BEFORE BEGINNING.**

Do not use this product for any purpose not explicitly specified by Crimson AV. Improper installation may cause property damage or personal injury. If you do not understand these directions, or have doubts about the safety of the installation, contact Crimson AV Customer Service or call a qualified contractor. Crimson AV is not liable for damage or injury caused by incorrect mounting, assembly, or use.

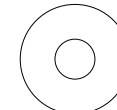
**DO NOT EXCEED THE MAXIMUM WEIGHT CAPACITY FOR THIS PRODUCT**



B (4)  
Stainless Steel  
Bolts



C (4)  
Lock Washers



D (4)  
Stainless Steel  
Bolts

A (1)  
Aluminum  
Corner  
Bracket

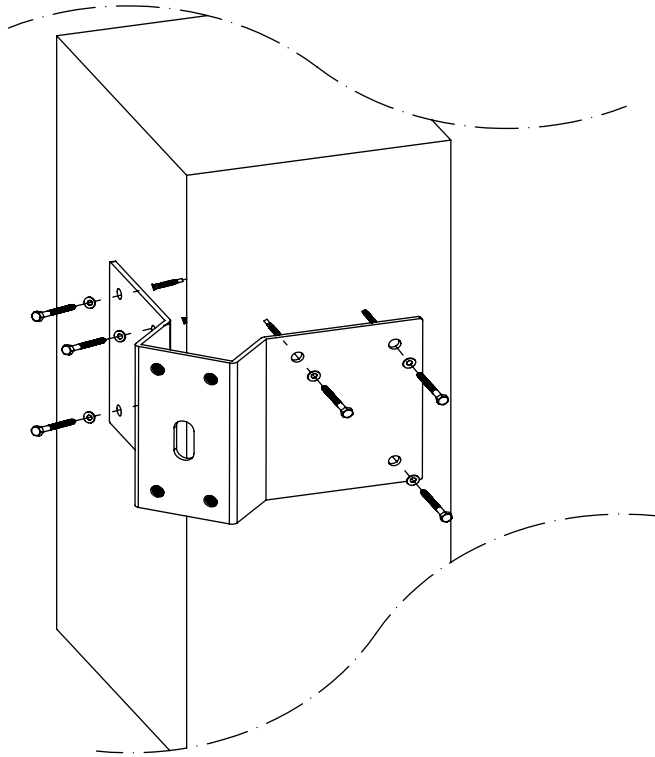
## WARRANTY

Congratulations on the purchase of this Crimson product! The product you now have in your possession is made of durable materials and is based on a design, every detail of which has been meticulously thought-out. That is why Crimson AV LLC products are covered by a 10-year warranty against defects in materials or manufacturing.

Crimson AV LLC disclaims any liability for modifications, improper installations, or installations over the specified weight range. To the maximum extent permitted by law, Crimson AV LLC disclaims any other warranties, expressed or implied, including warranties of fitness for a particular purpose and warranties of merchantability. Crimson AV LLC will not be liable for any damages arising out of the use of, or inability to use, Crimson AV LLC products. Crimson AV LLC bears no responsibility for incidental or consequential damages. This includes, but is not limited to, any labor charges for the repair of Crimson AV LLC products performed by anyone other than Crimson AV LLC.

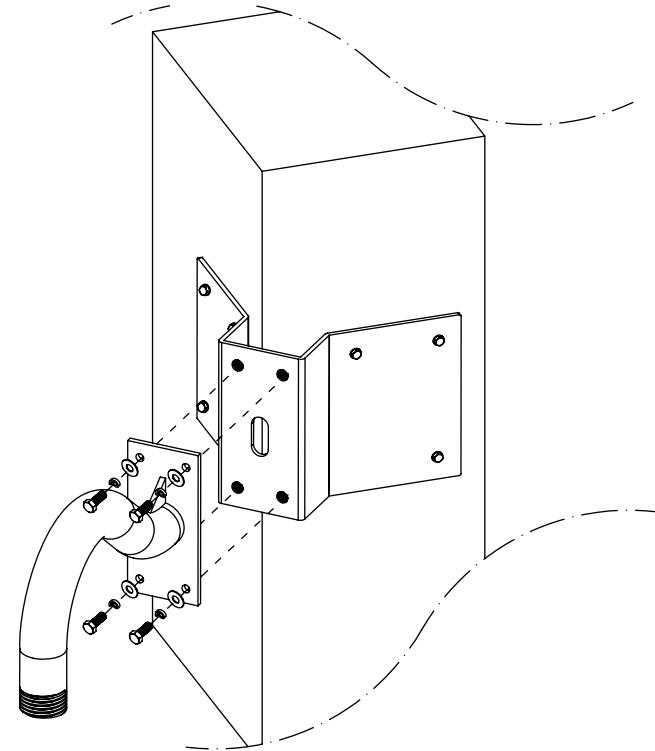
Specifications are subject to change without prior notice.

# INSTALLATION INSTRUCTIONS



- 1** Attach RW90 to outside corner of building. Use of steel expansion anchors (not included) for installation on masonry surfaces is recommended.

- 2** Attach RW12 using the included stainless steel bolts, then install camera according to manufacturer's instructions.



**CRIMSON**<sup>®</sup>  
AV MOUNTING SOLUTIONS

© 2010 Crimson AV LLC. All rights reserved.  
Crimson is a Crimson AV LLC brand. Crimson  
and Crimson AV Mounting Solutions logos are  
trademarks of Crimson AV LLC.

Crimson AV LLC  
10513 United Parkway  
Schiller Park, IL 60176  
1-847-260-5189

RW90-0001