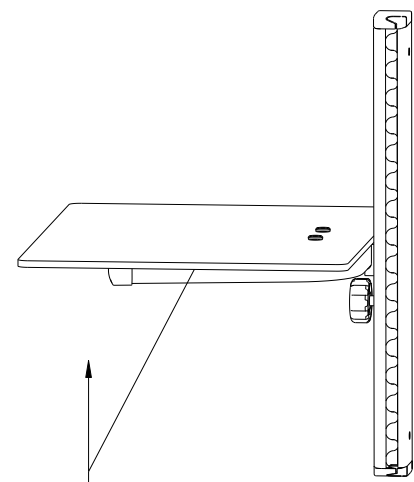
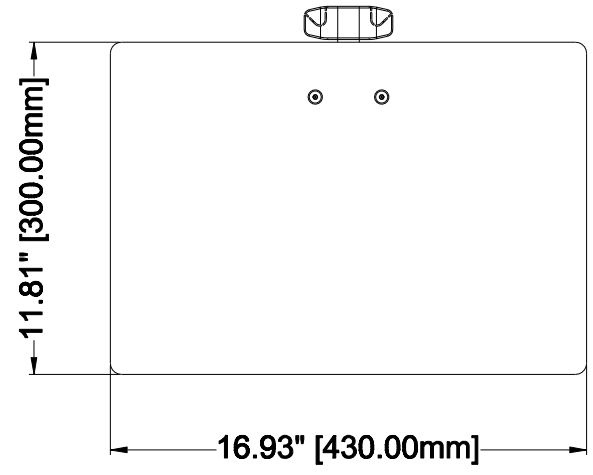
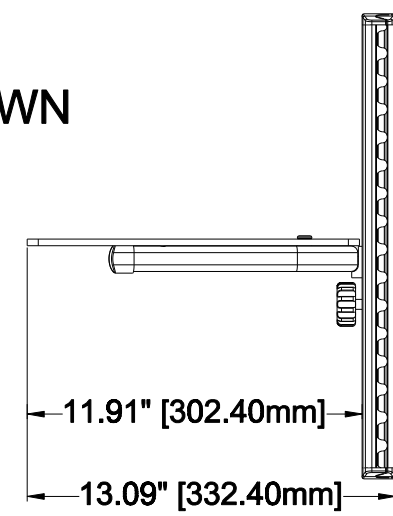
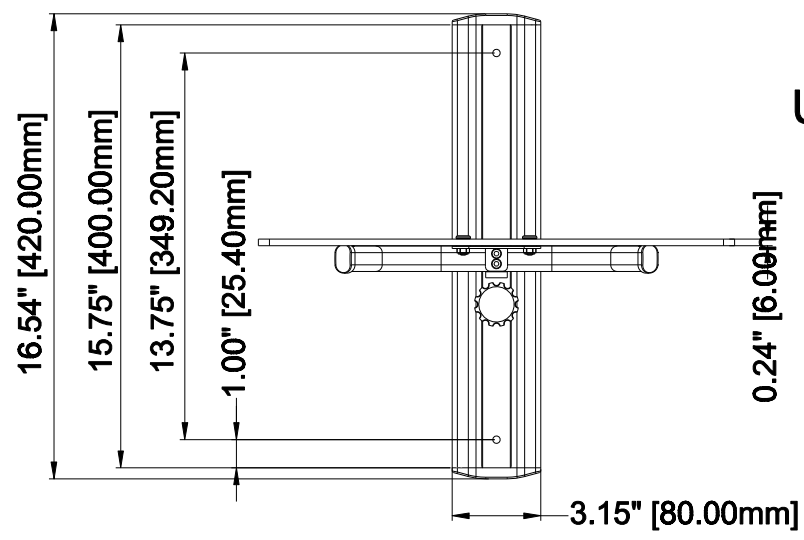


1 2 3 4 5 6 7 8

Maximum load rating: 50 lbs



UP&DOWN



THE INFORMATION CONTAINED IN THIS DRAWING IS THE SOLE PROPERTY OF CRIMSON AV LLC. ANY REPRODUCTION IN PART OR AS A WHOLE WITHOUT THE WRITTEN PERMISSION OF CRIMSON AV LLC IS PROHIBITED

CRIMSON AV LLC.
 PRODUCT ORDER NUMBER: WA1
 PHONE: 1-866-668-6888

Crimson AV LLC. www.crimsonav.com	
TITLE:	WA1
SIZE B	DWG.NO. WA1

Scale=1:1

1 2 3 4 5 6 7 8