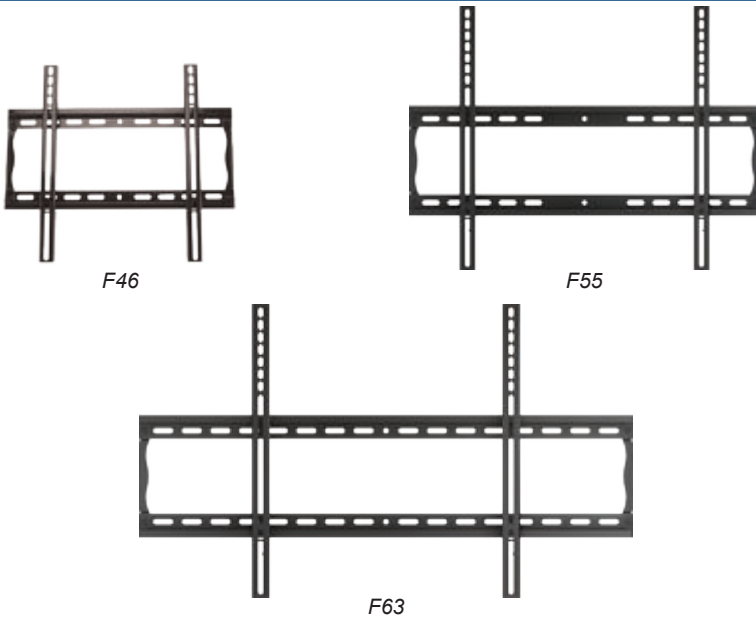




**Flat**



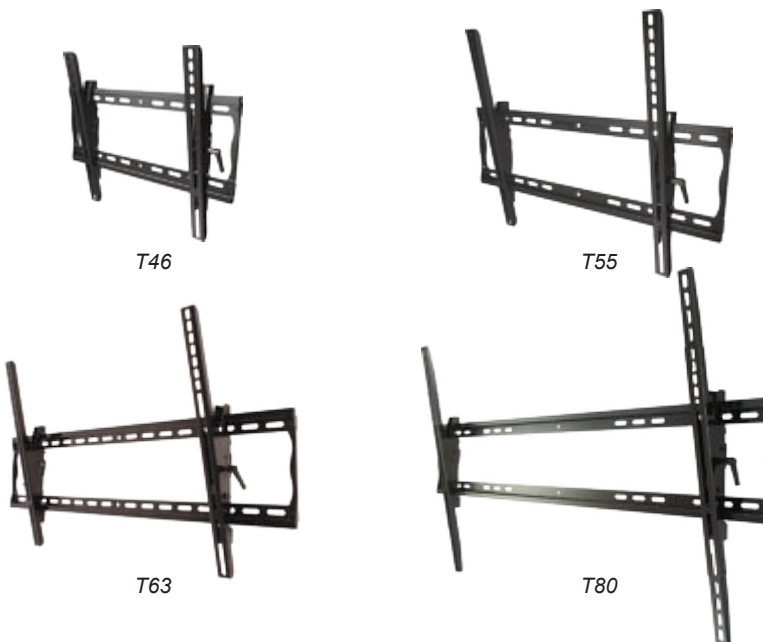
Model	TV Sizes	Max Mounting Pattern (WxH)	Load Rating
F46	26"-46"	452x401mm	150lb
F55	32"-55"	660x501mm	200lb
F63	37"-63"	838x501mm	200lb



Kickstand for easy cord installation

Lock and key system available on tilting mounts

**Tilt**



Model	TV Sizes	Max Mounting Pattern (WxH)	Load Rating
T46	26"-46"	452x401mm	150lb
T55	32"-55"	660x501mm	200lb
T63	37"-63"	838x501mm	200lb
T80	46"-65"+	1105x760mm	250lb

**Installation**

Quick, easy, and efficient installation. Flexible, open wall plate design with a kickstand for simple cable routing and lateral shift for easy positioning. Places display on flat models 1.2" and tilt models 2.2" from wall. Optional lock and key security system is available for tilt models.

**Installation Surfaces**

Double or triple wood stud structures, depending on model. Also mounts to structural concrete and cinder block surfaces. For metal stud installation, use Crimson HT toggle bolt hardware.

**Tilt**

Pre-tensioned tilt mechanism with ratcheting handle benefits bottom-heavy displays.

**VESA Compatible Universal Design**

Series covers all VESA patterns to 1100x700mm. Maximum universal mounting pattern 1105x760mm.

**Construction**

Fabricated from high-grade cold rolled steel with durable epoxy powder coat finish. Includes a complete array of high-grade fasteners, in a pre-sorted hardware pack for easy selection. UL Listed.