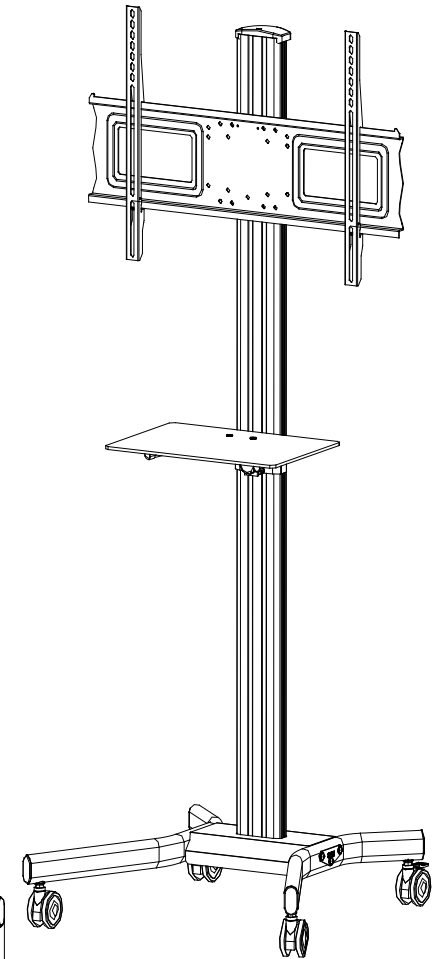
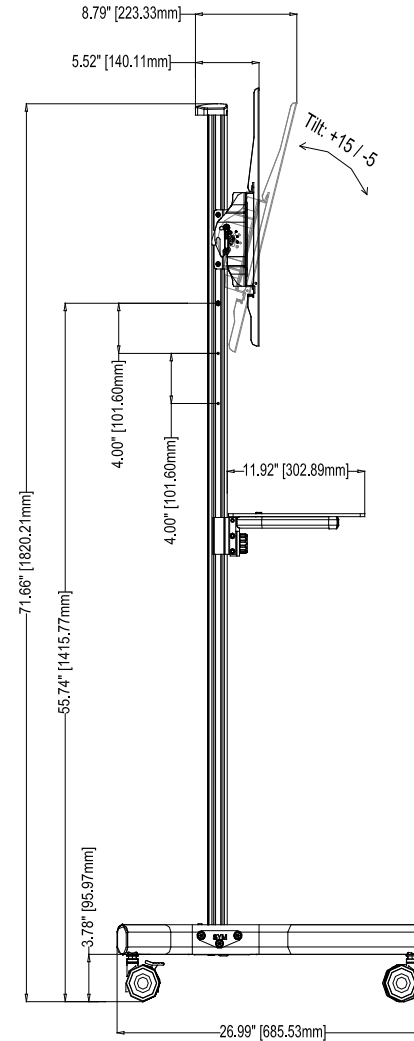
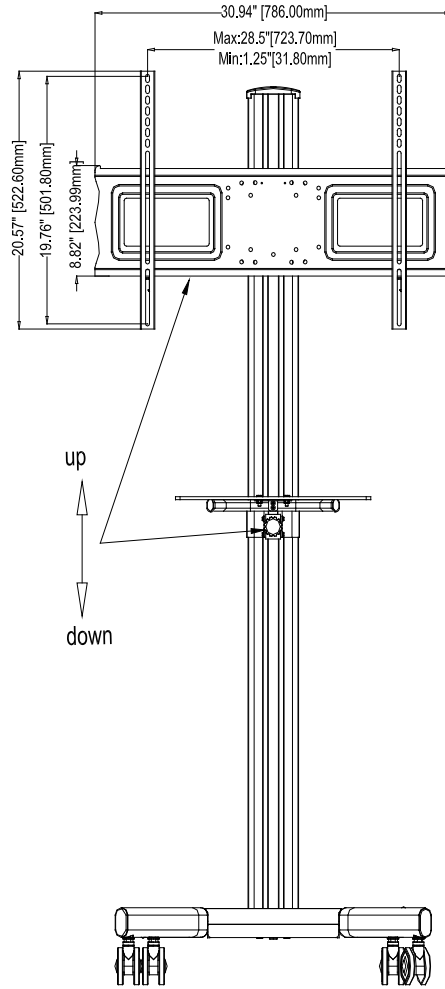
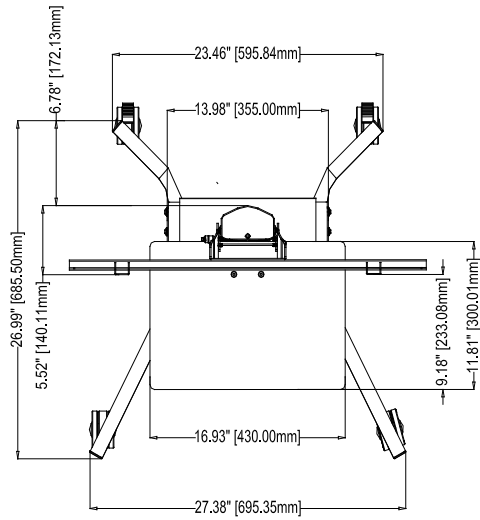


# Touchboards

205 Westwood Ave, Long Branch, NJ 07740  
 Phone: 866-94 BOARDS (26273) / (732)-222-1511  
 Fax: (732)-222-7088 | E-mail: sales@touchboards.com

Maximum load rating: 150 lbs



THE INFORMATION CONTAINED IN THIS DRAWING IS THE SOLE PROPERTY OF CRIMSON AV LLC. ANY REPRODUCTION IN PART OR AS A WHOLE WITHOUT THE WRITTEN PERMISSION OF CRIMSON AV LLC IS PROHIBITED



CRIMSON AV LLC.

PRODUCT ORDER NUMBER: **M631G**  
 PHONE: 1-866-668-6888

Scale=1:1

Crimson AV LLC. www.crimsonav.com	
TITLE: <b>M631G</b>	
SIZE B	DWG.N.O. <b>M631G</b>