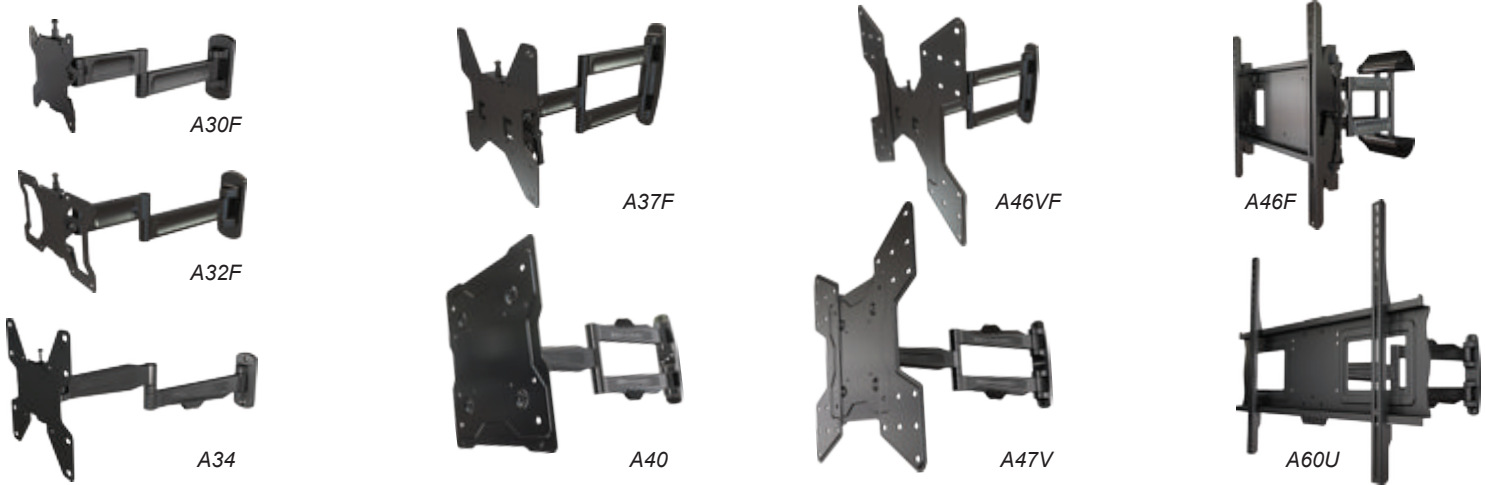




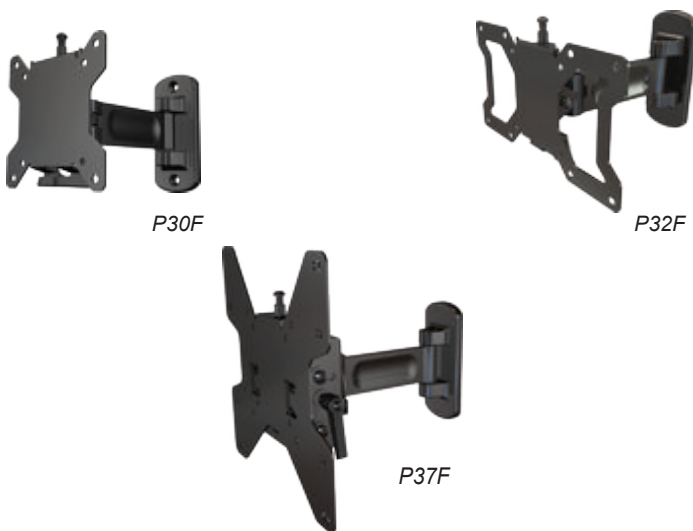
Articulating (Dual Link)



Model	TV Sizes	Max Mounting Pattern (WxH)	Max Extension From Wall	Load Rating
A30F	10"-30"	100x100mm	14.6"	30lb
A32F	13"-32"	200x100mm	14.6"	30lb
A34	13"-34"	200x200mm	20.7"	30lb
A37F	13"-37"	200x200mm	15.4"	80lb
A40	13"-40"	200x200mm	21.0"	80lb
A46VF	13"-46"	400x400mm	15.7"	80lb
A47V	13"-47"	400x400mm	21.0"	80lb
A46F	26"-46"	454x401mm	15.5"	100lb
A60U	37"-60"	756x501mm	22.0"	80lb



Pivot (Single Link)



Model	TV Sizes	Max Mounting Pattern (WxH)	Max Extension From Wall	Load Rating
P30F	10"-30"	100x100mm	7.2"	30lb
P32F	13"-32"	200x100mm	7.2"	30lb
P37F	13"-37"	200x200mm	7.8"	80lb

Installation

Quick, easy and efficient installation. Product ships pre-assembled.

Installation Surfaces

Single stud, structural concrete, cinder block, or other structural surfaces.

Choice of Extension from Wall

Functional, durable and competitively priced solutions. Extension length choices include single link minimal extensions, 15" extensions (F-models), and 21" extensions.

Expandable to 400x400mm VESA

Easily expandable through 47" TVs with addition of the AD400 VESA pattern extender (A40, A37F, P37F).

VESA Compatible

Series covers all VESA patterns to 600x400mm.

Construction

Fabricated from high-grade cold rolled steel and aluminum with durable epoxy powder coat finish. Includes a complete array of high-grade fasteners, in a pre-sorted hardware pack for easy selection. UL Listed.