

# 86" LG Stretch Compatible

## Wall Mounts & Stands

for displays 37" to 86"

### Four Display Options

Designed for the LG 86" Stretch display, select from four different configurations to achieve the perfect viewing solution.

### Designed for High-Traffic Areas

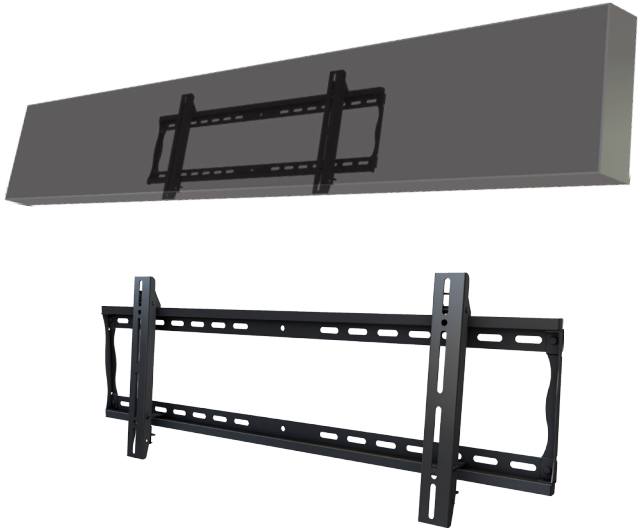
The floor stands are engineered with ultra flat heavy-duty bases for safety in high-traffic areas, minimizing risk of a tripping hazard while also maximizing stability.

### Portrait or Landscape Orientation

Mounts are available in portrait orientation for standing mounts, and in landscape orientation for wall mounts.



Attribute	Value
TV size range	37" - 86"
Orientation	Landscape
Weight capacity	150lbs (68.03kg)
Max mounting pattern	711x200mm
Lateral adjustment	Continuous lateral adjustment to 28.03"
VESA mounting patterns	200x200mm, 300x200mm, 400x200mm, 600x200mm, 711x200 (max)
Pivot	41°
Construction	High grade cold rolled steel
Color	Black
Shipping Weight	24.25 lbs (10.99kg)
Warranty	10 year limited lifetime
Model number	A86F



Attribute	Value
TV size range	37" - 86"
Orientation	Landscape
Weight capacity	150lbs (68.03kg)
Max mounting pattern	794x200mm
Lateral Adjustment	Continuous lateral adjustment to 31.26"
VESA mounting patterns	200x200mm, 300x200mm, 400x200mm, 600x200mm, 794x200mm (max)
Packaging Dimensions	35.25" x 10.24" x 3.15"
Shipping weight	8.0 lbs (3.62kg)
Construction	High-grade cold rolled steel
Product finish	Scratch resistant epoxy powder coat
Color	Black
Warranty	10 year limited lifetime
Model number	F86LG

# 86" LG Stretch Compatible Mounts

Wall Mounts & Stands

for displays 37" to 86"

1-866-MOUNT-TV  
www.crimsonav.com



Attribute	Value
Monitor size	37" - 86"
Orientation	Portrait
Weight capacity	150lb
Max mounting pattern	200x672mm
VESA mounting patterns	200x200mm, 200x300mm, 200x400mm, 200x600mm
Tilt	Locking incremental
Packaging Dimensions	Multiple boxes
Shipping weight	Multiple boxes
Construction	High-grade cold rolled steel and aluminum
Product finish	Scratch resistant epoxy powder coat
Color	Black
Model number	S86LG
Warranty	Lifetime

## S86LG

### Portrait Orientation Floor Stand

The S86LG includes universal mounting brackets to handle up to a 200mm wide by 600mm tall VESA pattern. Features an ultra flat base that is perfect for high traffic areas, and continuous height adjustment.



Attribute	Value
Monitor size	37" - 86"
Orientation	Portrait
Weight capacity	300lb
Max mounting pattern	200x672mm
VESA mounting patterns	200x200mm, 200x300mm, 200x400mm, 200x600mm
Tilt	Locking incremental
Packaging Dimensions	Multiple boxes
Shipping weight	Multiple boxes
Construction	High-grade cold rolled steel and aluminum
Product finish	Scratch resistant epoxy powder coat
Color	Black
Model number	S86LGD
Warranty	Lifetime

## S86LGD

### Back-to-Back Stand for Two 86" Displays

Designed to accommodate two back-to-back displays, the S86LGD includes universal mounting brackets to handle up to a 200mm wide by 672mm tall VESA pattern. Features an ultra flat base that is perfect for high traffic areas and continuous height adjustment.