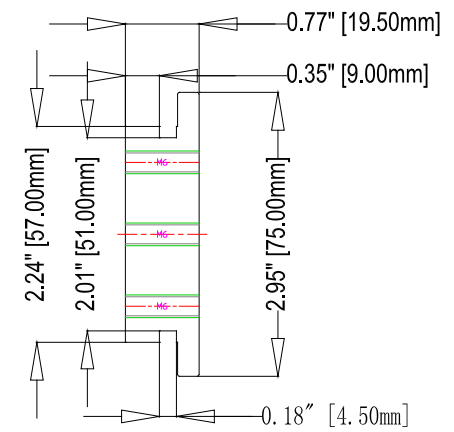
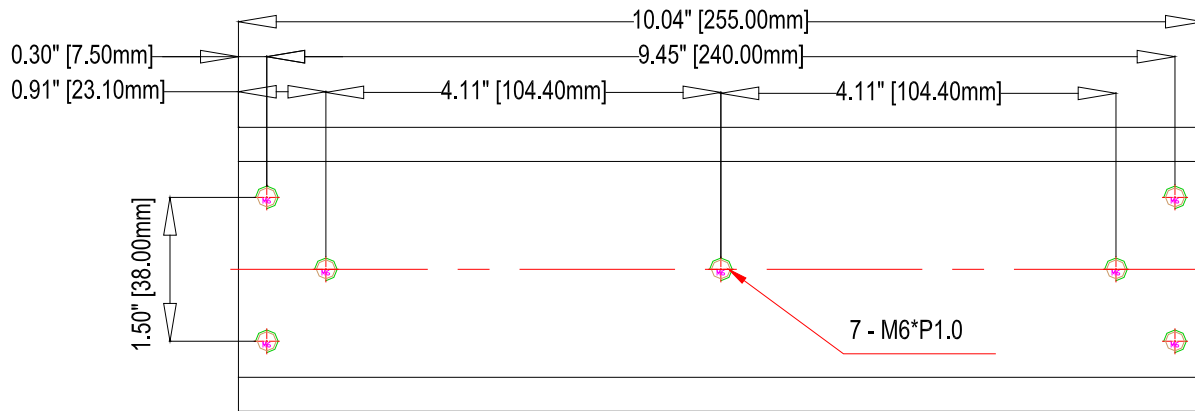
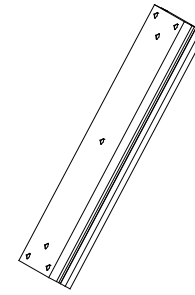


1 2 3 4 5 6 7 8

load rating: lbs



THE INFORMATION CONTAINED IN THIS DRAWING IS THE SOLE PROPERTY OF CRIMSON AV LLC. ANY REPRODUCTION IN PART OR AS A WHOLE WITHOUT THE WRITTEN PERMISSION OF CRIMSON AV LLC IS PROHIBITED



CRIMSON AV LLC.

PRODUCT ORDER NUMBER: ADHW40
PHONE: 1-866-668-6888

Scale=1:1

Crimson AV LLC.
www.crimsonav.com

TITLE: ADHW40

SIZE DWG.NO. ADHW40

1 2 3 4 5 6 7 8