

2

3

4

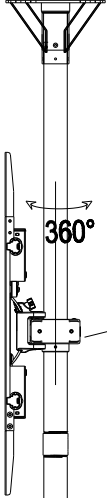
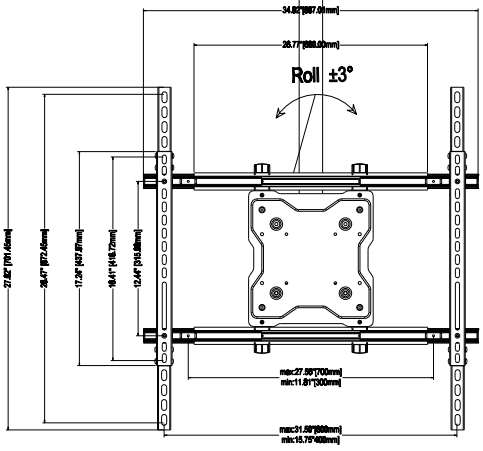
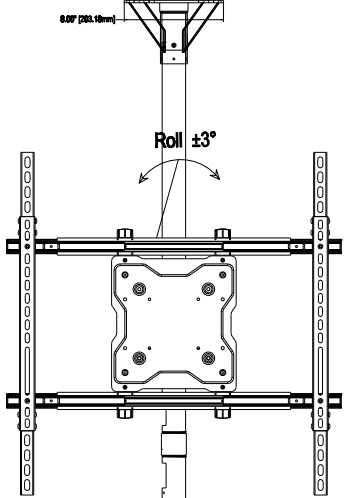
5

6

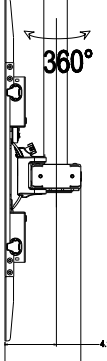
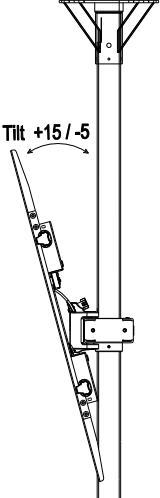
7

8

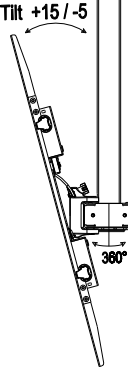
Maximum load rating: 150 lbs



UP & DOWN



4.14" (105.2mm)
8.11" (205.9mm)



THE INFORMATION CONTAINED IN THIS DRAWING IS THE SOLE PROPERTY OF CRIMSON AV LLC. ANY REPRODUCTION IN PART OR AS A WHOLE WITHOUT THE WRITTEN PERMISSION OF CRIMSON AV LLC IS PROHIBITED

CRIMSON AV LLC.
 PRODUCT ORDER NUMBER: **C2K65**
 PHONE: **1-866-668-6888**

Crimson AV LLC. www.crimsonav.com	
TITLE:	C2K65
SIZE B	DWG.NO. C2K65

Scale=1:1

1

2

3

4

5

6

7

8