



Professional Solutions - Unrivalled Value

Complete ceiling mounting solution in a single box. Available in two height adjustable sizes (24"-36" and 36"-60"). Includes screen adapter, adjustable ceiling column and ceiling interface for mounting to structural wood beams or concrete ceilings (concrete fasteners required). VESA screen adapter fits 75x75mm, 100x100mm, 200x100mm and 200x200mm hole patterns. Screen may be mounted in portrait or landscape mode (except with 200x100 pattern).

13"-46" / 33cm-94cm

160 LB / 73 KG (80lb per screen)

Various Screen Sizes

Fits most 13" to 46" flat panel screens weighing 80lb or less.

VESA Compatible

Compatible with 75X75mm, 100X100mm, 200X100mm and 200X200mm sizes.

Height Adjustment

1" incremental drop length adjustments (24"-36" and 36"-60" standard kits).

Cable Management

Easily route cables through 1.5" diameter extension column.

Multi-angle Positioning

Up to 20° of continuous tilt and 360° rotation.

Easy Installation

Pre-assembled securing screw makes installation fast and easy.

Included Hardware

Pre-sorted hardware pack for easy component selection and installation (hardware for installation to wood studs or concrete surfaces included).

Functional Specifications

Tilt: +20°/-0°

Rotation: 360°

Mounting Surfaces: Structural wood beams (with included hardware) & concrete & other structural surfaces (requires additional hardware or accessories).

Max Mounting Pattern:

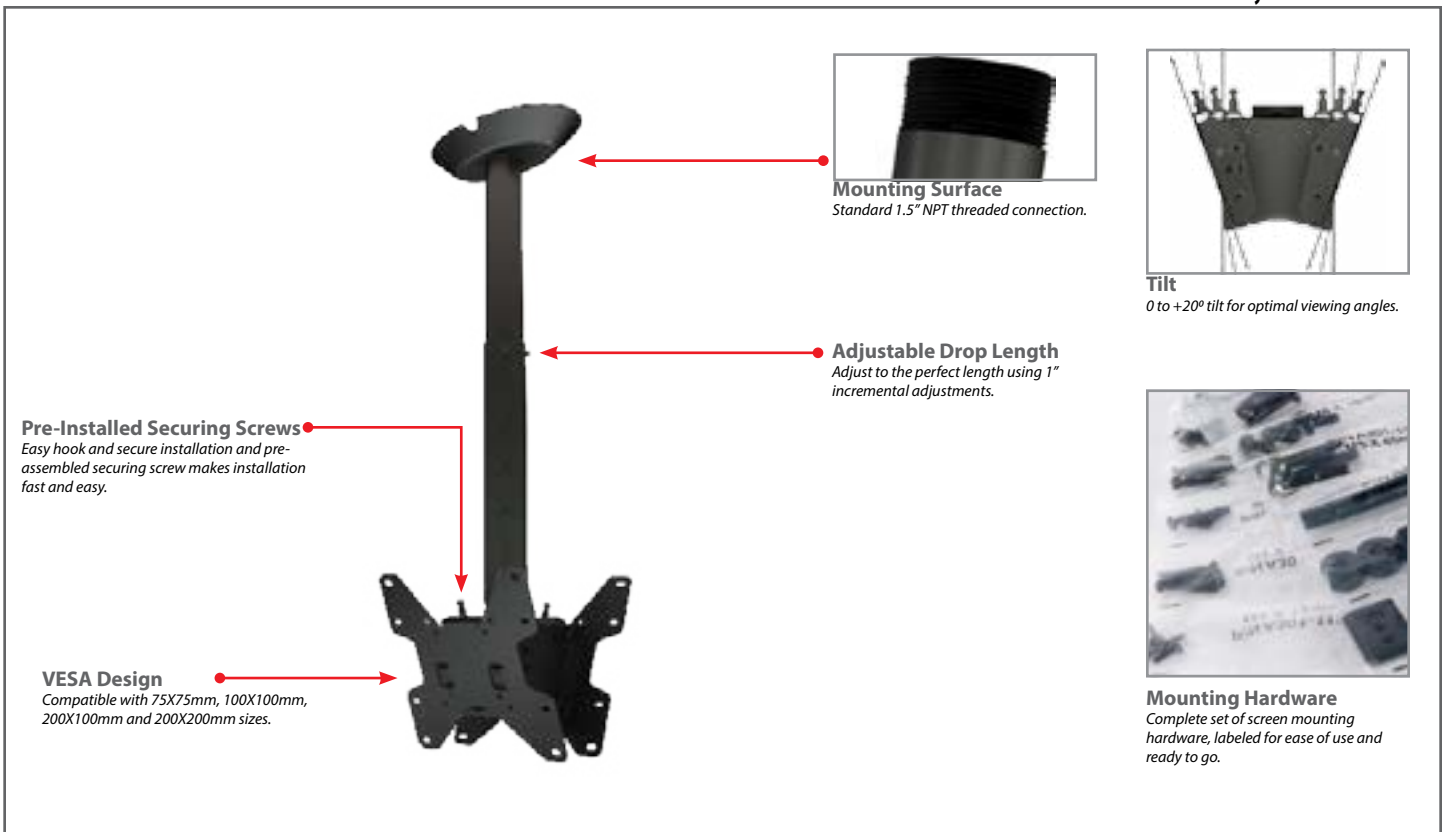
200mm (7.9") width

200mm (7.9") height

Drop Length: 24"-36" in 1" increments.

Load Capacity: 160 LB / 73 KG

Warranty: Limited 10 Years

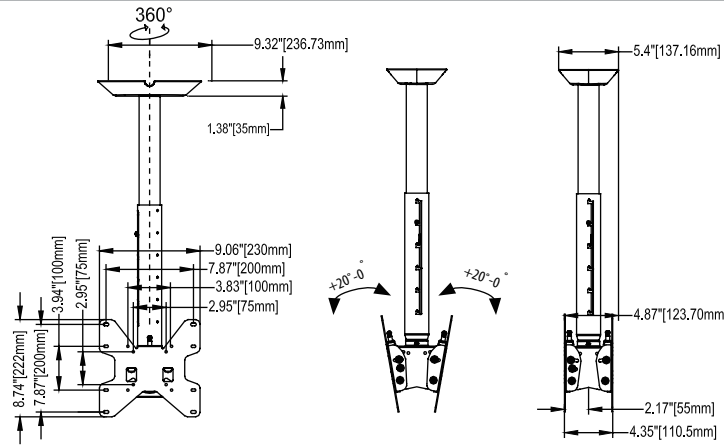




Dual Flat Panel Ceiling Mount

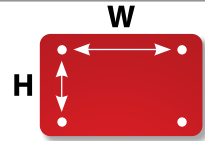
For 13" to 46" (33-94cm) LCD and Plasma TV's

C37D-36A (BLACK)



Product Specifications				Package Specifications			
PRODUCT WEIGHT	LOAD CAPACITY	COLORS	FINISH	PACKAGE SIZE (WxHxD)	SHIP WEIGHT	UPC CODE	PACKAGE CONTENTS
15.4 lb (7 Kg)	160 lb (73 Kg) total 80 lb (36 Kg) each	Black	Scratch resistant powder coating	27" x 11.4" x 8.8" (686 x 290 x 224 mm)	21.8 lb (9.9 Kg)	C37D-36A (Black) 0815885010637	Mount, screen mounting hardware, product manual.

Mounting Interface



Max Mounting Pattern
200mm (W) x 200mm (H)

VESA	W	H	75mm	100mm	200mm	200mm
	X	X	X	X	X	X
			75mm	100mm	100mm	200mm

Accessories

Suspended Ceiling Adapters



CAS1W

For mounting above a false ceiling tile. 13" of lateral shift for fast project adjustment. Compatible with all 1.5" NPT threaded pipe.



CAS2W

Replaces a standard 2' x 2' grid. 13" of lateral shift for fast project adjustment. Compatible with all 1.5" NPT threaded pipe.

Structural Ceiling Adapters



CA1

Wood Single Joist / Concrete



CA2

Wood 16" Double Joist / Concrete



CA4

General Purpose 4x4"



CA8

General Purpose 8x8"

Truss Ceiling Adapter



CAT3

Mounts to round, square and rectangular trusses from .75" up to 3" in diameter and is compatible with all 1.5" NPT threaded pipe.

Vaulted Ceiling Adapter



CAV1

For installation on cathedral or vaulted ceilings. Adjusts up to 94° and is compatible with all 1.5" NPT threaded pipe.

Unistrut Ceiling Adapters



CAU1

Bracket and hardware for mounting to single 1-5/8"x1-5/8" Unistrut.



CAU4

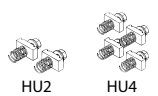
Bracket and hardware (4x4) for mounting to standard 1-5/8"x1-5/8" dual channels spaced on 2.25" centers.



CAU8

Bracket and hardware (8x8) for mounting to standard 1-5/8"x1-5/8" dual channels spaced on 6" centers.

Unistrut Bolts



HU2 (2 Bolts) HU4 (4 Bolts)

3/8" bolts and spring nuts for mounting ceiling brackets to standard 1-5/8"x1-5/8".

Fixed Columns

Static ceiling columns for use with all ceiling adapters using standard 1.5" NPT interfaces. Connectors (sold separately) give ability to extend drop lengths by connecting two or more columns. Cable management with a completely open interior.



BLACK	DROP
E06	6"
E1	12"
E018	18"
E2	2'
E3	3'
E4	4'
E5	5'
E6	6'
E7	7'
E8	8'
E9	9'
E10	10'

Adjustable Columns

Adjustable extension columns designed for use with all ceiling adapters using standard 1.5" NPT interfaces. Column allows for flexibility with quick 1" incremental drop length adjustments and cable management with a completely open interior. Connectors (sold separately) give ability to extend drop lengths by connecting two or more columns.



BLACK	DROP
EA0611	6"-11"
EA01218	12"-18"
EA01824	18"-24"
EA23	2'-3'
EA24	2'-4'
EA35	3'-5'
EA46	4'-6'
EA57	5'-7'
EA68	6'-8'
EA79	7'-9'
EA810	8'-10'
EA911	9'-11'
EA1012	10'-12'

Visit crimsonav.com to see the full line of vidamounts LCD/plasma, projector and TV/monitor mounts. © 2010 Crimson AV LLC. All rights reserved.