



**Professional Solutions - Unrivalled Value**

Screen adapters and ceiling box assembly for mounting back to back dual 13" to 46" flat panel screens. Continuous tilt of 20° forward with 360° rotation. Makes a secure installation quick and easy, simply hang the screens and turn the pre-assembled securing screws to lock in place. Compatible with all 1.5" NPT threaded pipe.

13"-46" / 33cm-116cm

160 LB / 73 KG

**Functional Specifications**

**Tilt:** +20°/-0°  
**Rotation:** 360°

**Mounting Surfaces:** 1.5" NPT Threaded connection.

**Max Mounting Pattern:**  
200mm (7.9") width  
200mm (7.9") height

**Load Capacity:** 160 LB / 73 KG  
**Warranty:** Limited 10 Years

- **Fits Flat Panels**  
*Fits most 13" to 46" flat panel screens weighing up to 80lb each.*
- **Vesa Compatible**  
*Compatible with 75X75mm, 100X100mm, 200X100mm and 200X200mm sizes.*
- **Standard Interface**  
*Mounts to any 1.5" NPT threaded pipe.*
- **Multi-angle Positioning**  
*Up to 20° of continuous tilt and 360° rotation.*
- **Easy Installation**  
*Pre-assembled securing screw makes installation fast and easy.*
- **Included Hardware**  
*Pre-sorted hardware pack for easy component selection and installation (hardware for installation to wood studs or concrete surfaces included).*

**Pre-Installed Securing Screws**  
*Easy hook and secure installation and pre-assembled securing screw makes installation fast and easy.*

**Mounting Surface**  
*Standard 1.5" NPT threaded connection.*

**Tilt**  
*0 to +20° tilt for optimal viewing angles.*

**Mounting Hardware**  
*Complete set of screen mounting hardware, labeled for ease of use and ready to go.*

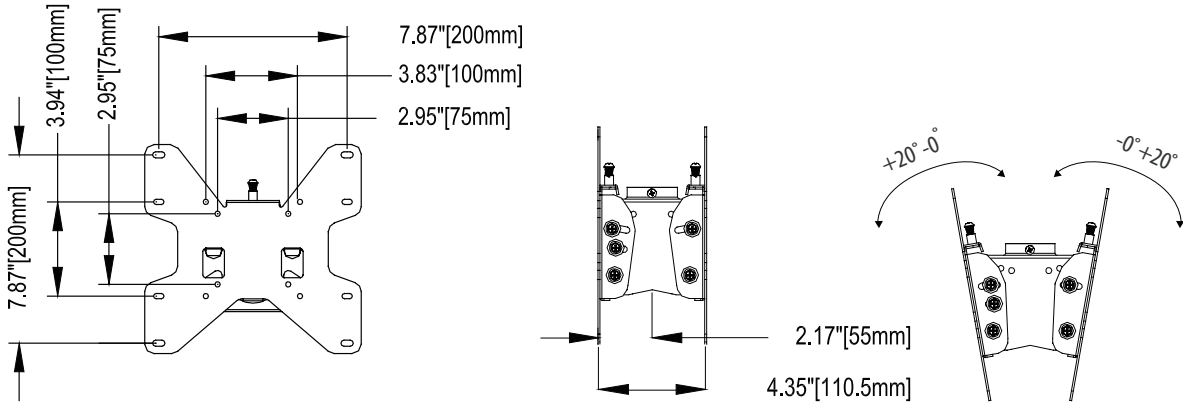
**VESA Design**  
*VESA compliant with 75X75mm, 100X100mm, 200X100mm and 200X200mm sizes.*



# Dual Flat Panel Ceiling Mount

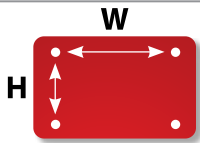
For 13" to 46" (33-116cm) LCD and Plasma TV's

C37D (BLACK)



Product Specifications				Package Specifications			
PRODUCT WEIGHT	LOAD CAPACITY	COLORS	FINISH	PACKAGE SIZE (WxHxD)	SHIP WEIGHT	UPC CODE	PACKAGE CONTENTS
6.2lb (2.8kg)	160lb (73kg) total 80lb (36 Kg) each	Black	Scratch resistant powder coating	10" x 9.4" x 4.7" (254 x 239 x 119 mm)	8.2lb (3.7kg)	C37D (Black) 0815885010835	Mount, screen mounting hardware, product manual.

## Mounting Interface



**Max Mounting Pattern**  
200mm (W) x 200mm (H)

VESA	W	H	75mm	100mm	100mm	200mm
	X		75mm	100mm	200mm	200mm

## Accessories

### Suspended Ceiling Adapters



CAS1W

For mounting above a false ceiling tile. 13" of lateral shift for fast project adjustment. Compatible with all 1.5" NPT threaded pipe.



CAS2W

Replaces a standard 2' x 2' grid. 13" of lateral shift for fast project adjustment. Compatible with all 1.5" NPT threaded pipe.

### Structural Ceiling Adapters



CA1

Wood Single Joist / Concrete



CA2

Wood 16" Double Joist / Concrete



CA4

General Purpose 4x4"



CA8

General Purpose 8x8"

### Truss Ceiling Adapter



CAT3

Mounts to round, square and rectangular trusses from .75" up to 3" in diameter and is compatible with all 1.5" NPT threaded pipe.

### Vaulted Ceiling Adapter



CAV1

For installation on cathedral or vaulted ceilings. Adjusts up to 94° and is compatible with all 1.5" NPT threaded pipe.

### Unistrut Ceiling Adapters



CAU1

Bracket and hardware for mounting to single 1-5/8"x1-5/8" Unistrut.



CAU4

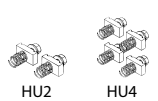
Bracket and hardware (4x4) for mounting to standard 1-5/8"x1-5/8" dual channels spaced on 2.25" centers.



CAU8

Bracket and hardware (8x8) for mounting to standard 1-5/8"x1-5/8" dual channels spaced on 6" centers.

### Unistrut Bolts



HU2 (2 Bolts) HU4 (4 Bolts)

3/8" bolts and spring nuts for mounting ceiling brackets to standard 1-5/8"x1-5/8".

### Fixed Columns

Static ceiling columns for use with all ceiling adapters using standard 1.5" NPT interfaces. Connectors (sold separately) give ability to extend drop lengths by connecting two or more columns. Cable management with a completely open interior.



BLACK	DROP
E06	6"
E1	12"
E018	18"
E2	2'
E3	3'
E4	4'
E5	5'
E6	6'
E7	7'
E8	8'
E9	9'
E10	10'

### Adjustable Columns

Adjustable extension columns designed for use with all ceiling adapters using standard 1.5" NPT interfaces. Column allows for flexibility with quick 1" incremental drop length adjustments and cable management with a completely open interior. Connectors (sold separately) give ability to extend drop lengths by connecting two or more columns.



BLACK	DROP
EA0611	6"-11"
EA01218	12"-18"
EA01824	18"-24"
EA23	2'-3'
EA24	2'-4'
EA35	3'-5'
EA46	4'-6'
EA57	5'-7'
EA68	6'-8'
EA79	7'-9'
EA810	8'-10'
EA911	9'-11'
EA1012	10'-12'

Visit [crimsonav.com](http://crimsonav.com) to see the full line of vidamounts LCD/plasma, projector and TV/monitor mounts. © 2010 Crimson AV LLC. All rights reserved.