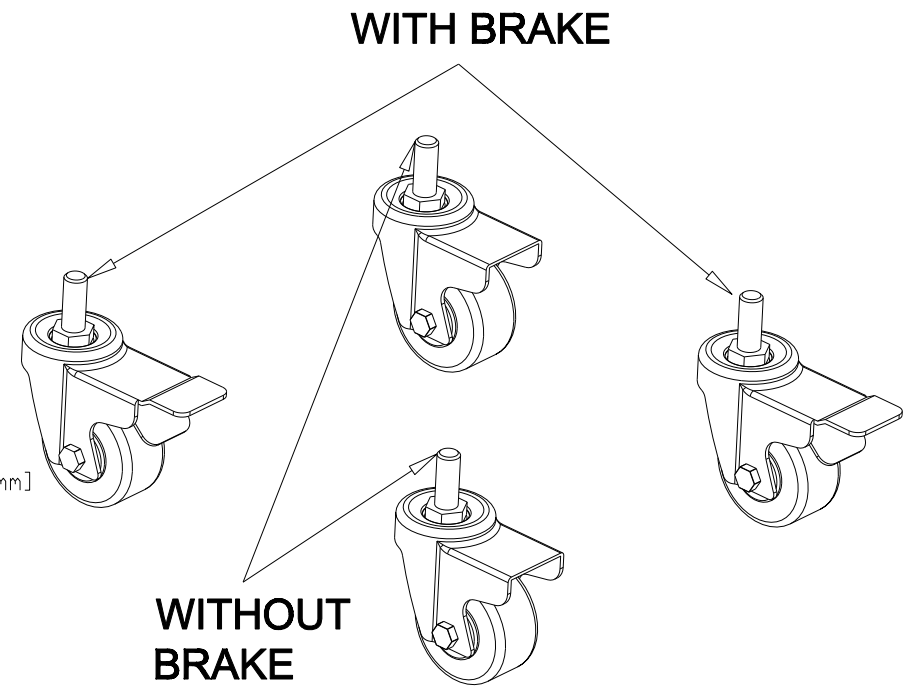
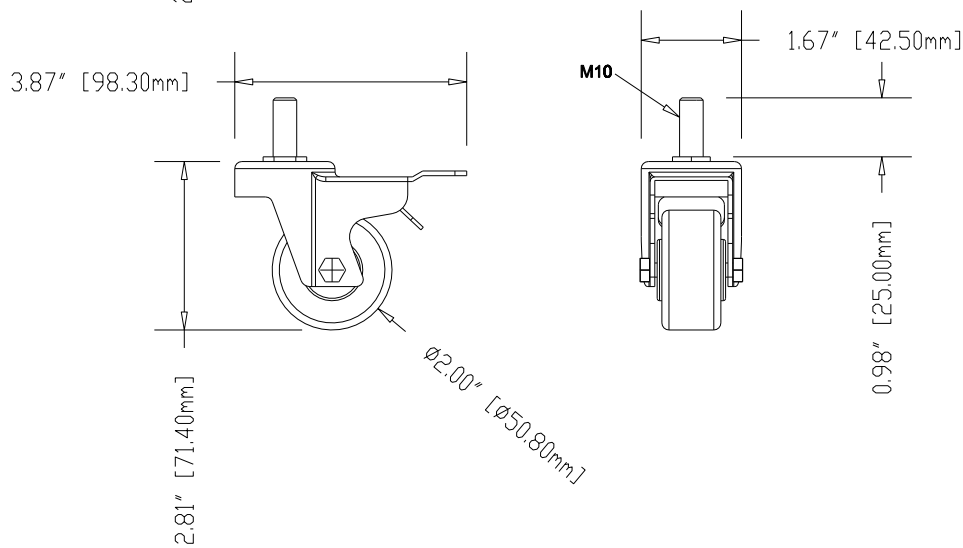
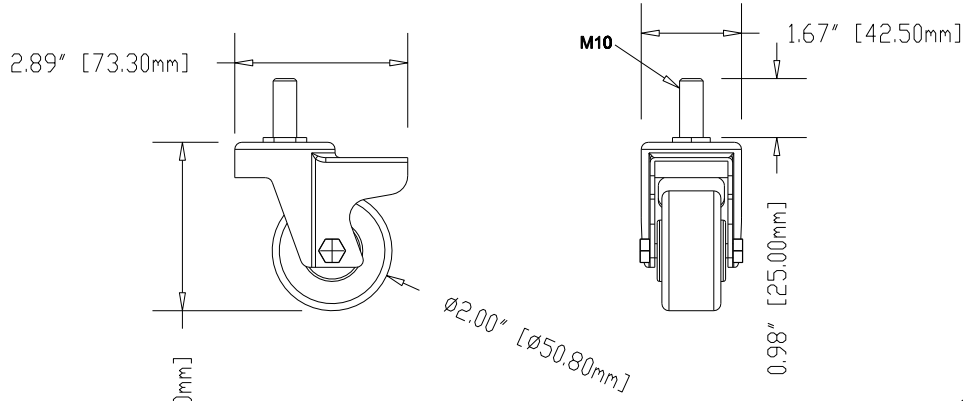


Maximum load rating: 100 lbs



THE INFORMATION CONTAINED IN THIS DRAWING IS THE SOLE PROPERTY OF CRIMSON AV LLC. ANY REPRODUCTION IN PART OR AS A WHOLE WITHOUT THE WRITTEN PERMISSION OF CRIMSON AV LLC IS PROHIBITED

CRIMSON AV LLC.
PRODUCT ORDER NUMBER: **CAST41**
PHONE: **1-866-668-6888**

Scale=1:1

Crimson AV LLC. www.crimsonav.com	
TITLE:	CAST41
SIZE B	DWG.NO. CAST41

