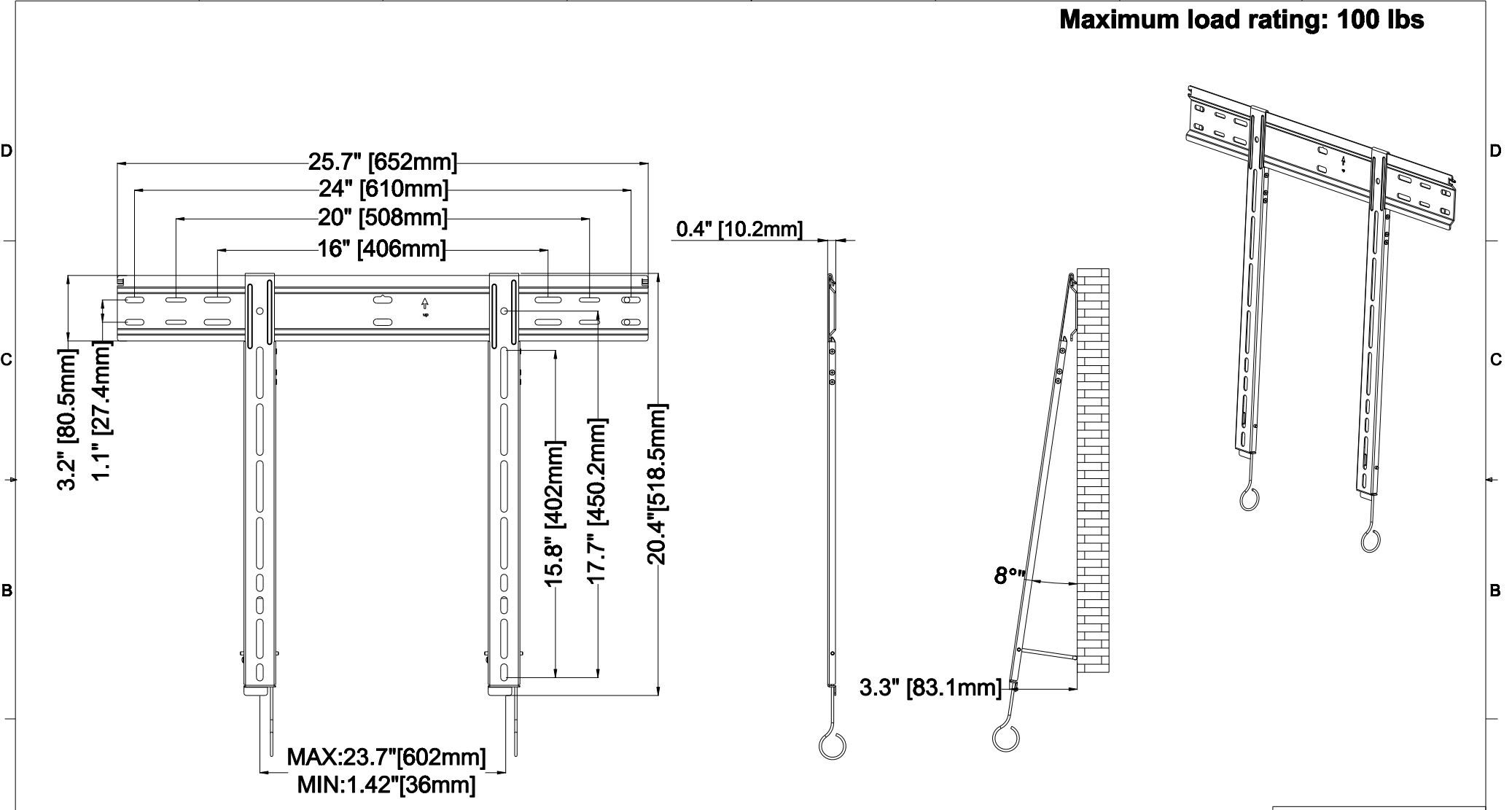


Maximum load rating: 100 lbs



THE INFORMATION CONTAINED IN THIS DRAWING IS THE SOLE PROPERTY OF CRIMSON AV LLC. ANY REPRODUCTION IN PART OR AS A WHOLE WITHOUT THE WRITTEN PERMISSION OF CRIMSON AV LLC IS PROHIBITED

CRIMSON AV LLC.
 PRODUCT ORDER NUMBER: **FU55**
 PHONE: **1-866-668-6888**

Crimson AV LLC. www.crimsonav.com	
TITLE: FU55	
SIZE B	DWG.NO. FU55

Scale=1:1