

Professional Solutions - Unrivalled Value

Complete projector mount kit with suspended ceiling adapter. Three adjustable drop lengths (6" to 11", 12" to 18", 18" to 24"). Ideal for projectors weighing up to 50 lb. Built-in roll, pitch and yaw adjustments make alignment fast and easy. Quick release mechanism allows projector to be easily removed for service. Compatible with all 1.5 NPT threaded pipe.

50 LB / 22.7 kg

Functional Specifications

Roll: ±6°
Pitch: ±25°
Yaw: 360°

Mounting Surfaces: Structural wood beams (with included hardware) & concrete & other structural surfaces (requires additional hardware or accessories)

Max Mounting Pattern:
16.9" (430mm) width
16.9" (430mm) height

Load Capacity: 50 LB / 22.7kg

Adjustable Drop Length
Adjust to the perfect length using 1" incremental adjustments.

Universal Design
Adjustable arm length to fit most projectors weighing 50lbs or less.



Easy Access
Quick release mechanism allows for easy service of projector.



Mounting Surface
Connect using Standard 1.5" NPT threaded connection or attach using 4 hardware slots for optimal compatibility.



Adjustable
Perfectly align your projector using a screwdriver to adjust roll(±6°), pitch(±25°) and yaw(360°).

Fully Adjustable
Roll(±6°), pitch(±25°) and yaw(360°) adjustments with standard screwdriver.

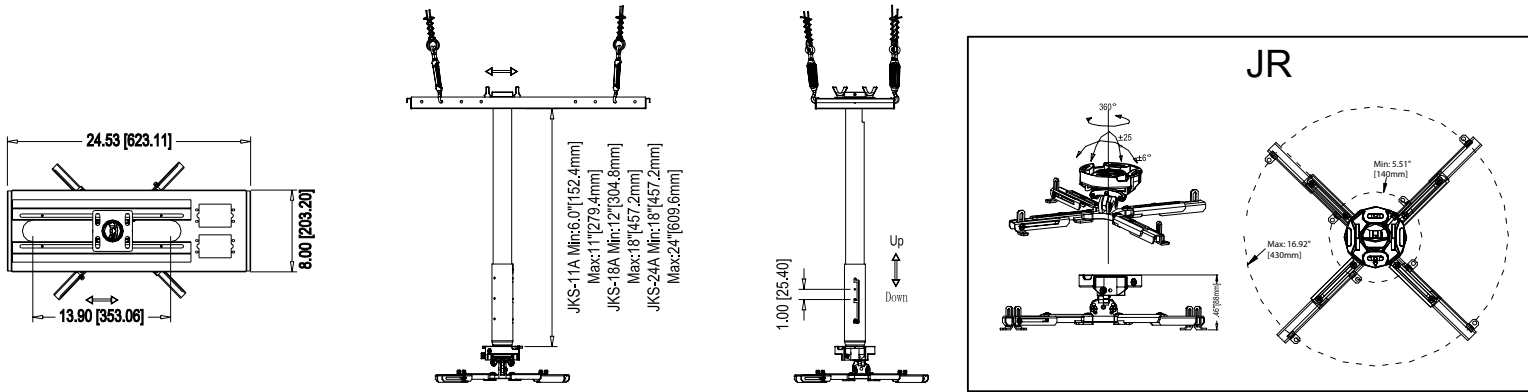
- **Universal Sizes**
Universal ceiling mount for projectors weighing up to 50lb.
- **Pre-Assembled**
Completely pre-assembled mounting interface for quick installation.
- **Easy Access**
Quick release mechanism allows for easy service of projector.
- **Fully Adjustable**
Roll, pitch and yaw adjustments with standard screwdriver.
- **Standard Interface**
Mounts above false ceiling tile on standard 2'x2' or 2'x4' grid system.
- **Three Available Lengths**
Available in 6"-11", 12"-18" and 18"-24" adjustable lengths.
- **Included Hardware**
Pre-sorted hardware pack for easy component selection and installation (hardware for installation to wood studs or concrete surfaces included).



Suspended Ceiling Projector Kit

Fits most projectors weighing 50lb or less

JKS-11A
JKS-18A
JKS-24A



Product Specifications				Package Specifications			
PRODUCT WEIGHT	LOAD CAPACITY	COLORS	FINISH	PACKAGE SIZE (WxHxD)	SHIP WEIGHT	UPC CODE	
12.8lb 14.1lb 15.2lb	50 lb (22.7 Kg)	Black	Scratch resistant powder coating	12"x9"x7" 16"x9"x7" 23"x9"x7"	17.8lb 18.8lb 20lb	JKR-11A	
						JKR-18A	
						JKR-24A	

Accessories

Suspended Ceiling Adapter



CAS1W

For mounting above a false ceiling tile. 13" of lateral shift for fast project adjustment. Compatible with all 1.5" NTP threaded pipe.



CAS2W

Replaces a standard 2' x 2' grid. 13" of lateral shift for fast project adjustment. Compatible with all 1.5" NTP threaded pipe

Structural Ceiling Adapters



CA1

Wood Single Joist / Concrete



CA2

Wood 16" Double Joist / Concrete



CA4

General Purpose 4x4"



CA8

General Purpose 8x8"

Truss Ceiling Adapter



CAT3

Mounts to round, square and rectangular trusses from .75" up to 3" in diameter and is compatible with all 1.5" NTP threaded pipe.

Vaulted Ceiling Adapters



CAV1

For installation on cathedral or vaulted ceilings. Adjusts up to 94° and is compatible with all 1.5" NTP threaded pipe

Unistrut Ceiling Adapters



CAU1

Bracket and hardware for mounting to single 1-5/8"x1-5/8" Unistrut



CAU4

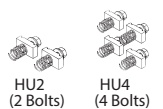
Bracket and hardware (4x4) for mounting to standard 1-5/8"x1-5/8" dual channels spaced on 2.25" centers.



CAU8

Bracket and hardware (8x8) for mounting to standard 1-5/8"x1-5/8" dual channels spaced on 6" centers.

Unistrut Bolts



HU2 (2 Bolts) HU4 (4 Bolts)

3/8" bolts and spring nuts for mounting ceiling brackets to standard 1-5/8"x1-5/8" Unistrut HU2 / HU2

Fixed Columns

Static ceiling columns for use with all ceiling adapters using standard 1.5" NTP interfaces. Connectors (sold separately) give ability to extend drop lengths by connecting two or more columns. Cable management with a completely open interior.



BLACK	SILVER	WHITE	DROP
E06	E06S	E06W	6"
E1	E1S	E1W	12"
E018	E018S	E018W	18"
E2	E2S	E2W	2'
E3	E3S	E3W	3'
E4	E4S	E4W	4'
E5	E5S	E5W	5'
E6	E6S	E6W	6'
E7	E7S	E7W	7'
E8	E8S	E8W	8'
E9	E9S	E9W	9'
E10	E10S	E10W	10'

Adjustable Columns

Adjustable extension columns designed for use with all ceiling adapters using standard 1.5" NTP interfaces. Column allows for flexibility with quick 1" incremental drop length adjustments and cable management with a completely open interior. Connectors (sold separately) give ability to extend drop lengths by connecting two or more columns.



BLACK	SILVER	WHITE	DROP
EA0611	EA0611S	EA0611W	6"-11"
EA01218	EA01218S	EA01218W	12"-18"
EA01824	EA01824S	EA01824W	18"-24"
EA23	EA23S	EA23W	2'-3'
EA24	EA24S	EA24W	2'-4'
EA35	EA35S	EA35W	3'-5'
EA46	EA46S	EA46W	4'-6'
EA57	EA57S	EA57W	5'-7'
EA68	EA68S	EA68W	6'-8'
EA79	EA79S	EA79W	7'-9'
EA810	EA810S	EA810W	8'-10'
EA911	EA911S	EA911W	9'-11'
EA1012	EA1012S	EA1012W	10'-12'

Visit crimsonav.com to see the full line of vidamounts LCD/plasma, projector and TV/monitor mounts. © 2010 Crimson AV LLC. All rights reserved.