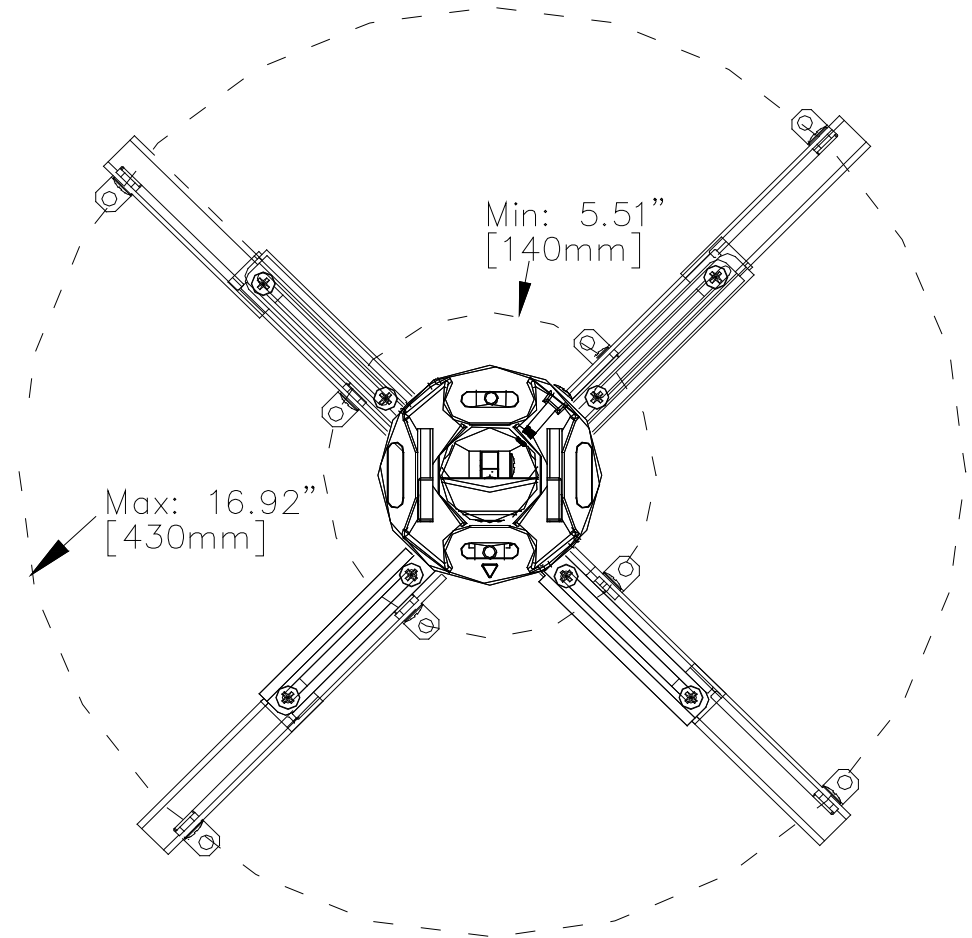
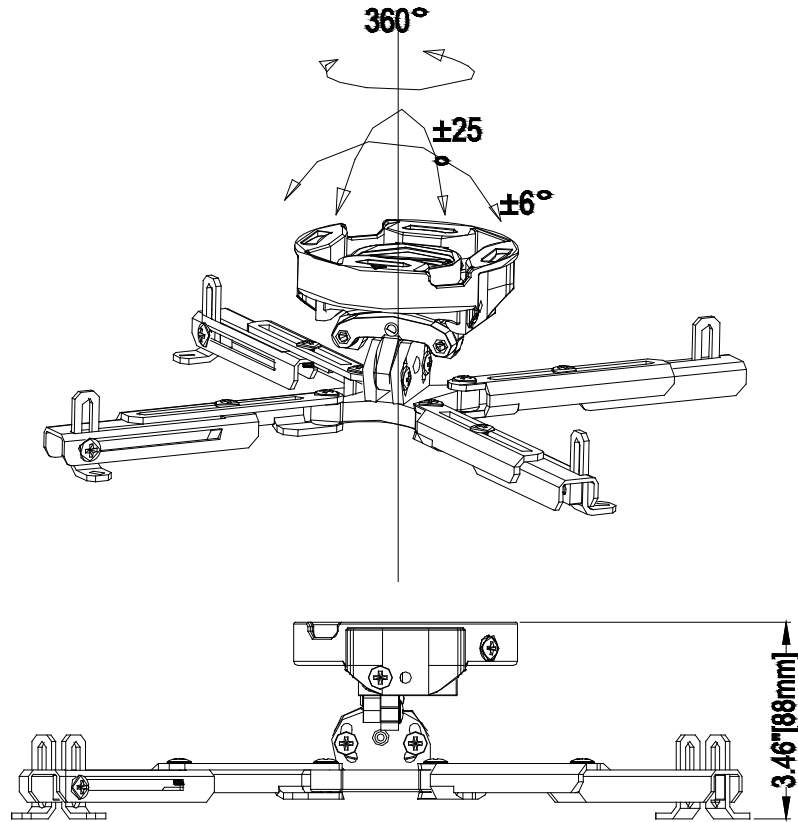


Maximum load rating: 50 lbs



THE INFORMATION CONTAINED IN THIS DRAWING IS THE SOLE PROPERTY OF CRIMSON AV LLC. ANY REPRODUCTION IN PART OR AS A WHOLE WITHOUT THE WRITTEN PERMISSION OF CRIMSON AV LLC IS PROHIBITED



**CRIMSON AV LLC.**

PRODUCT ORDER NUMBER: **JR**  
PHONE: **1-866-668-6888**

**Scale=1:1**

Crimson AV LLC.  
www.crimsonav.com

TITLE:  
**JR**

SIZE DWG.N.O.  
**B JR**