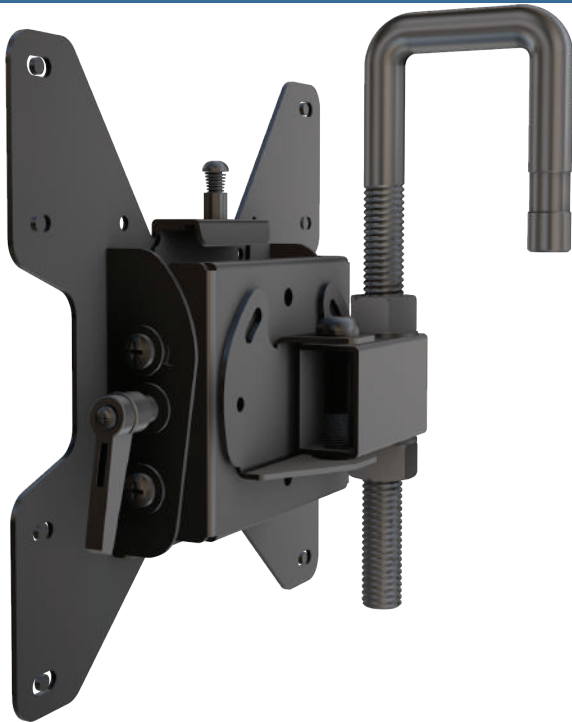




P37H

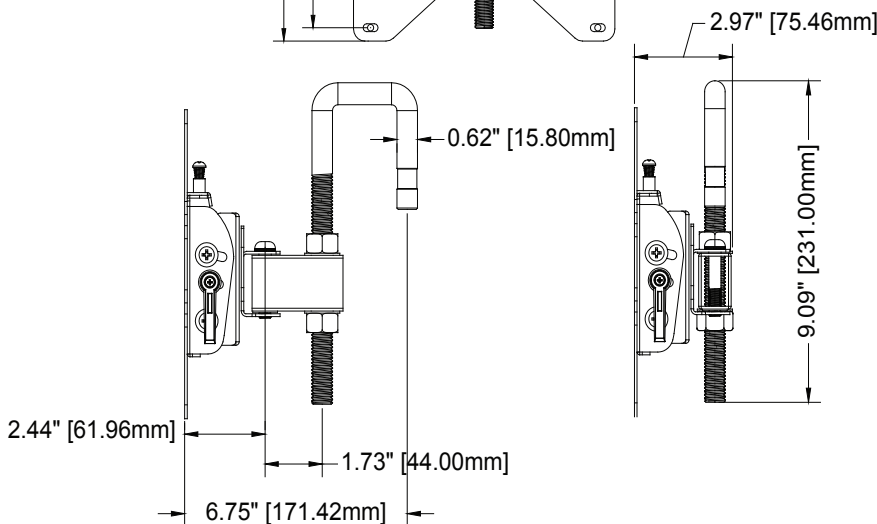
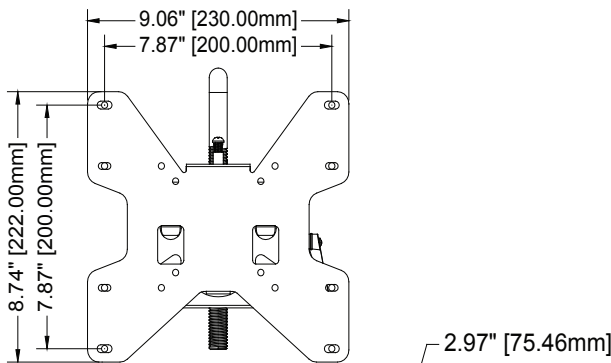


U-Hook is compatible with most existing CRT TV arm mounts



Threaded attachment for perfect placement

Model	TV Sizes	Max Mounting Pattern (WxH)	Load Rating
P37H	13"-46"+	200x200mm	80lb



■ Mounting Surface

U-Hook attachment replaces standard CRT TV wall mount with pivoting arm mount for monitors with a 200x200mm VESA pattern.

■ Installation

Makes a secure installation quick and easy, simply hang the screen and turn the pre-assembled securing screw to lock in place.

■ Tilt

Smooth tilt adjustments of 15° forward and 5° back with a locking knob for a variety of viewing angles.

■ VESA Compatible

Compatible with all monitors weighing up to 80lb and with VESA patterns up to 200x200mm.

■ Construction

Fabricated from high-grade aluminum and cold rolled steel with durable epoxy powder coat finish. Includes a complete array of high-grade fasteners, in a pre-sorted hardware pack for easy selection.

