

## WEIGHT CAPACITY

EN Maximum Weight Capacity

**50lb / 23kg**



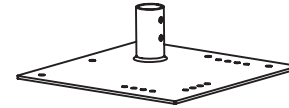
## WARNING!



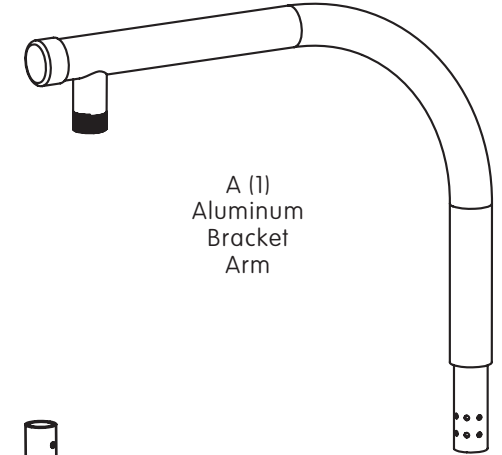
**WARNING! SEVERE PERSONAL INJURY AND PROPERTY DAMAGE CAN RESULT FROM IMPROPER INSTALLATION OR ASSEMBLY. READ THE FOLLOWING WARNINGS BEFORE BEGINNING.**

Do not use this product for any purpose not explicitly specified by Crimson AV. Improper installation may cause property damage or personal injury. If you do not understand these directions, or have doubts about the safety of the installation, contact Crimson AV Customer Service or call a qualified contractor. Crimson AV is not liable for damage or injury caused by incorrect mounting, assembly, or use.

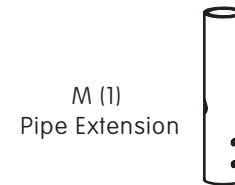
**DO NOT EXCEED THE MAXIMUM WEIGHT CAPACITY FOR THIS PRODUCT**



B (1)  
Aluminum  
Bracket  
Base



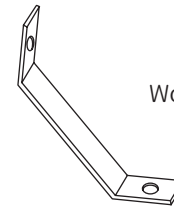
A (1)  
Aluminum  
Bracket  
Arm



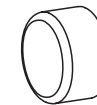
M (1)  
Pipe Extension



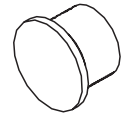
L (1)  
Pipe Insert



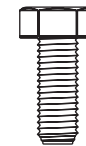
K (2)  
Wall Bracket



G (1)  
Base End Cap



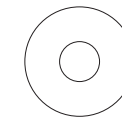
H (1)  
Rubber Arm  
Plug



C (6)  
Stainless Steel  
Bolts



D (6)  
Lock Washers

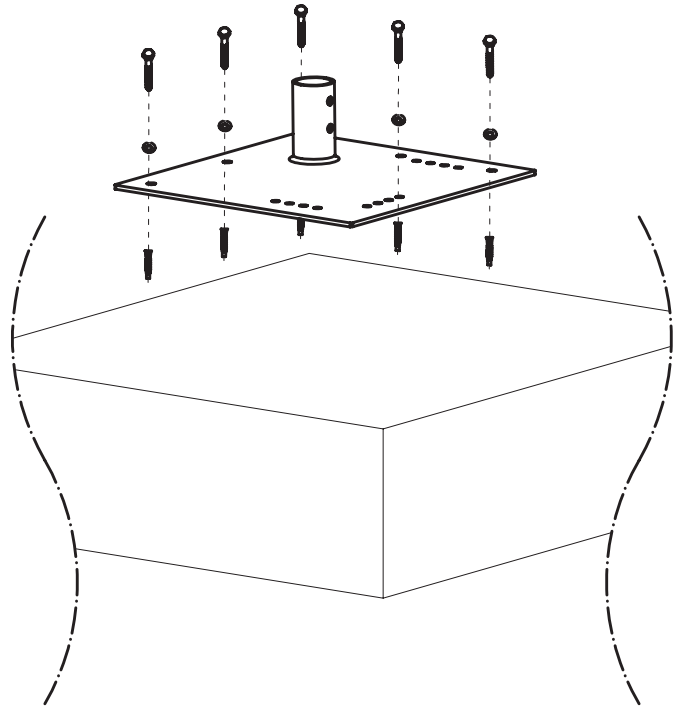


E (6)  
Stainless Steel  
Washers



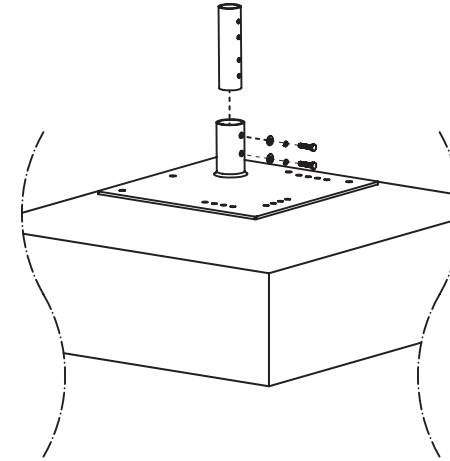
F (1)  
Rubber Base  
Cap

# INSTALLATION INSTRUCTIONS

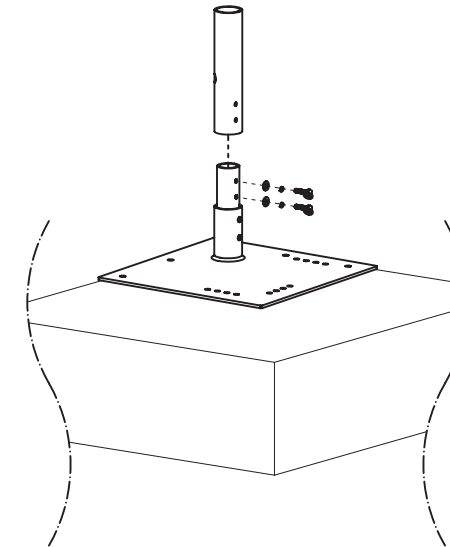


**1** Pre-drill holes and securely install the RF24 base (B) on parapet.

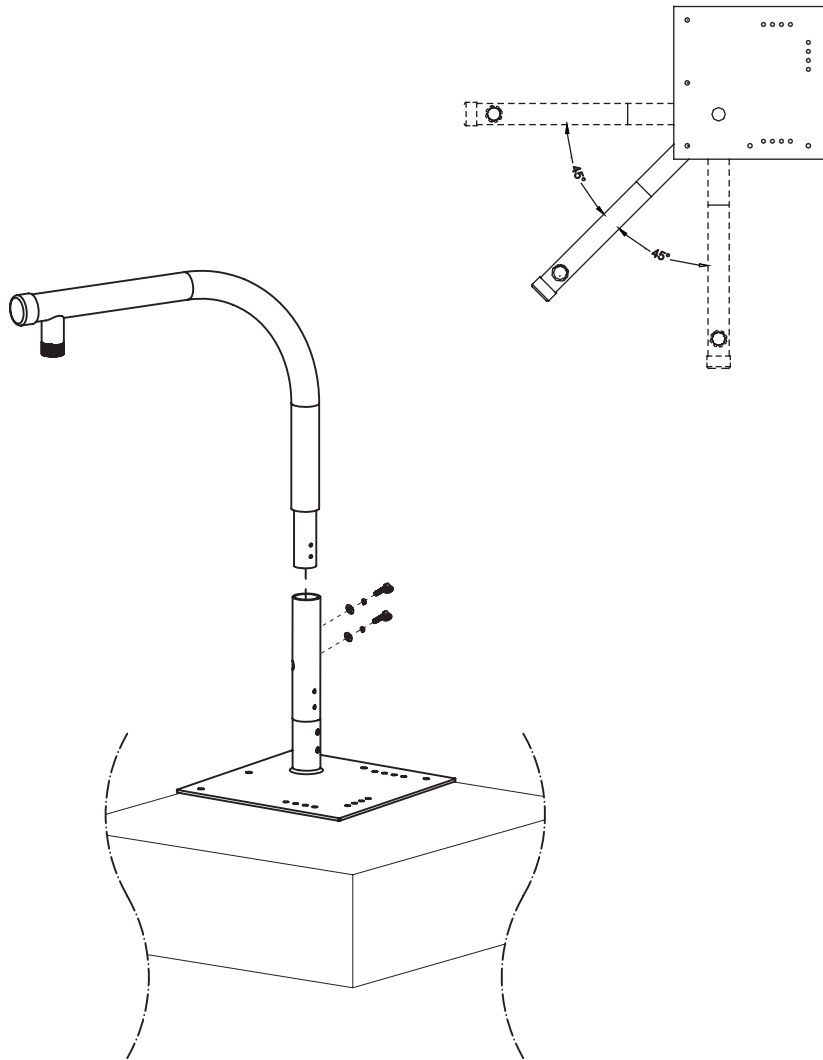
Use of expansion bolts (not included) is recommended when installing into masonry surface.



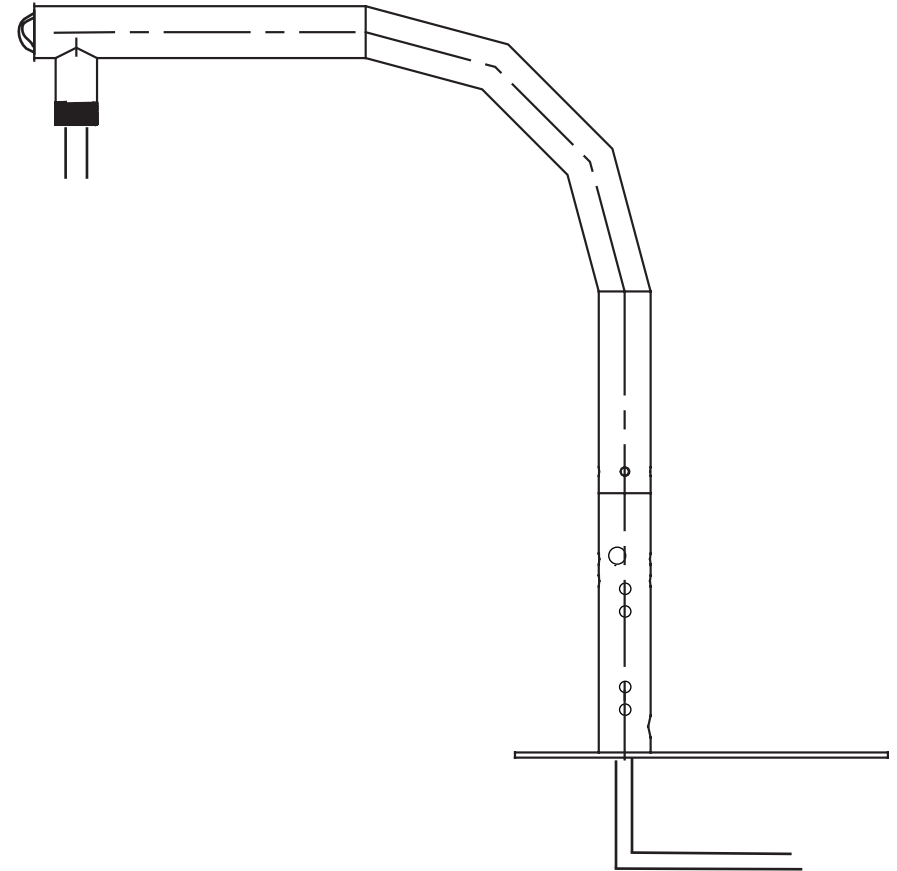
**2** Add pipe insert (L) into base, then secure in to position using the included stainless steel bolts and washers.



**3** Insert pipe extension (M) over insert, then secure in to position using the included stainless steel bolts and washers.

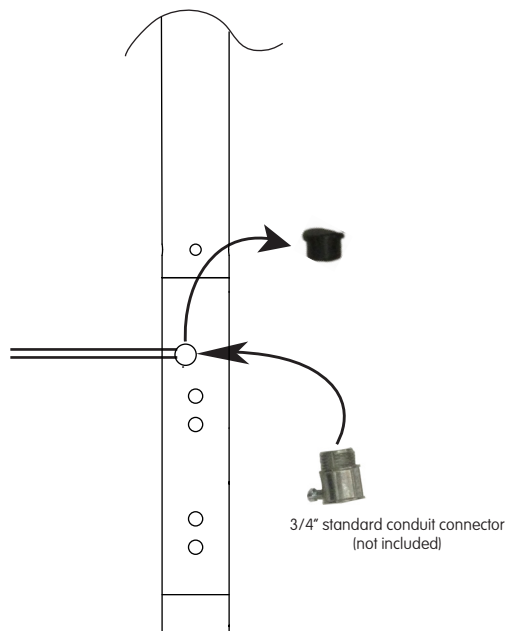


- 4** Insert bracket arm (A) into base, then secure in to desired position using the included stainless steel bolts and washers.



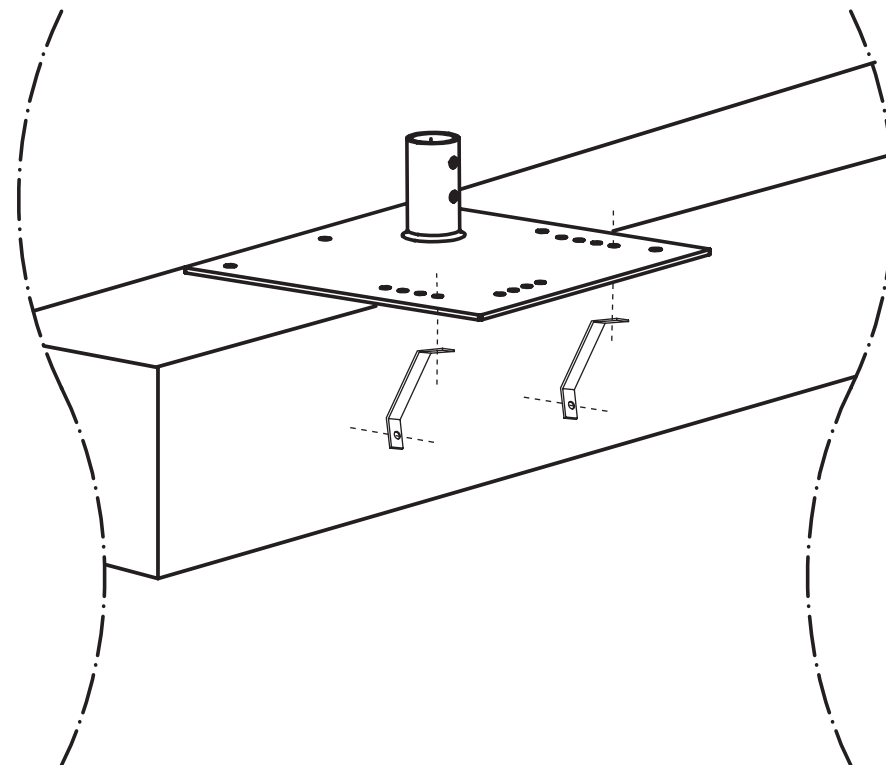
- 4A** (Option A): Pre-wire for the camera installation through the opening at the bottom of the RF24 base. Then install the camera according to the manufacturer's directions.

**Note:** Remove end cap and rubber plug to help guide wires.



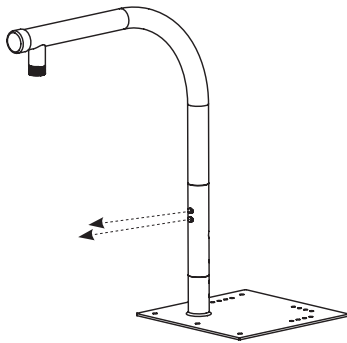
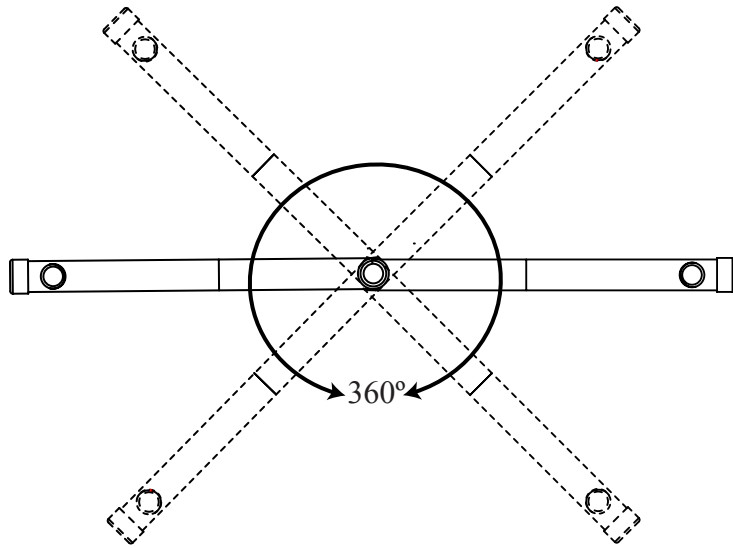
**4B** (Option B): Removing the rubber base cap will reveal a 3/4" threaded opening to receive a standard 3/4" conduit connector. This is handy for installations where the conduit is not run through the wall. Then install the camera according to the manufacturer's directions.

**Note:** RF24 comes with a standard 1.5" thread interface. For cameras that have a smaller or larger interface, an additional thread reducer would be required.



**5** When installing base on a narrow parapet use wall brackets (K) for added security. (Hardware not included)

Use of expansion bolts (not included) is recommended when installing into masonry surface.



**Note:** When the securing screws are removed, arm can be rotated 360° for maintenance and camera installation.

## WARRANTY

Congratulations on the purchase of this Crimson product! The product you now have in your possession is made of durable materials and is based on a design, every detail of which has been meticulously thought-out. That is why Crimson AV LLC products are covered by a 10-year warranty against defects in materials or manufacturing.

Crimson AV LLC disclaims any liability for modifications, improper installations, or installations over the specified weight range. To the maximum extent permitted by law, Crimson AV LLC disclaims any other warranties, expressed or implied, including warranties of fitness for a particular purpose and warranties of merchantability. Crimson AV LLC will not be liable for any damages arising out of the use of, or inability to use, Crimson AV LLC products. Crimson AV LLC bears no responsibility for incidental or consequential damages. This includes, but is not limited to, any labor charges for the repair of Crimson AV LLC products performed by anyone other than Crimson AV LLC.

Specifications are subject to change without prior notice.

## WARRANTY CONTINUED

EN

NOTICE TO CUSTOMERS OUTSIDE THE UNITED STATES: CRIMSON PRODUCT WARRANTY APPLIES ONLY TO PRODUCTS PURCHASED IN THE UNITED STATES. FOR PURCHASES OUTSIDE OF THE UNITED STATES, PLEASE CONTACT YOUR COUNTRIES DISTRIBUTOR FOR COUNTRY SPECIFIC WARRANTY INFORMATION.

**CRIMSON**<sup>TM</sup>  
AV MOUNTING SOLUTIONS

© 2010 Crimson AV LLC. All rights reserved.  
Crimson is a Crimson AV LLC brand. Crimson and Crimson AV Mounting Solutions logos are trademarks of Crimson AV LLC.

Crimson AV LLC  
1854 Elmdale Ave  
Glenview, IL 60026