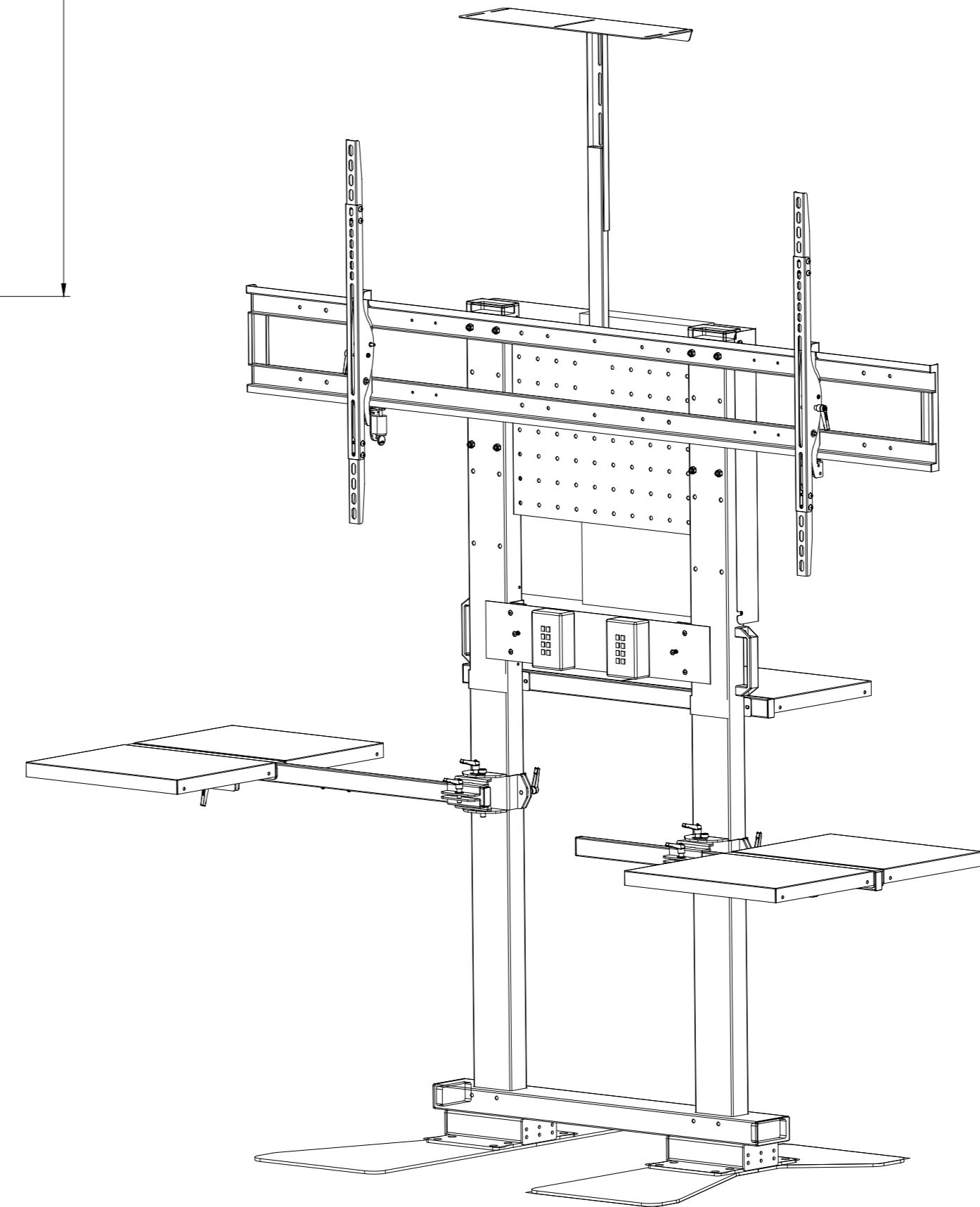
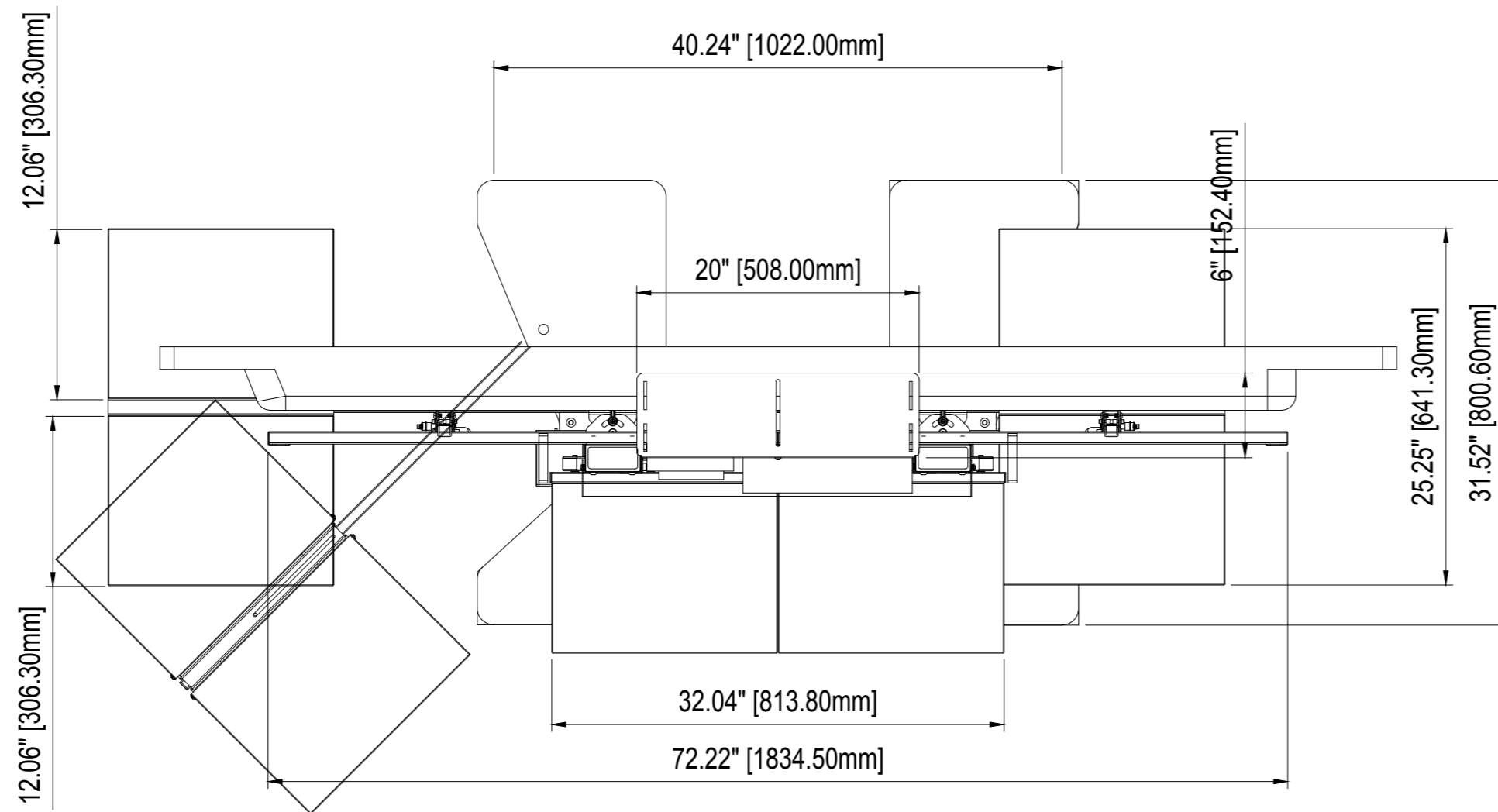
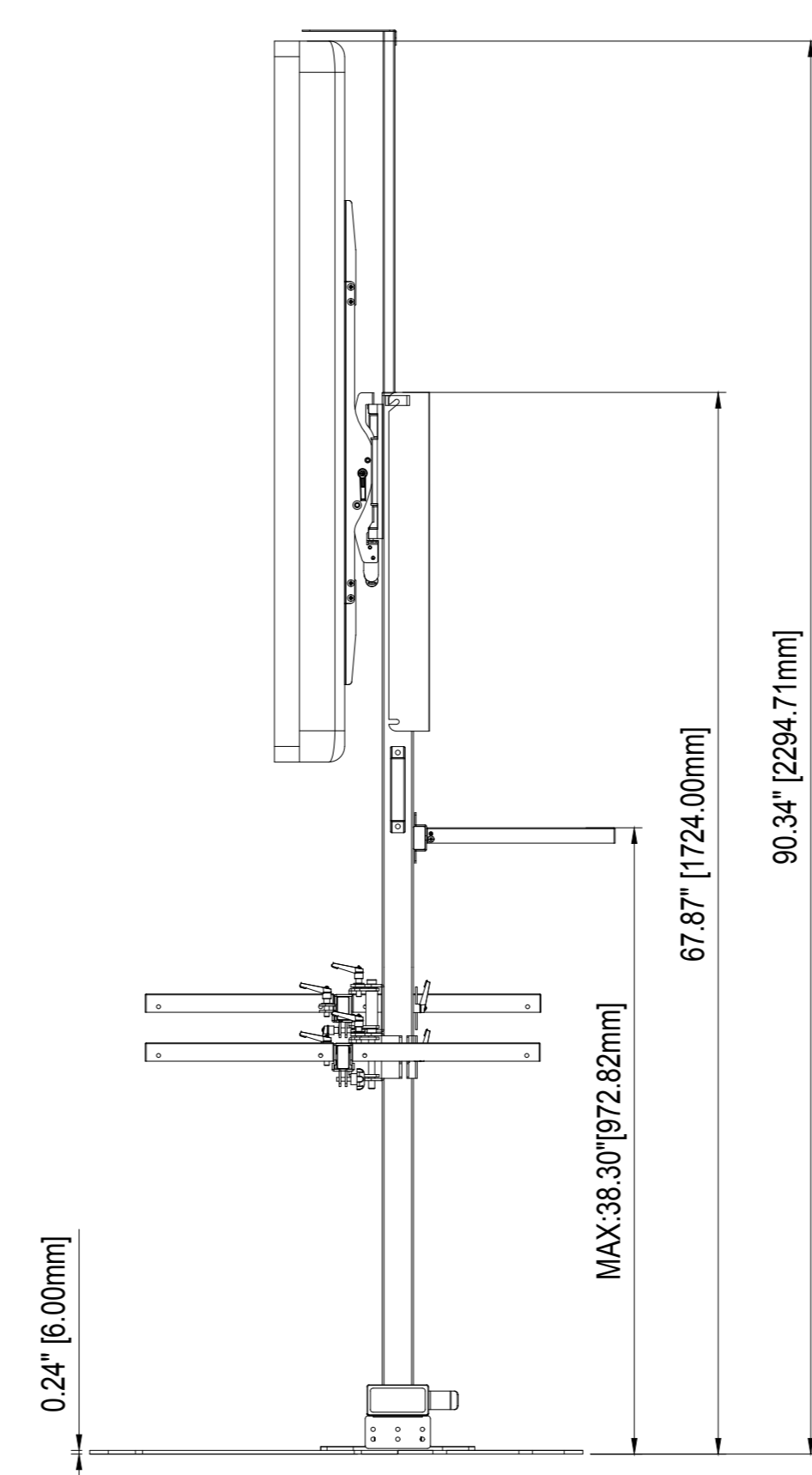
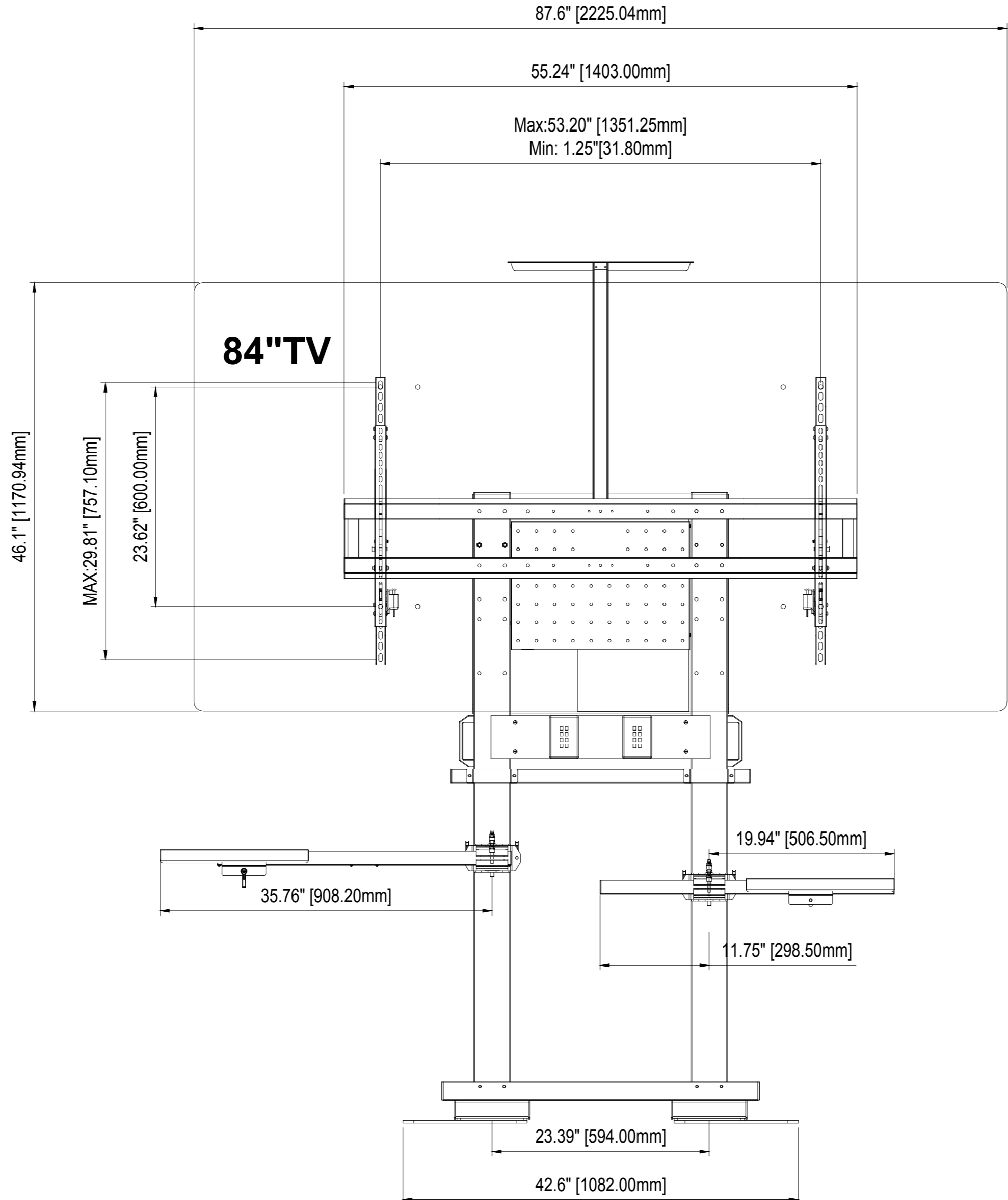


Maximum load rating: 300 lbs



THE INFORMATION CONTAINED IN THIS DRAWING IS THE SOLE PROPERTY OF CRIMSON AV LLC. ANY REPRODUCTION IN PART OR AS A WHOLE WITHOUT THE WRITTEN PERMISSION OF CRIMSON AV LLC IS PROHIBITED



**CRIMSON AV LLC.**  
 PRODUCT ORDER NUMBER: **RSS100**  
 PHONE: **1-866-668-6888**

**Scale=1:1**

Crimson AV LLC. www.crimsonav.com	
TITLE:	<b>RSS100</b>
SIZE DWG.NO.	<b>RSS100</b>