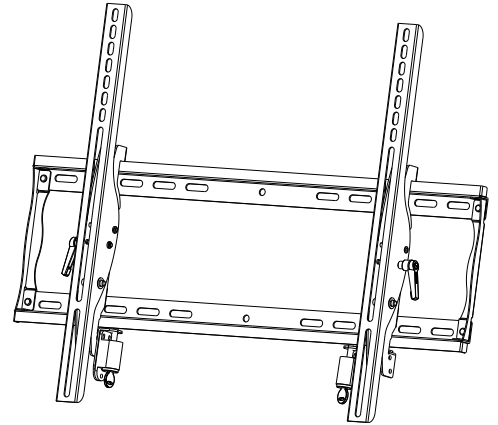
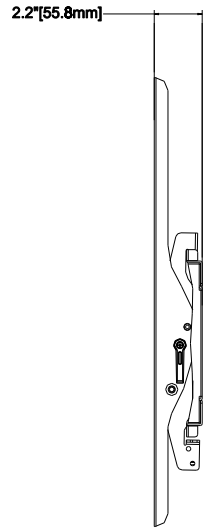
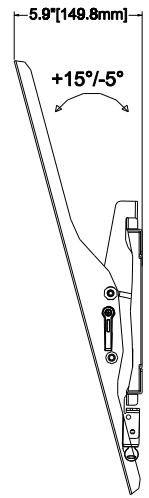
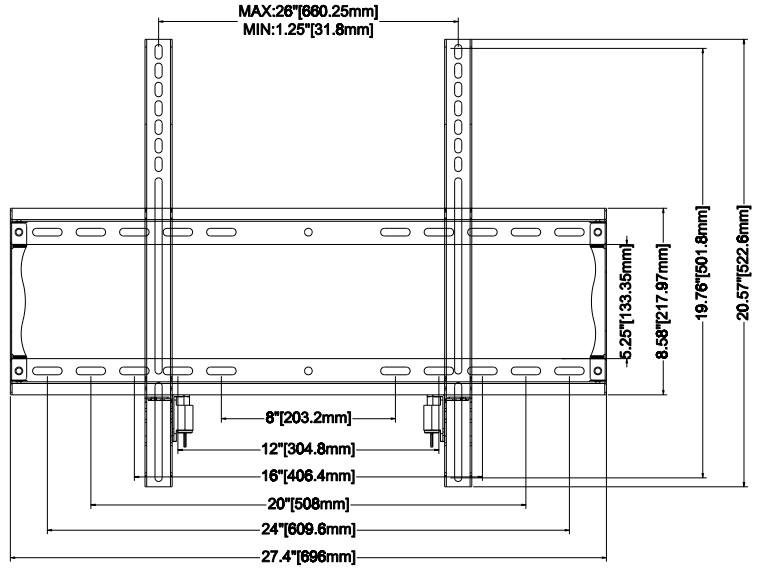


Maximum load rating: 200 lbs



THE INFORMATION CONTAINED IN THIS DRAWING IS THE SOLE PROPERTY OF CRIMSON AV LLC. ANY REPRODUCTION IN PART OR AS A WHOLE WITHOUT THE WRITTEN PERMISSION OF CRIMSON AV LLC IS PROHIBITED

**CRIMSON AV LLC.**  
PRODUCT ORDER NUMBER: T55LL  
PHONE: 1-866-668-6888

Crimson AV LLC. www.crimsonav.com	
TITLE: T55LL	
SIZE B	DWG. NO. T55LL

Scale=1:1