

DS-C555-3X3



Display size  
**46"-55"**



Max load  
**900lb (409kg)**  
**100lb per display**

**SMARTMOUNT.**

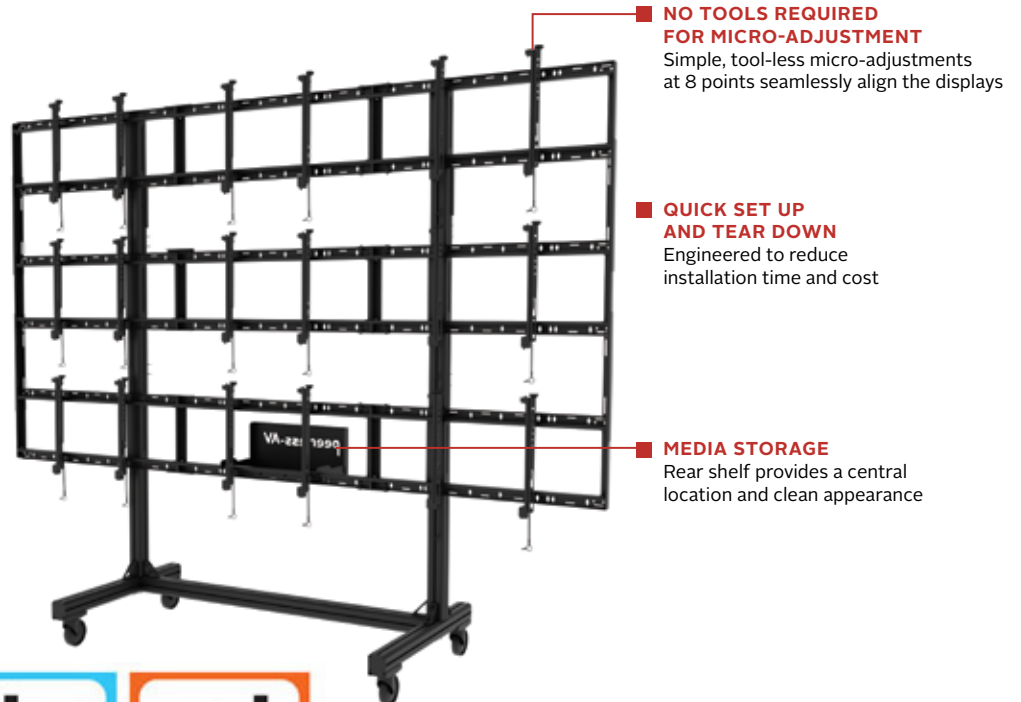
# Portable Video Wall Cart 2x2, 3x2 or 3x3 Configuration FOR 46" TO 55" DISPLAYS

Peerless-AV takes video wall carts to a new level of innovation. With this new modular design, a 2x2, 3x2, or a 3x3 video wall cart configuration can be built with just a single SKU. This Modular Video Wall Cart offers an 8-point micro-adjustment to create a seamless alignment without the need of tools. With a five-inch lockable caster, the cart becomes secure for safe and easy movement over various flooring surfaces. Designed for a quick set-up and tear down, the cart features a quick-connect latch for adaptors, allowing automatic engagement with mounting rails. Media storage and cable management create a sleek appearance for any application setting. With an overall weight and shipping cost reduction, this Portable Video Wall Cart makes this the ultimate video wall cart solution.

## Additional Features

- ✓ Modular design can be utilized for a 2x2, 3x2 or 3x3 configuration with a single SKU
- ✓ Tool-less micro-adjustment at 8 points seamlessly align the displays
- ✓ Lockable 5" casters enable safe and easy maneuverability over various flooring surfaces
- ✓ Cable management through rear adjustable cable centralizing brackets
- ✓ Designed for quick set-up and tear down
- ✓ Adaptors feature a quick connect latch for automatic engagement with the mounting rails and ease of set-up
- ✓ Rear media storage shelf and cover stores components while maintaining a clean appearance
- ✓ Aluminum frame reduces the overall weight and shipping costs
- ✓ VESA® 200 x 200 up to 600 x 400mm compatible

*Tool-less micro-adjustment at 8 points helps seamlessly align the displays, creating the ultimate video wall cart solution.*



# Touchboards

205 Westwood Ave, Long Branch, NJ 07740  
Phone: 866-94 BOARDS (26273) / (732)-222-1511  
Fax: (732)-222-7088 | E-mail: sales@touchboards.com



DS-C555-3X3

SmartMount® Portable Video Wall Cart 2x2, 3x2 and 3x3 Configuration for 46" to 55" Displays

Product Specifications

	DIMENSIONS (W x H x D)	PRODUCT WEIGHT	LOAD CAPACITY	FINISH	AVAILABLE COLORS
DS-C555-3X3	121.07" x 94.35" x 36.10" (3075 x 2396 x 917mm)	274lb (124.5kg)	900lb (409kg) 100lb per display	Textured	Black

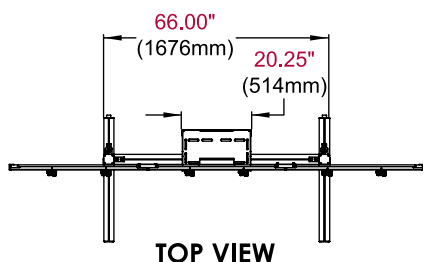
Package Specifications

	PACKAGE SIZE (W x H x D)	PACKAGE SHIP WEIGHT	PACKAGE UPC CODE	PACKAGE CONTENTS	UNITS IN PACKAGE
DS-C555-3X3	37.50" x 12.50" x 84.00" (953 x 318 x 2134mm)	307lb (139.5kg)	735029301493	Stand, casters, display adaptors and hardware	1

Accessories

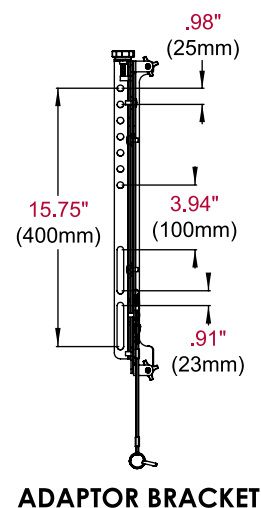
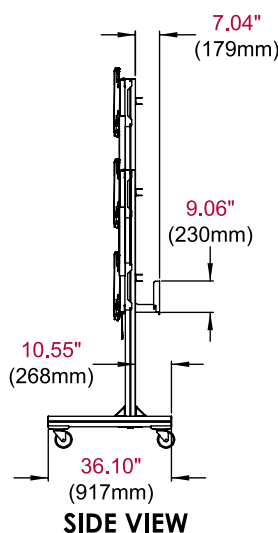
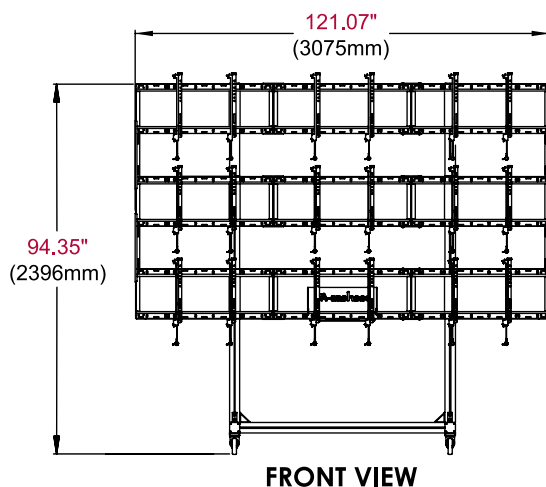
- ACC-V800X: Adaptor accessory for 600 x 400 and 800 x 400mm mounting patterns
- ACC310VWC4: Video Wall Cart Accessory Feet - 4pk

All dimensions = inch (mm)



**COMPATIBILITY FORMULA**

Display height ≤ 31"  
Two display widths + mount pattern width ≤ 120"



Architect Specifications

The Smartmount® Portable Video Wall Cart 2x2, 3x2 and 3x3 Configuration shall be a Peerless-AV model DS-C555-3X3 and shall be located where indicated on the plans. Assembly and installation shall be done according to instructions provided by the manufacturer.

Visit [peerless-av.com](http://peerless-av.com) to see the complete line of AV solutions from Peerless-AV, including outdoor displays, wireless, kiosks, digital audio, display mounts, projector mounts, carts/stands, and a full assortment of accessories.

**Peerless-AV**  
2300 White Oak Circle  
Aurora, IL 60502 USA  
  
**(800) 865-2112**  
**(630) 375-5100**  
**Fax: (800) 359-6500**

**Peerless-AV Europe**  
Unit 3 Watford Interchange  
Colonial Way, Watford  
Herts, WD24 4WP  
United Kingdom  
**+44 (0) 1923 200100**  
**Fax: +44 (0) 1923 200101**

**Peerless-AV de México**  
Ave de las Industrias 413  
Parque Industrial Escobedo  
Escobedo, N.L.,  
Mexico 66050  
**+52 (81) 8384-8300**  
**Fax: +52 (81) 8384-8360**

