

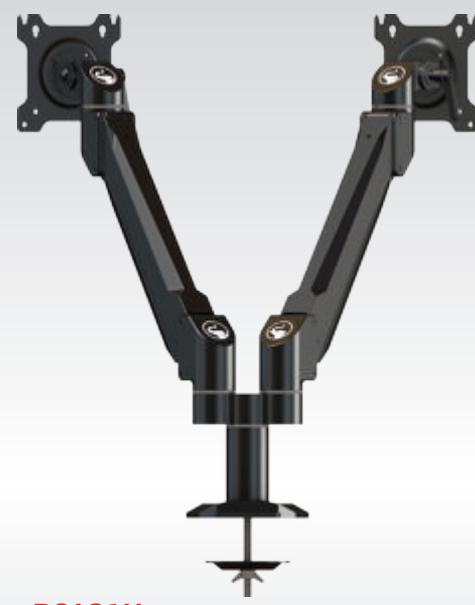
# Four arm configurations and four base options available



DS A11F



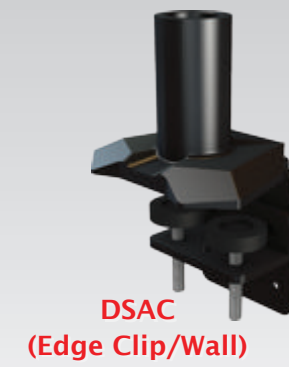
DS A12P



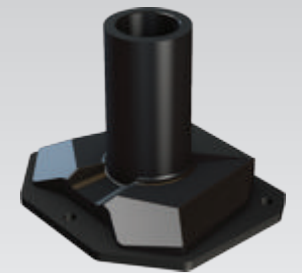
DS A21H



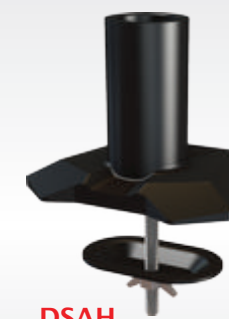
DS A22C



DSAC  
(Edge Clip/Wall)



DSAF  
(Flush Mount)



DSAH  
(Through-Hole)



DSAP  
(Pole/Racking)

## DS A Series full motion arms

The DS A Series arms are a sleek and stylish solution that deliver perfect landscape or portrait-oriented monitor positioning while freeing up valuable work-space. Choose from a multitude of configurations to fit any need.

There are two key elements that make the DS A's unique. First, the spring is heavy duty and adjustable. This allows these arms to handle a load from 5lb through 30lb, the widest range on the market. Second, DS A's allow you to lock down both, the tilt, as well as the landscape to portrait rotation of each monitor.

Ability to handle a heavier load and lock tilt and rotation, makes the DS A's a great solution for high use areas, such as a busy restaurant kitchen, where a lesser solution may sag or loosen over time. This is also key for applications where additional components must be mounted along side the monitor, which increase the overall load and possibility of sag.

- Heavy duty spring adjusts from 5lb through 30lb loads
- Locking tilt and rotation suitable for high traffic applications
- Versatile, mounts to virtually any surface
- Base options: flat surface, edge clip/wall, through-hole or pole/racking

## Accessories / A La Carte

### Customize your DS A

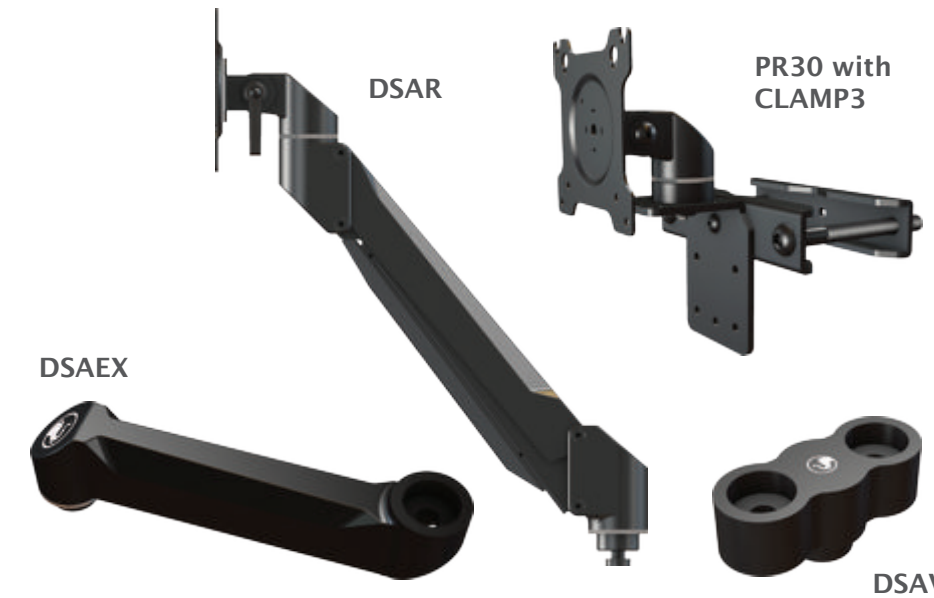
Maximize your DS A's usability by adding accessories that allow DS A's to be affixed to round or rectangular structures, expand reach, facilitate larger monitors, and much more.



AD1200  
VESA 200x100mm  
extender



AD2200  
VESA 200x200mm  
extender



Model	Display Size	Min Mounting Pattern	Max Mounting Pattern	Max Weight per Display	Base Configuration	Tilt
<b>Single Link:</b>						
DS A11C	10" - 32"	75x75mm	100x100mm	30lb	Edge Clip / Wall	+30°/-90°
DS A11F	10" - 32"	75x75mm	100x100mm	30lb	Flush Mount	+30°/-90°
DS A11H	10" - 32"	75x75mm	100x100mm	30lb	Through-Hole	+30°/-90°
DS A11P	10" - 32"	75x75mm	100x100mm	30lb	Pole / Racking	+30°/-90°
<b>Single Link Dual Arm:</b>						
DS A12C	10" - 32"	75x75mm	100x100mm	30lb	Edge Clip / Wall	+30°/-90°
DS A12F	10" - 32"	75x75mm	100x100mm	30lb	Flush Mount	+30°/-90°
DS A12H	10" - 32"	75x75mm	100x100mm	30lb	Through-Hole	+30°/-90°
DS A12P	10" - 32"	75x75mm	100x100mm	30lb	Pole / Racking	+30°/-90°
<b>Dual Link:</b>						
DS A21C	10" - 32"	75x75mm	100x100mm	30lb	Edge Clip / Wall	+30°/-90°
DS A21F	10" - 32"	75x75mm	100x100mm	30lb	Flush Mount	+30°/-90°
DS A21H	10" - 32"	75x75mm	100x100mm	30lb	Through-Hole	+30°/-90°
DS A21P	10" - 32"	75x75mm	100x100mm	30lb	Pole / Racking	+30°/-90°
<b>Dual Link Dual Arm:</b>						
DS A22C	10" - 32"	75x75mm	100x100mm	30lb	Edge Clip / Wall	+30°/-90°
DS A22F	10" - 32"	75x75mm	100x100mm	30lb	Flush Mount	+30°/-90°
DS A22H	10" - 32"	75x75mm	100x100mm	30lb	Through-Hole	+30°/-90°
DS A22P	10" - 32"	75x75mm	100x100mm	30lb	Pipe Adapter	+30°/-90°

## VESA Free Standing Monitor Stands

With 75x75mm & 100x100mm VESA screen adapter for single and dual monitors.



## Universal Free Standing Large Display Stands

Heavy duty stand with Universal screen adapter. Ideal for large displays which are sold without a stand or as a replacement for the original.

Universal Single Monitor Stands			
Model	Max Mounting Pattern	Max display weight	Screen Size
DS46	450x402mm	120lb	26" - 46"+
DS55	723x501mm	150lb	32" - 55"
DS65	665x601mm	150lb	32" - 65"+
DS84	665x601mm	150lb	32" - 84"+



205 Westwood Ave, Long Branch, NJ 07740  
Phone: 866-94 BOARDS (26273) / (732)-222-1511  
Fax: (732)-222-7088 | E-mail: sales@touchboards.com