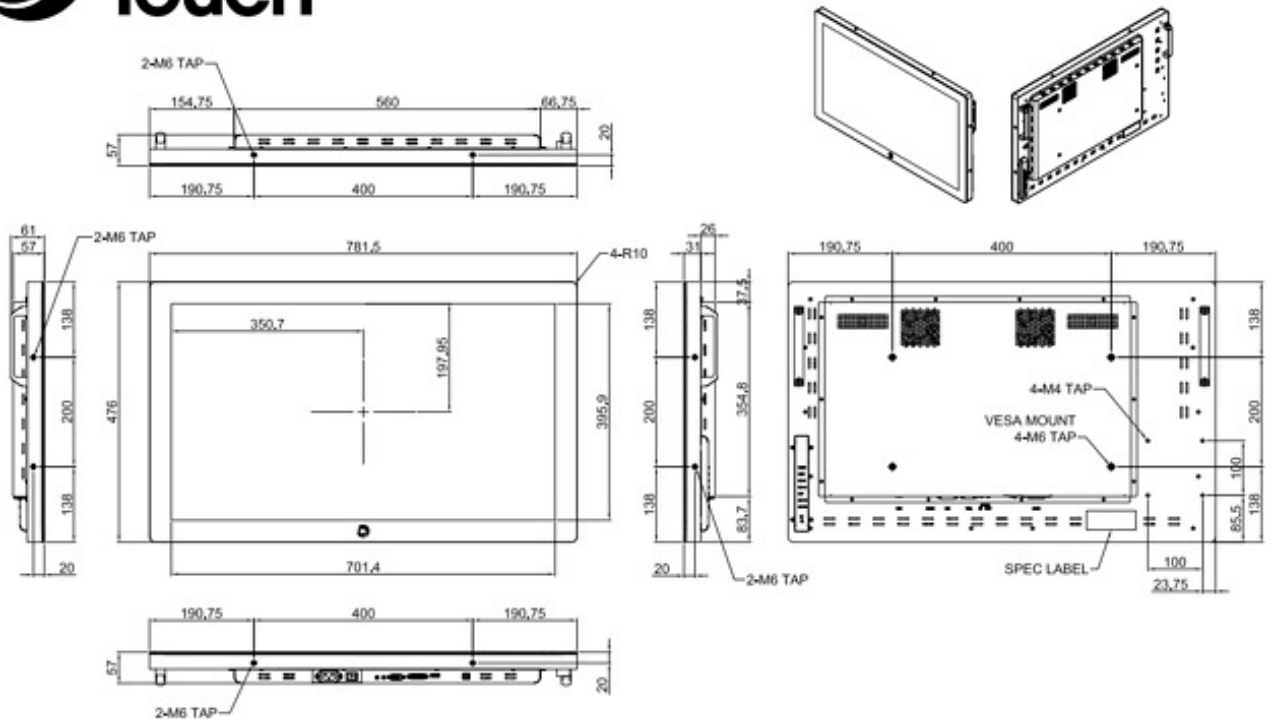




REVISION NO.	DESCRIPTION	DATE
0	Issued First	2019.11.22



DTS-3260N