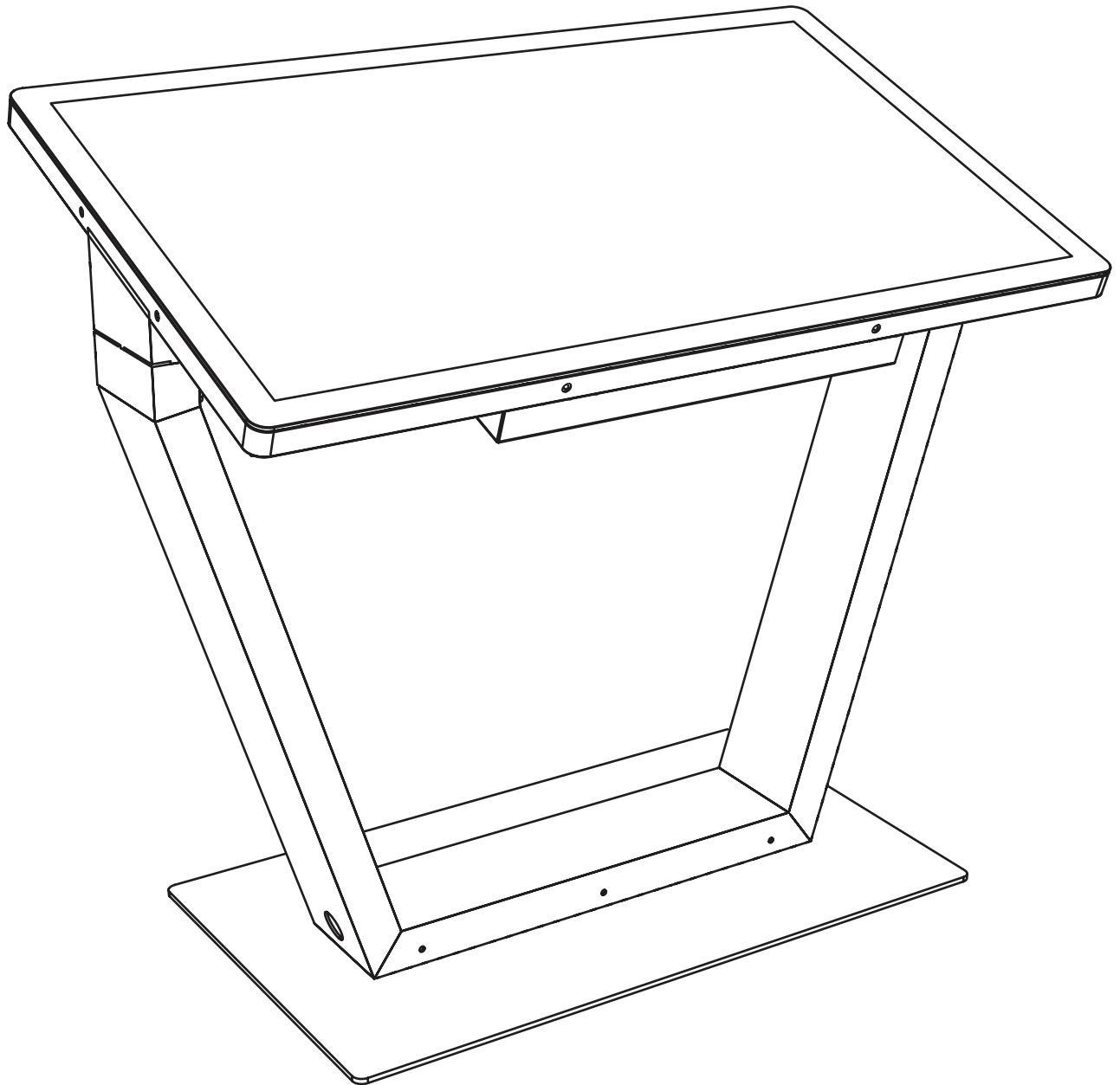


# Touch Screen Kiosk

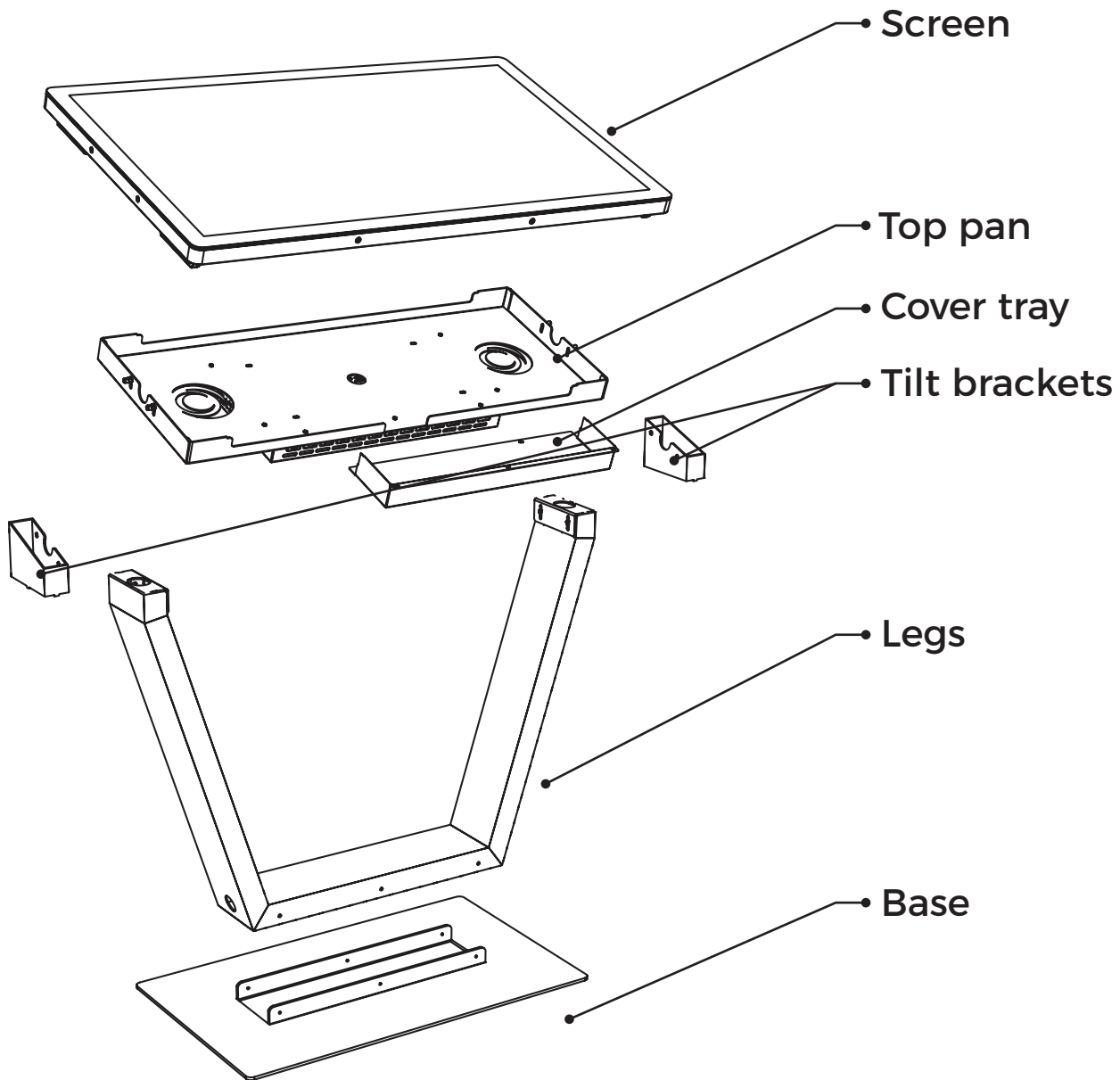


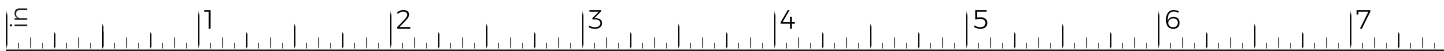
Assembly instructions

TILTED TABLE KIT

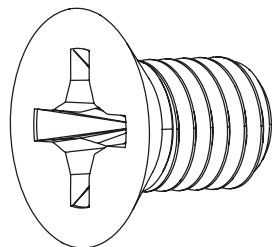


# Parts:

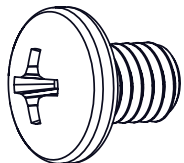




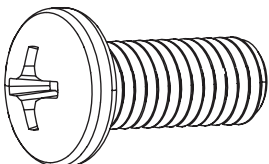
# Hardware Included:



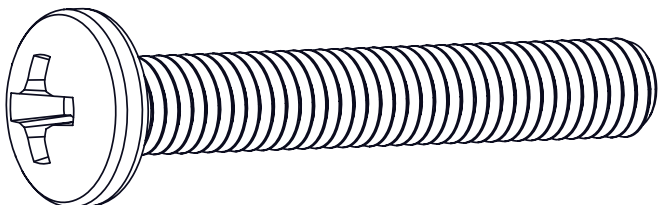
**1/4-20x1" Countersunk Machine Screw x6**



**10-32 x 1/4" Panhead Machine Screw x2**



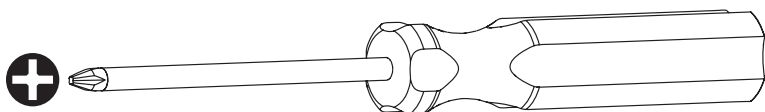
**1/4-20x1" Panhead Machine Screw x8**



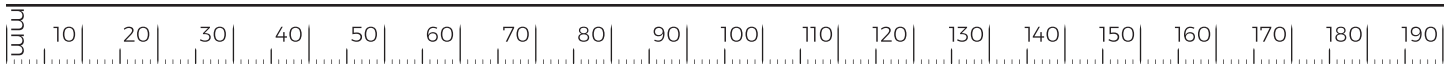
**M6x40 Panhead Machine Screw x4**

---

# Tools needed:

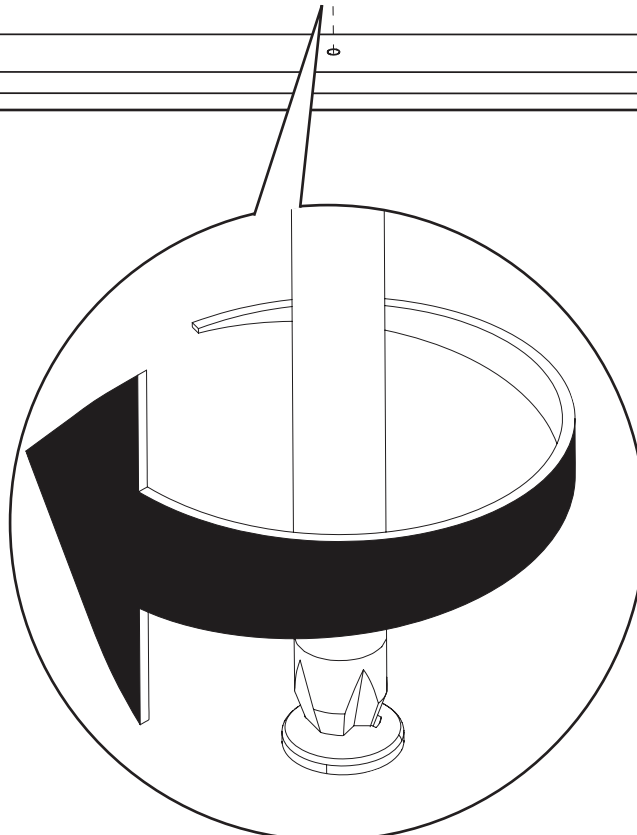
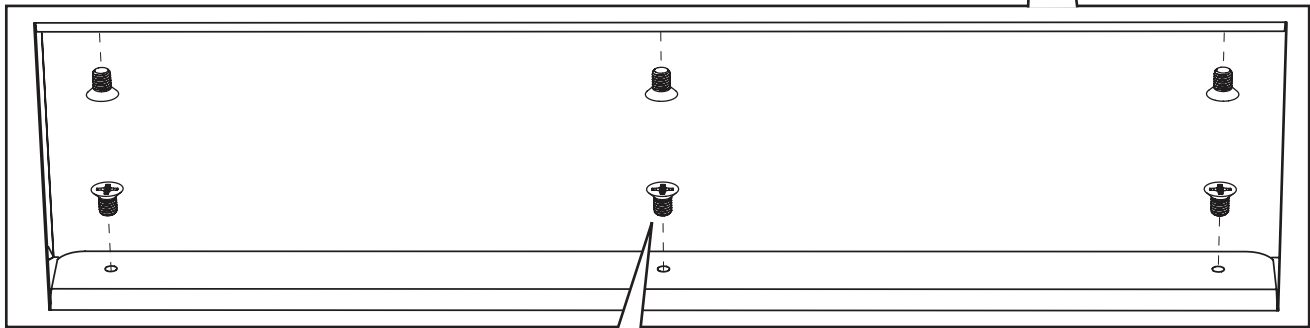
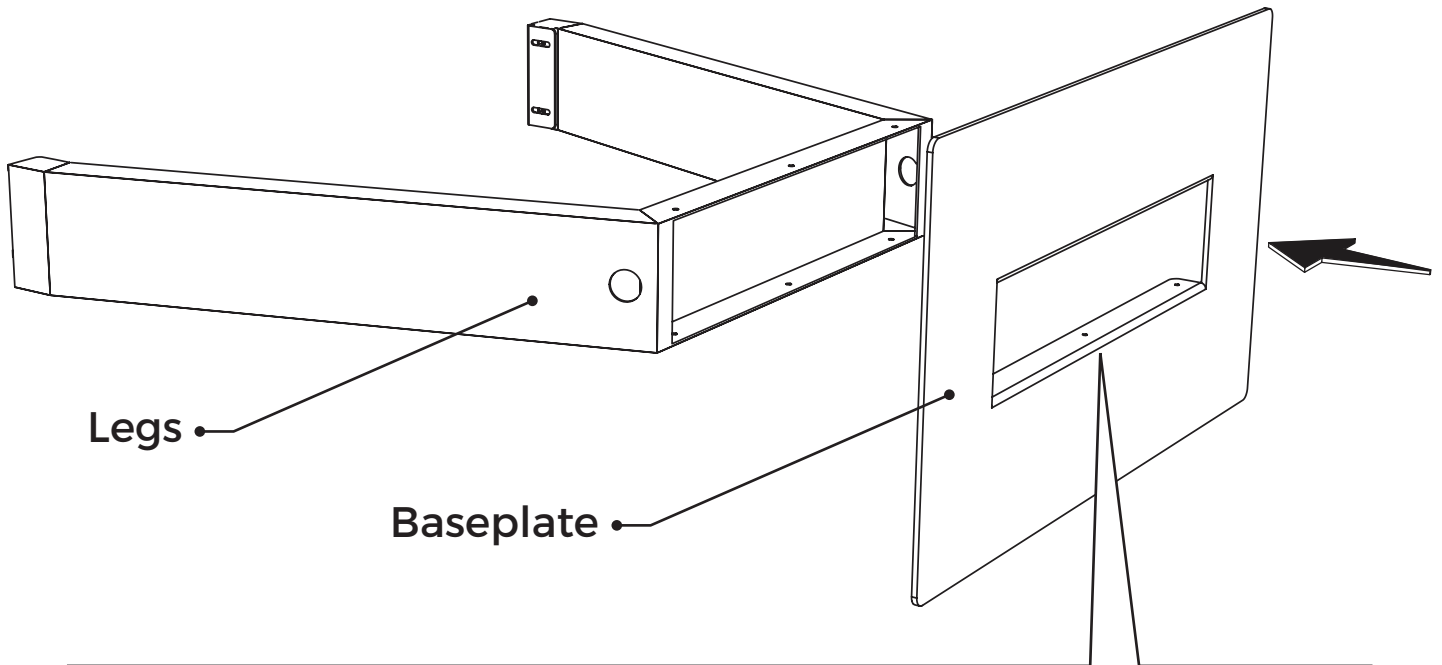


**#2 Philips Head Screwdriver**



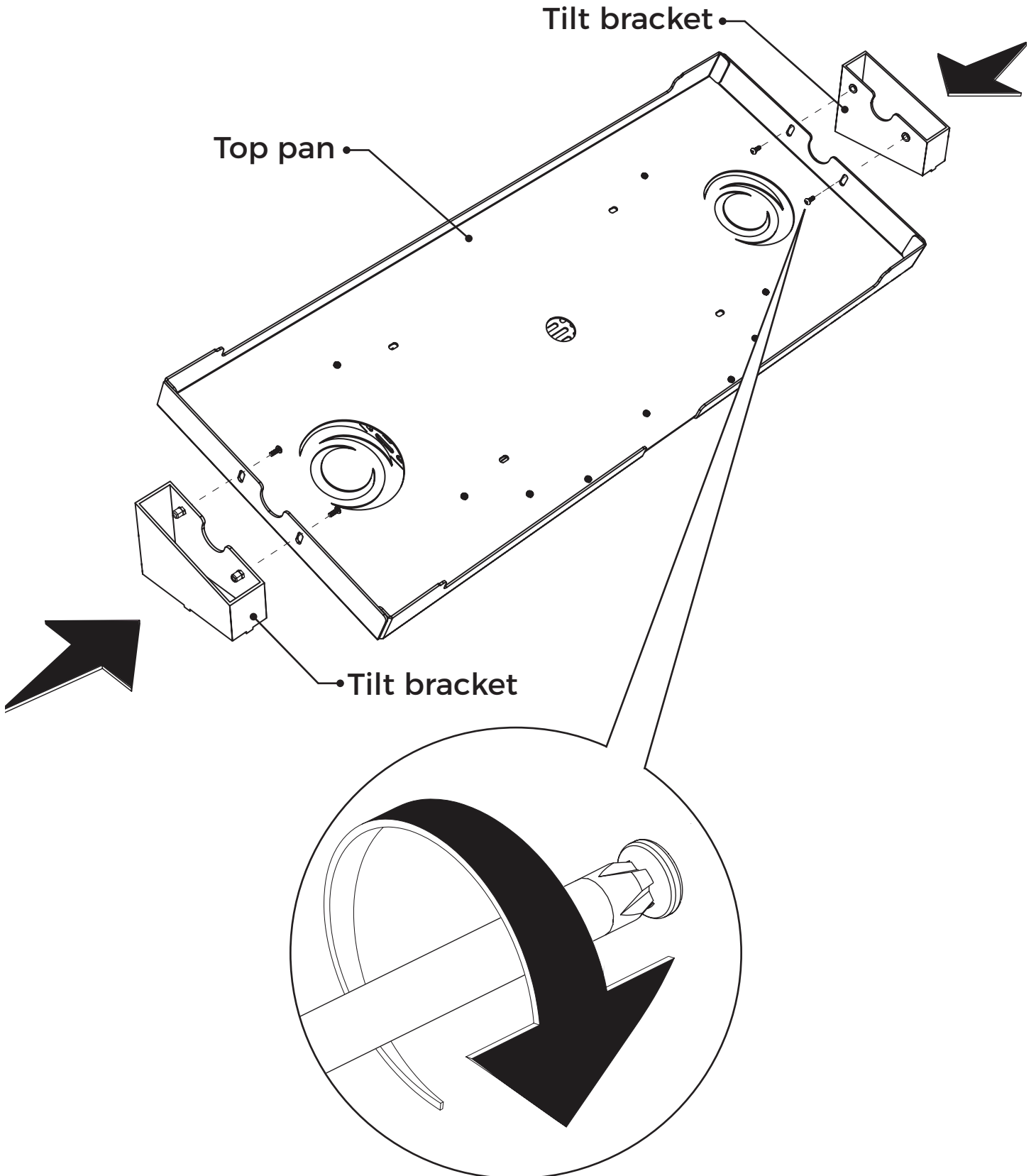
# Step 1

Attach **Base** to the **Legs** using the **6 ¼-20 x6** undercut screws provided.



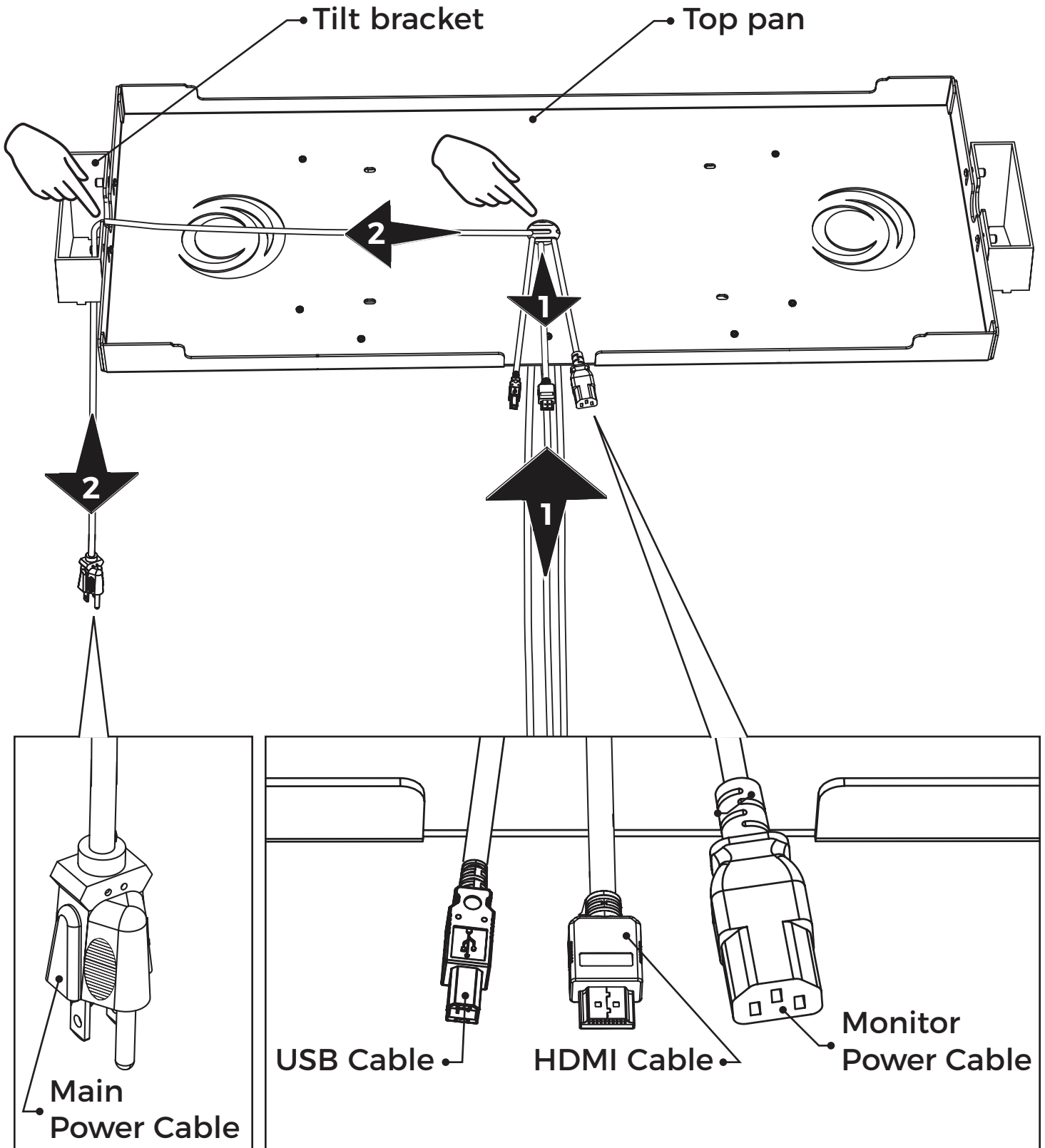
## Step 2

Attach the **Tilt brackets** to the **Top pan** by using **4** of the **1/4-20** panhead screws provided.



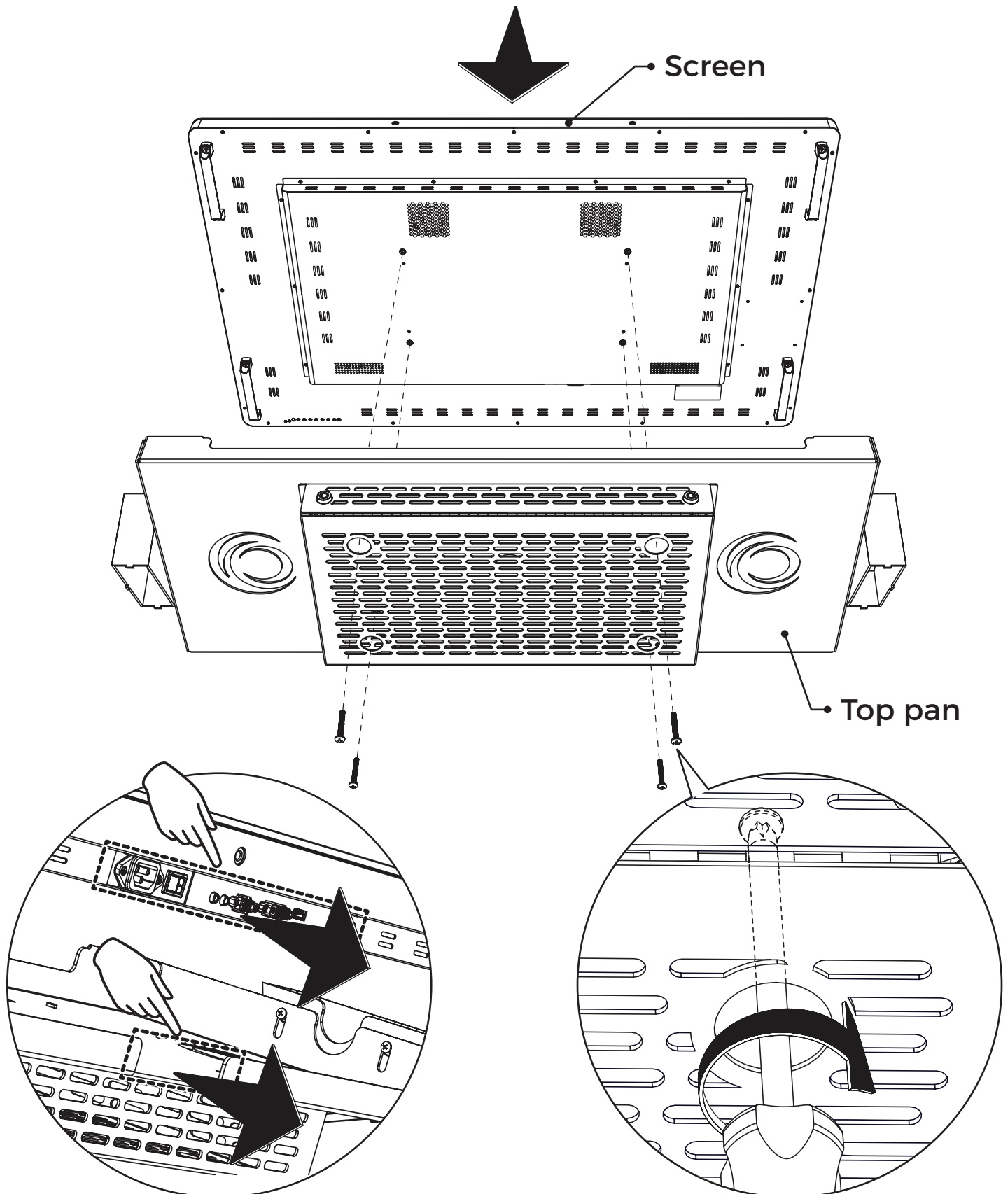
# Step 3

Run HDMI, Monitor Power, and USB cables out from the PC tray through the center hole and then out through the cutout on the side of the tray as illustrated by the arrows #1. The main power cable will need to be run through the **Tilt bracket** and into the PC tray as shown by the arrows #2.



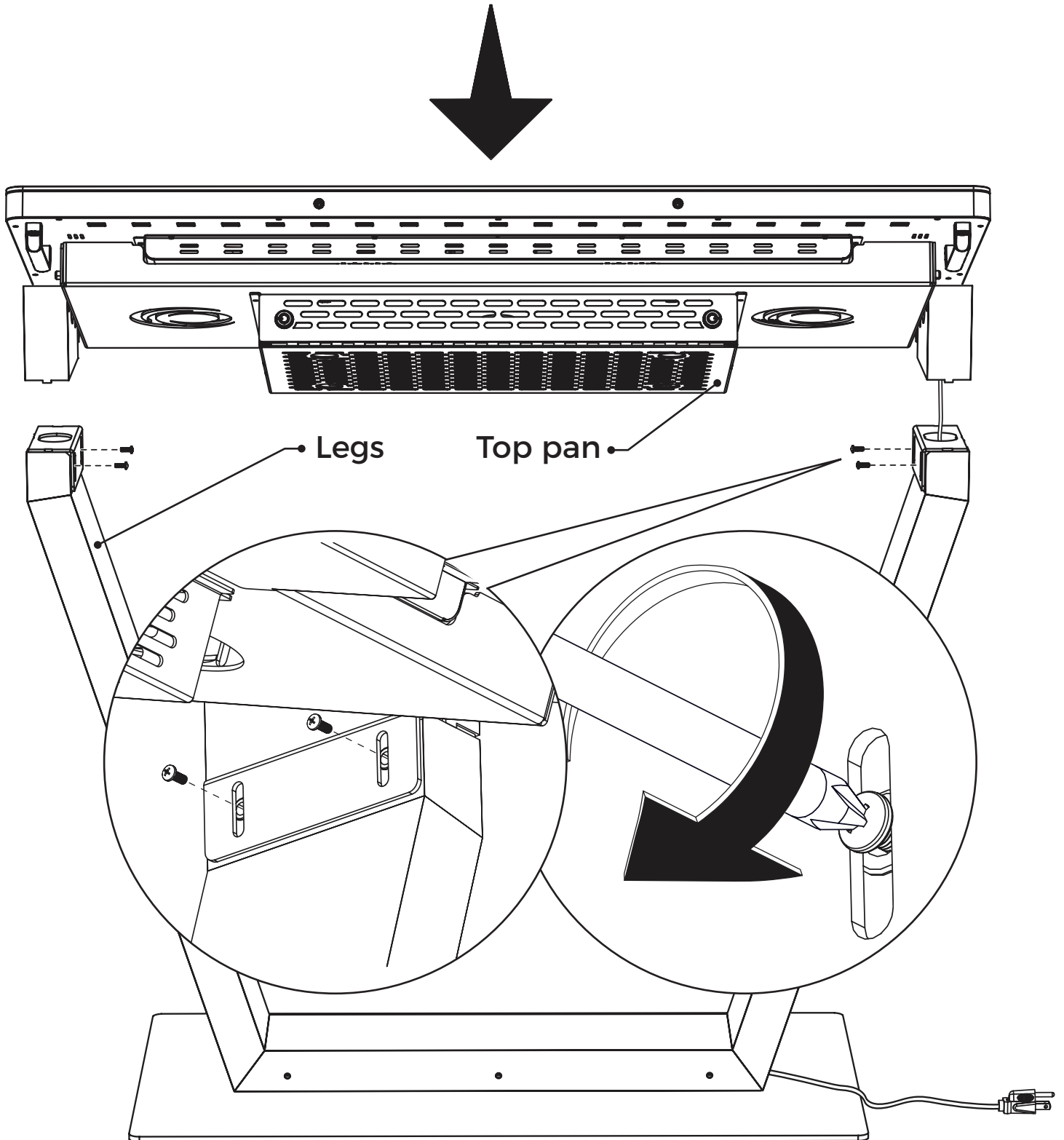
# Step 4

Install the **Top pan** to the **Screen** using the 4 M6 machine screws. There are 4 cut outs in the PC tray to allow access for this process. Make sure to install the wire cut out of the **Top pan** in the direction of the I/O's on the **Screen** as seen in the illustration below.



## Step 5

With 2 people attach the **Screen, Top pan,** and **Tilt** assembly to the **Legs** and **Base** by resting the assembly onto the **Legs** and installing the remaining **4 ¼-20** pan heads onto either side of the **Legs** as shown in the illustration.





## Step 6

Once everything is connected properly, please test the touch screen to make sure everything is fully functional. Now you're ready to install the **Cover tray**, which will cover up any exposed cables after all cable management has been done & everything has been tested completely.

Line up the cable **Cover tray** with the two holes on the **Top pan**.

For the three holes on the opposite side of the tray, you will use the three screws on the back of the **Screen** that line up with these holes. Please remove these three screws from the back of the screen **BEFORE** installing this part.

The side of the tray that is secured to the **Top pan** will be installed using the two size **10-32 x 1/4** inch screws. Install the two screws on the side that is secured to the **Top pan** first, then install the three screws on the side of the tray that is secured to the back of the **Screen**.

