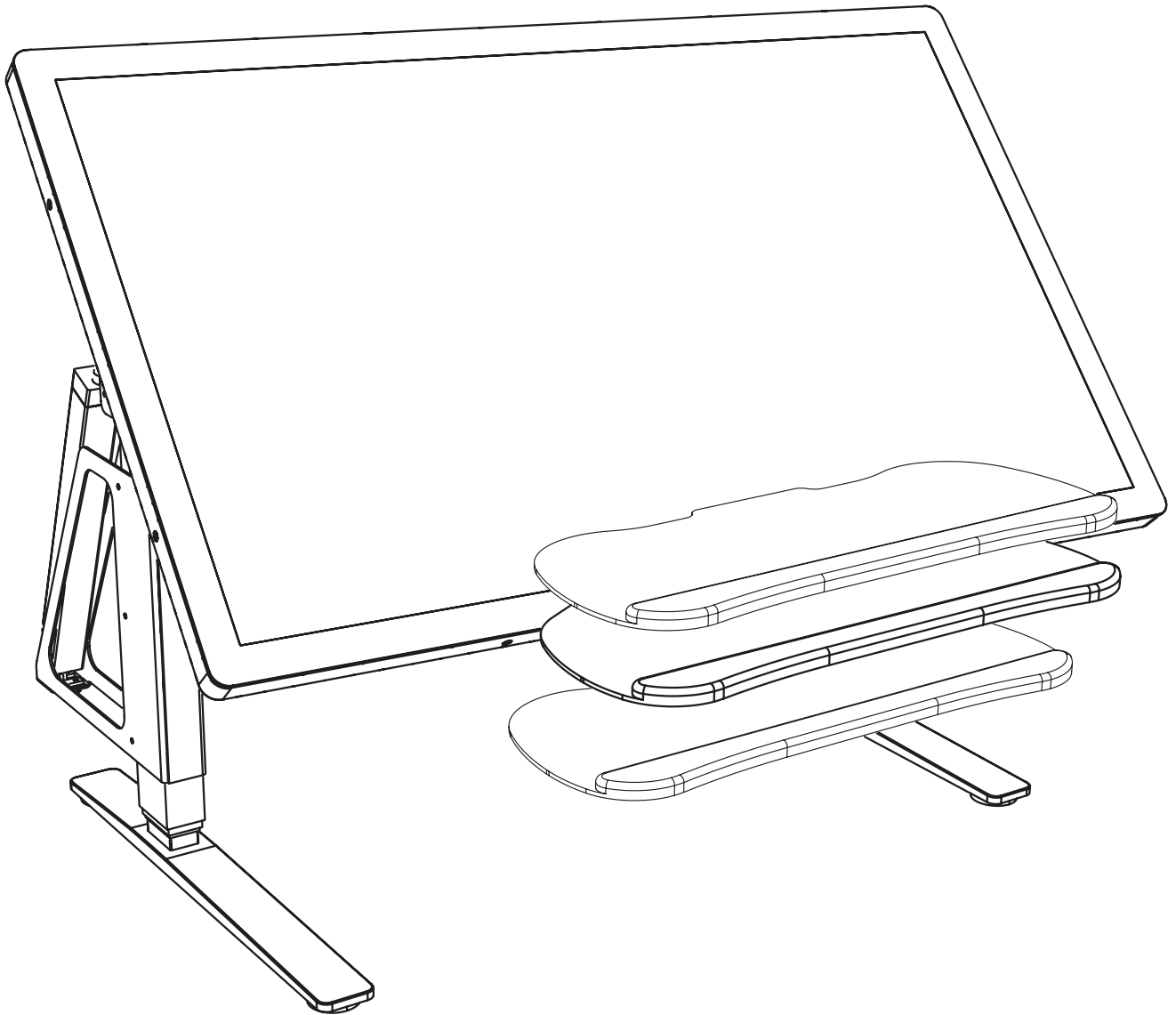


Touch Screen Kiosk

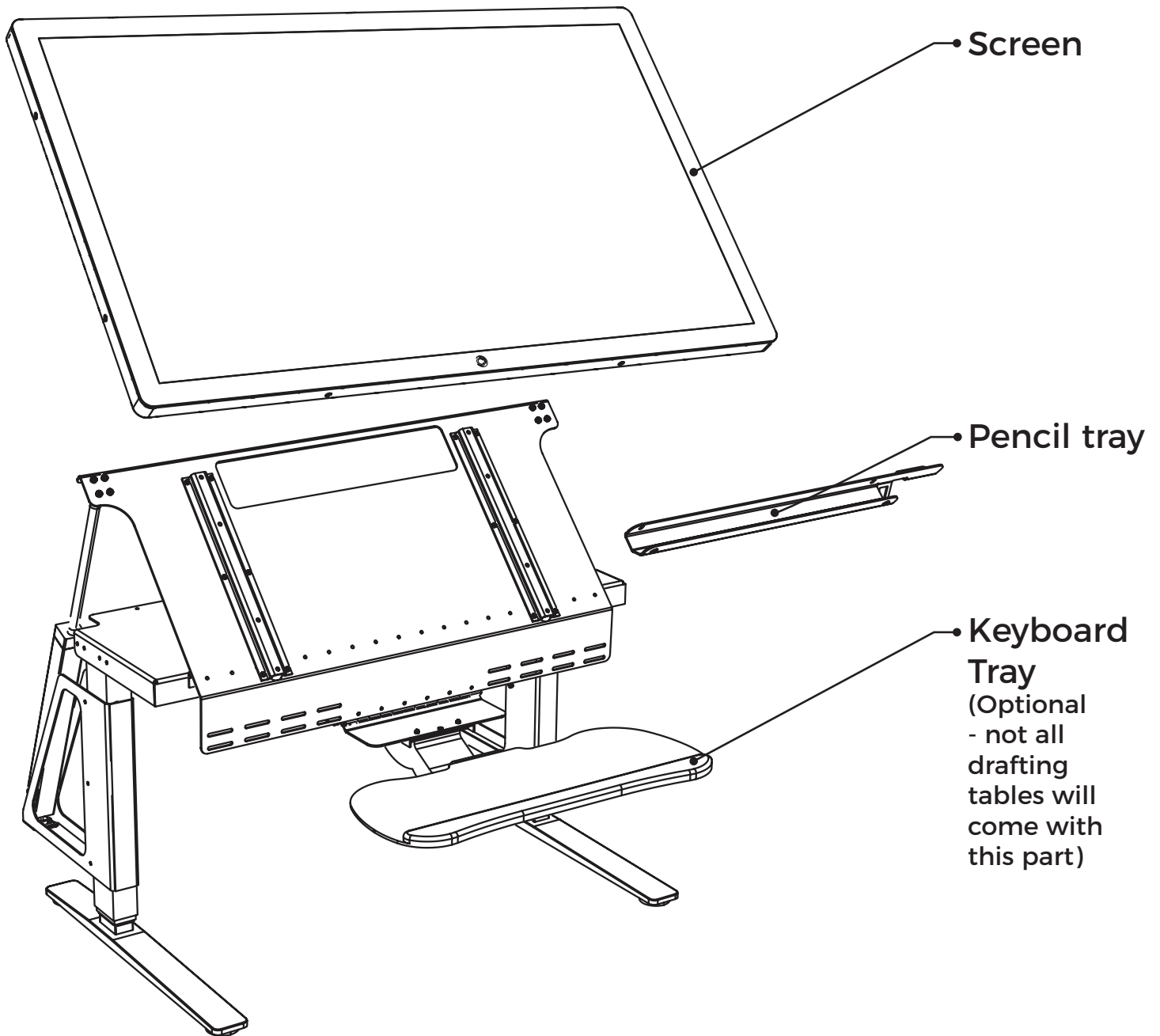


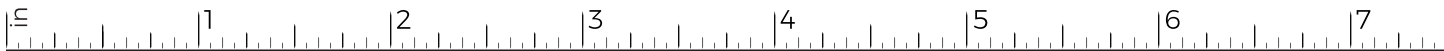
Assembly instructions

DRAFTING TABLE

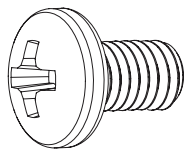


Parts:

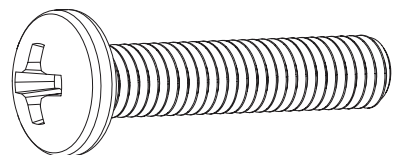




Hardware Included:

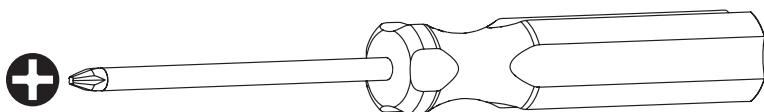


M6x12 Panhead Machine Screw x2

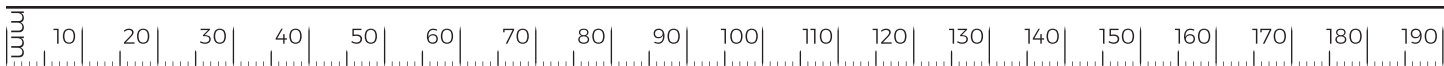


M6x30 Panhead Machine Screw x4

Tools needed:

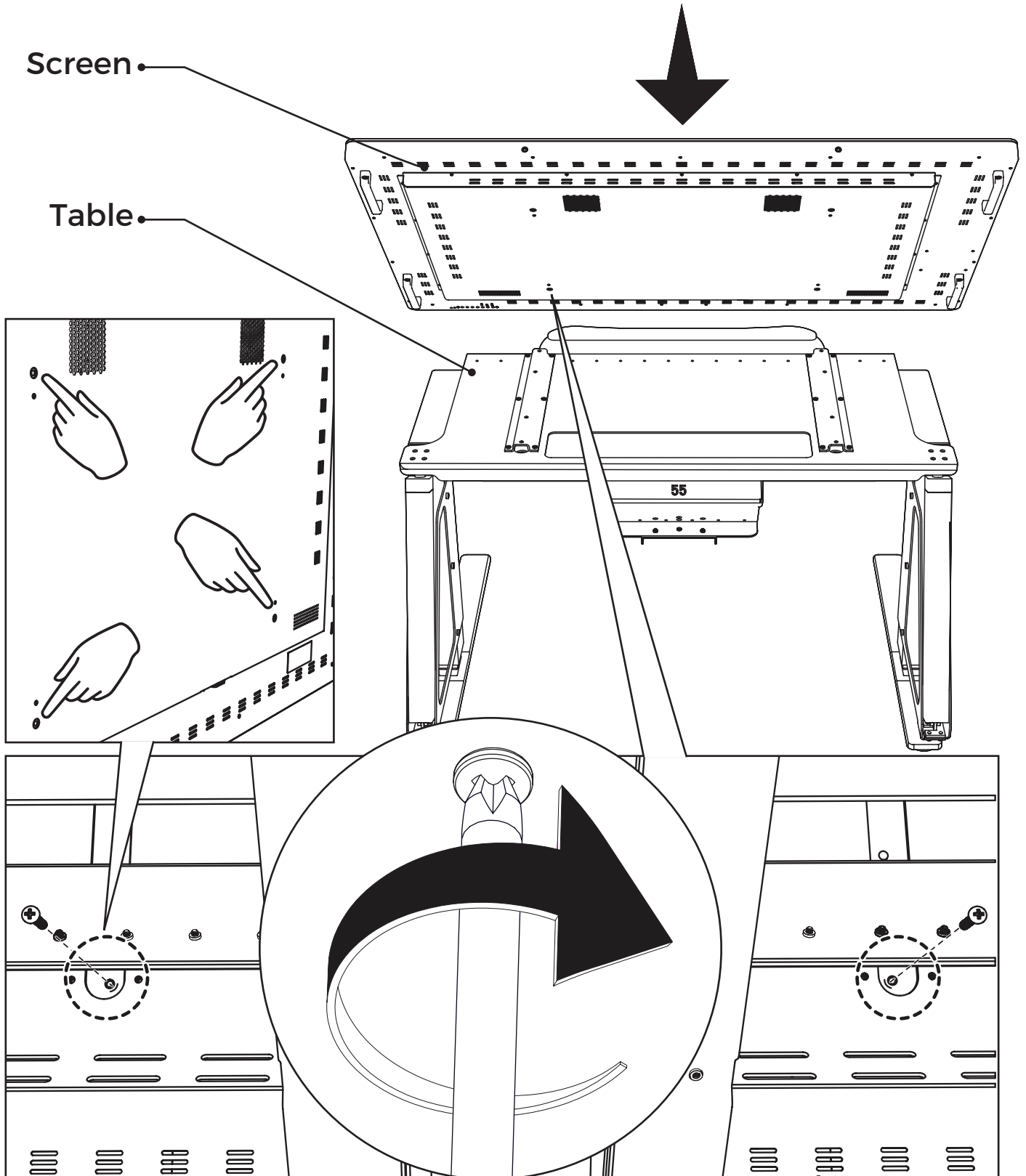


#2 Philips Head Screwdriver



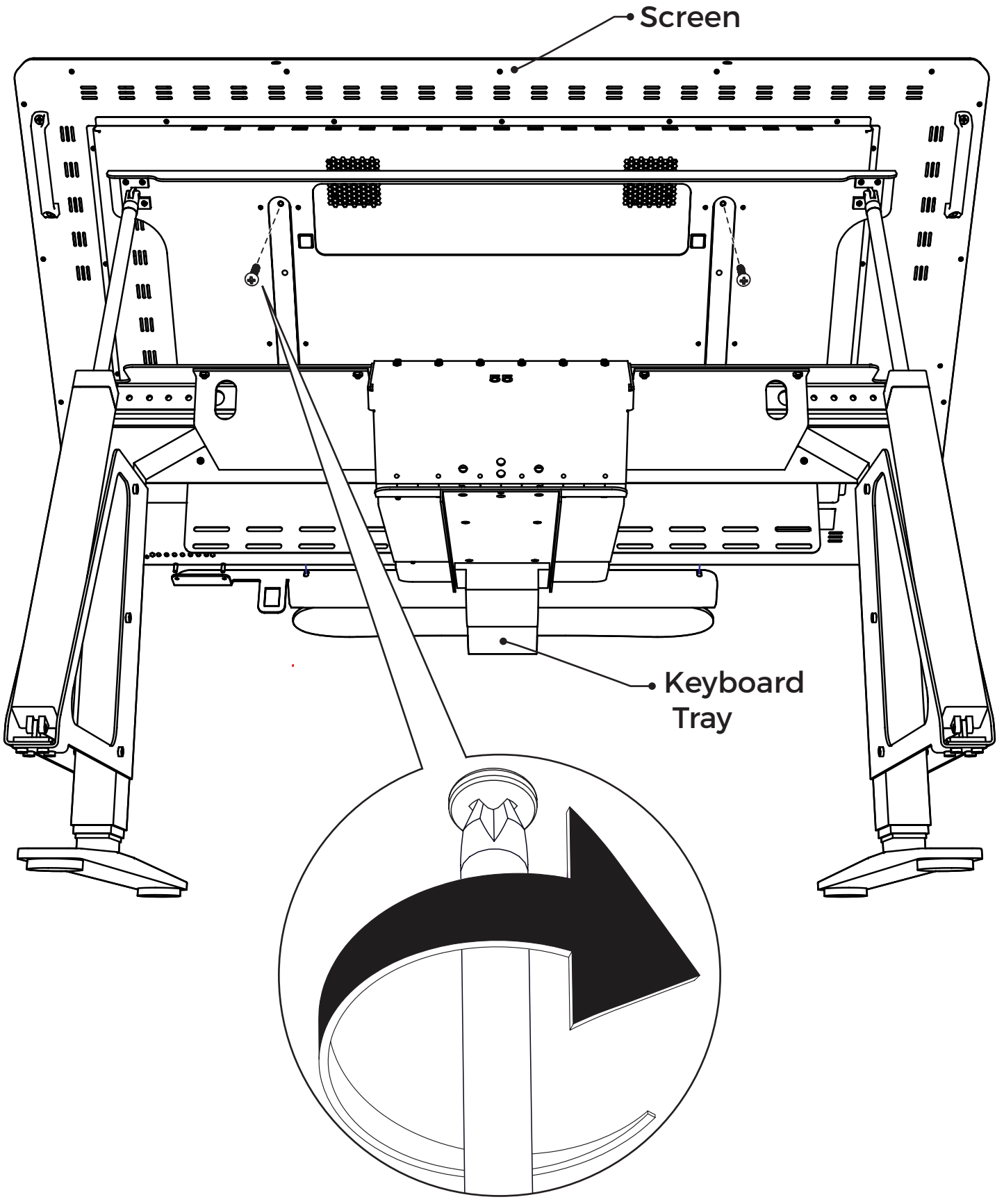
Step 1

The drafting table will ship fully assembled with the exception of the monitor, PC, and pencil tray. The first step will be to mount the **Screen** to the table by using the **M6** screws provided. Make sure the table is in a flat position. If you have a 46" table, you will install the top two screws first. If you have a 55" or 65" table, you will insert the bottom screws first. Please refer to the picture below to locate the areas where you will insert the screws.



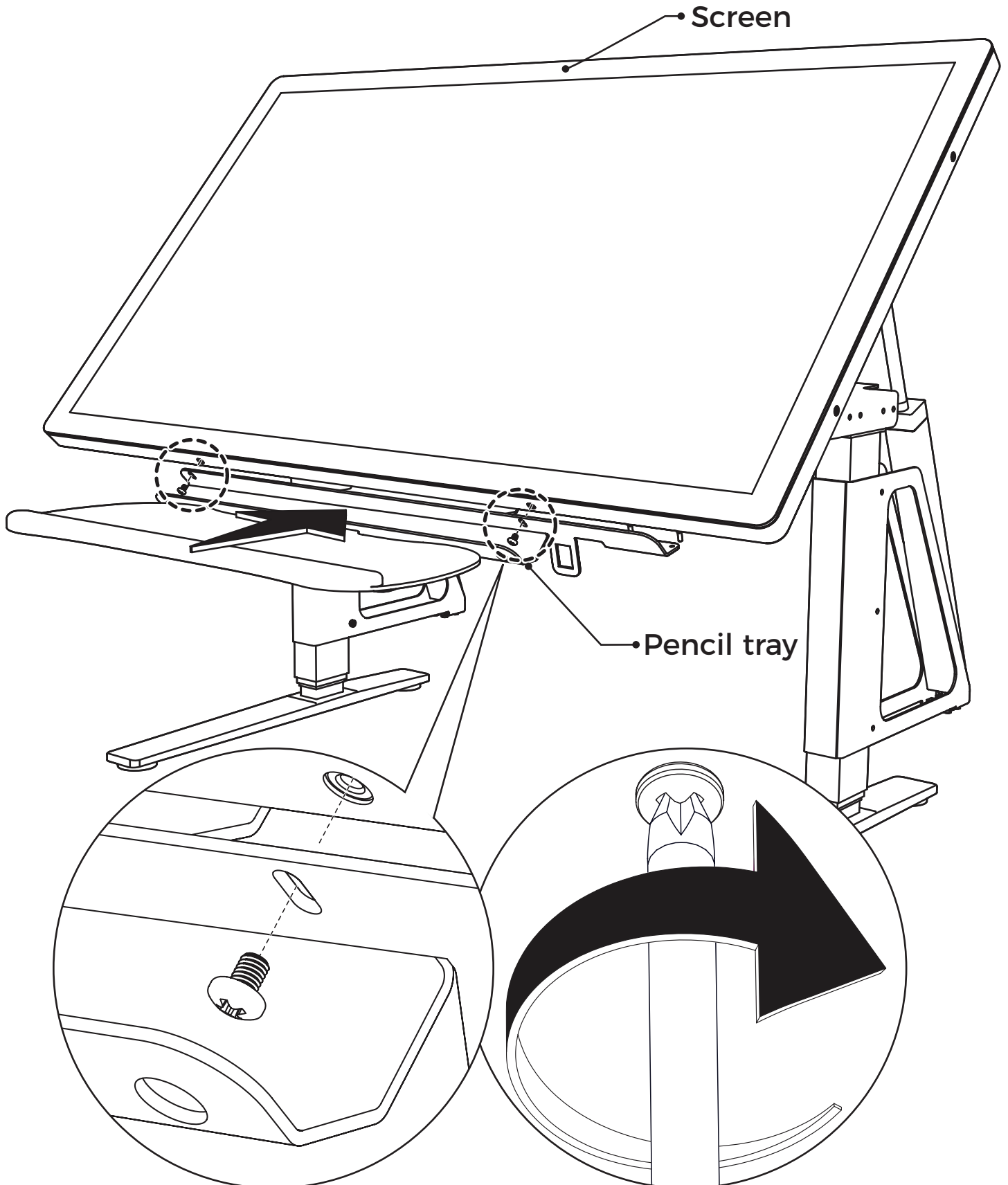
Step 2

Next, plug in the table and raise the tilt to access the other two screws either on the top or bottom of the **Screen**, depending on which size you have (please refer back to **Step 1** regarding the different sizes).



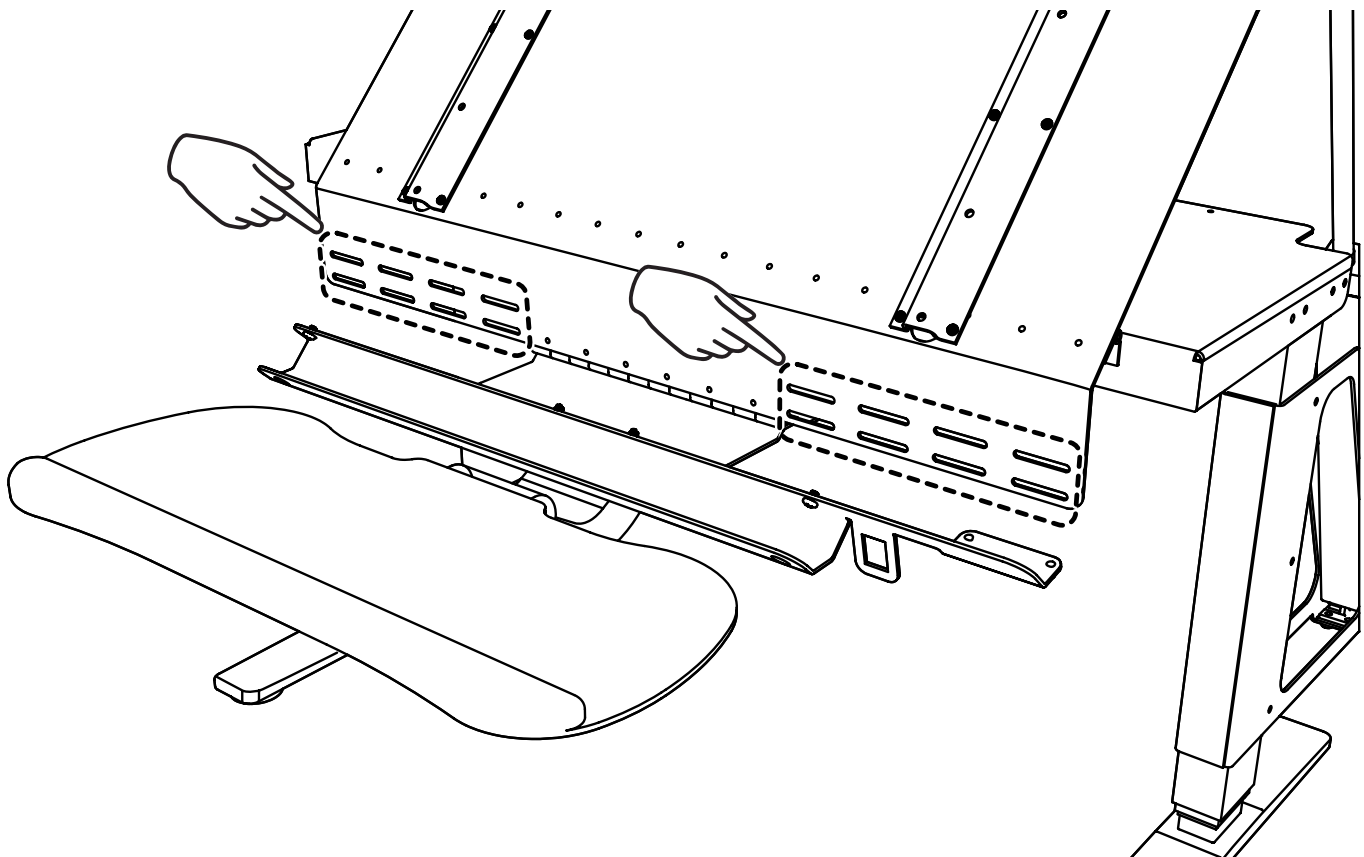
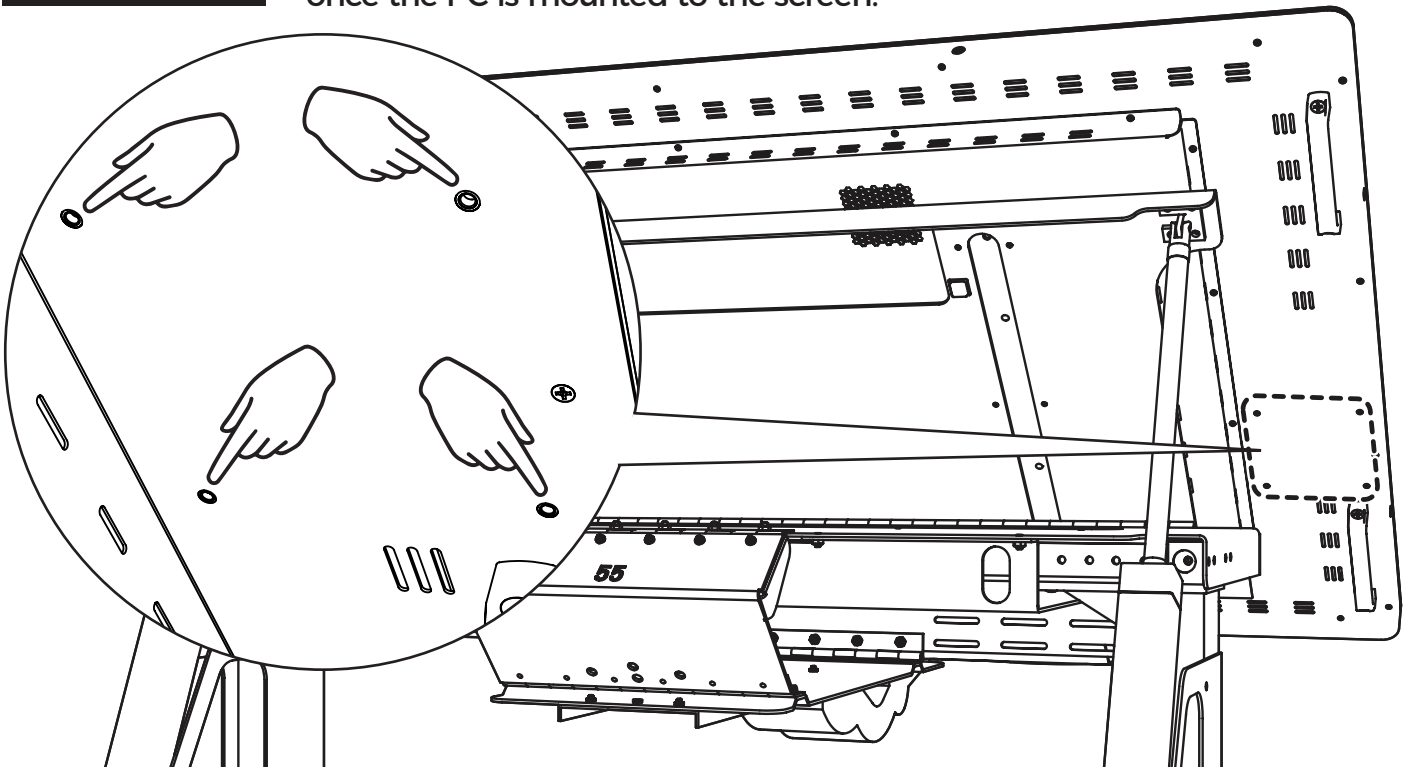
Step 3

Now that the **Screen** is attached you may begin to mount the **Pencil tray**. The screws for this (**M6x12**) should be screwed into the outer edge of the **Screen** chassis. Remove the screws and mount the **Pencil tray** to this edge as shown below.



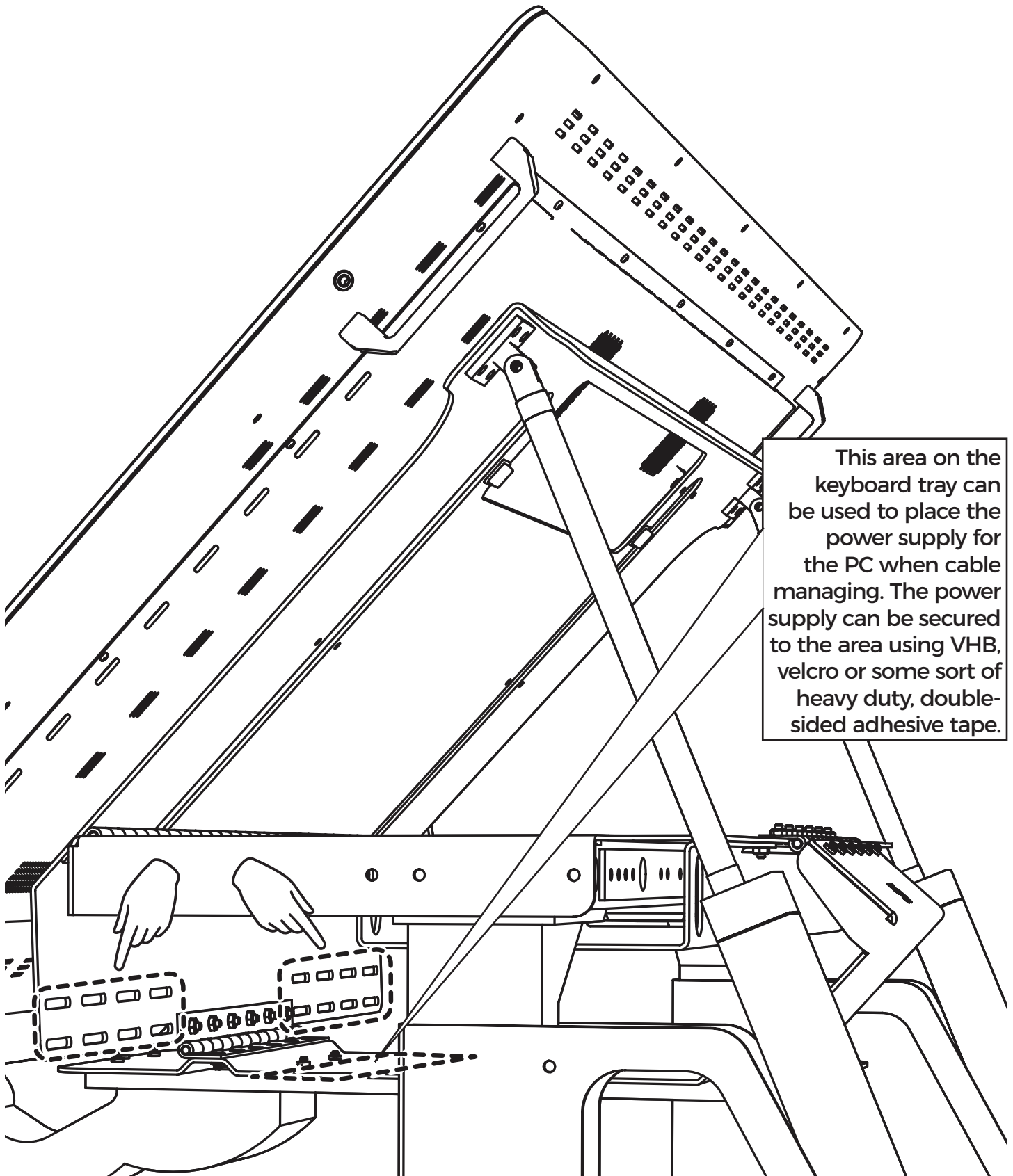
Step 4

Our screen was designed to accommodate a small form factor PC, such as an Intel NUC. Please refer to the picture below showing the back of the screen. The four screw holes shown on the right side of the screen align with the VESA pattern for mounting the PC. Please refer to the picture below of the drafting table. These holes on the table can be used for cable management once the PC is mounted to the screen.



Step 5

The areas outlined below are for cable management from the PC to the I/O's of the monitor. Once you've run the HDMI, USB, and monitor power cable they may be zip tied to these locations to keep them out of the way.



Troubleshooting

If the up and down movement of your table does not work properly upon arrival, the control module will need to be reset by following the following procedure: **(No cheating on the times here)**

1. Unplug the power from the desk.
2. Hold the down button for 30 seconds.
3. Plug the power back into the desk.
4. Hold the down button for up to 30 seconds. The desk should move to its lowest position and then raise up slightly.

At this point the reset is complete.

If the tilt function doesn't operate properly please check the connections at the switch to ensure that they are properly seated onto the terminals. If after checking the switch with no change in operation you will need to check the secondary connections. To do so pull back the black mesh wiring cover to find a second set of connections 4-6" away from the switch. If still no result ensure there is power running to the power supply which if powered will have a green LED light illuminated on the brick.

