

Optional UniLock Mounting and Stacking

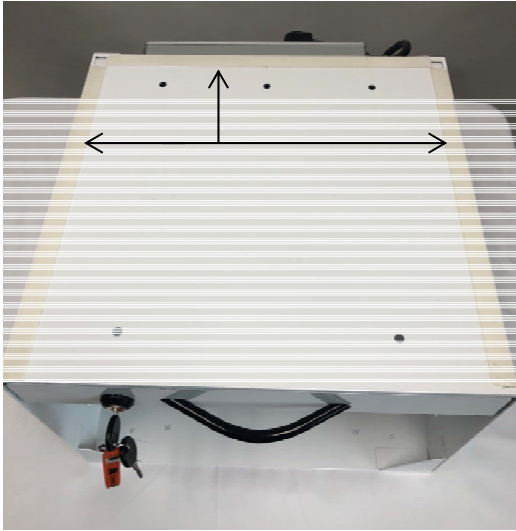


Table-top mounting/securing of the Riser (UniLock) can be accomplished in two ways.

- Bolting to surface
 - We provide a hardware mounting kit for a surface mount. You will be required to drill holes into the surface of your table-top to secure the UniLock with nuts and bolts.

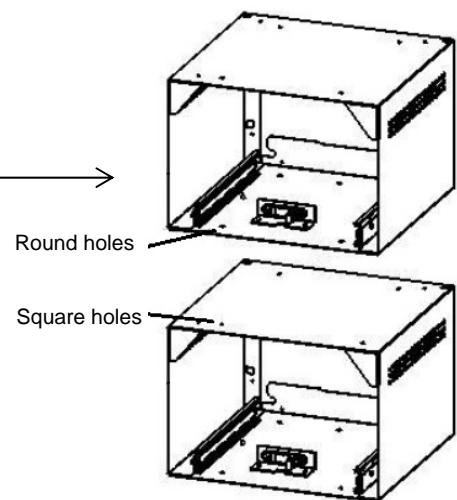
- VHB Adhesive
 - Three strips of VHB Adhesive tapes are pre-installed on the bottom of the UniLock. Peel and stick in desired location.

Stacking the Riser (UniLock)

Put Risers in place minus the moving shelf, as shown. →

Bolt down using (4 each) 10-32 carriage bolts, p/n 36655 and (4 each) 10-32 nuts p/n 51340.

Insert carriage bolts from the bottom up.



For More Information: 1-800-724-4339