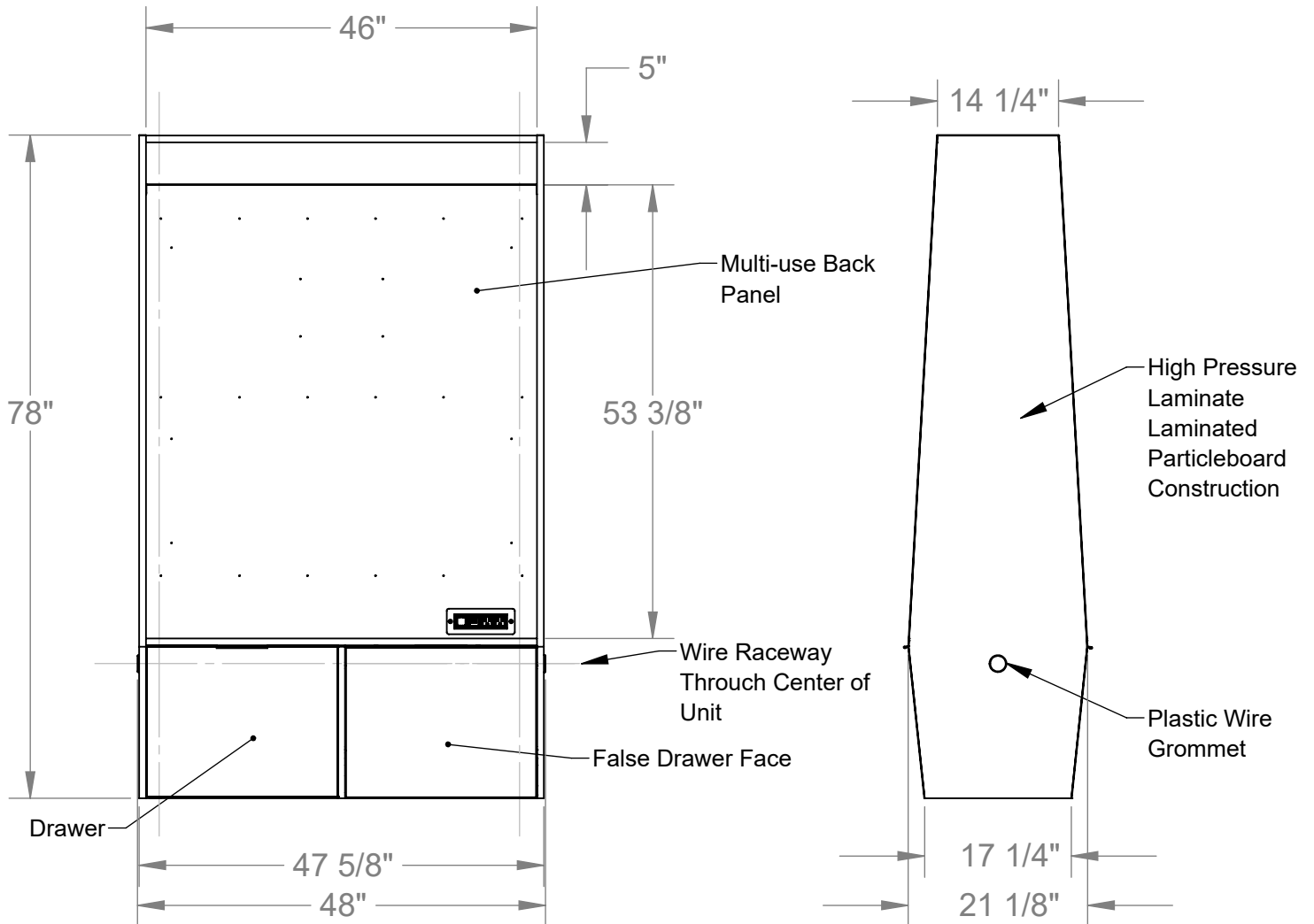


Define 4' Collaboration Unit / DEF4C-XXX

Product Specifications



Materials:

- Panels: 3/4" thick high pressure laminate laminated particle board.

Features:

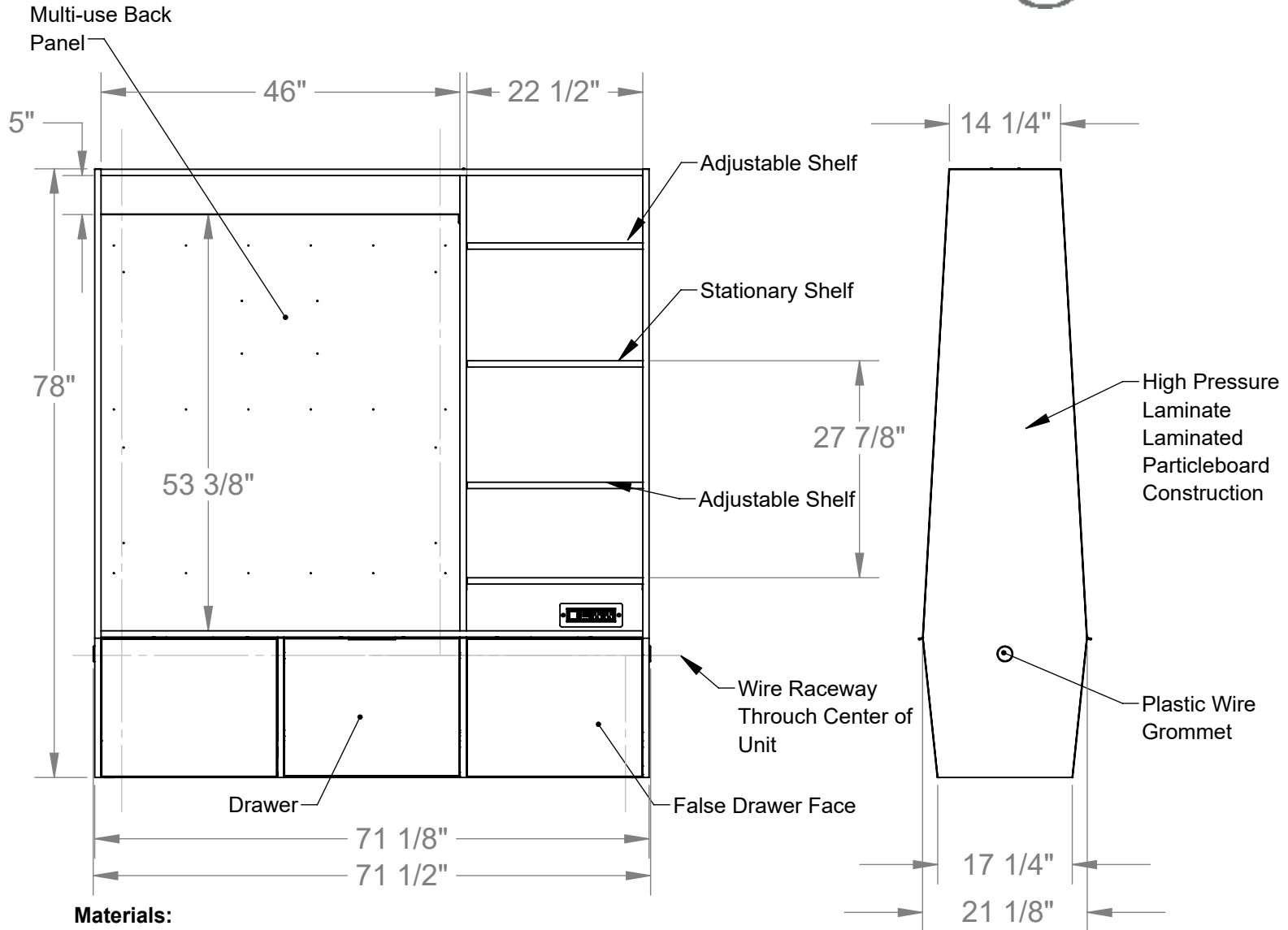
- Available in standard laminate finishes with matching edge banding for laminated components.
- Two drawers, one per side.
- Three-Dimensional wire raceway through unit.
- Can be permanently aligned with other units.
- Includes 4 leveling feet
- Unit carries a limited lifetime warranty

Notes:

- Indoor use only.
- Some assembly required.

Define 6' Collaboration Unit / DEF6C-XXX

Product Specifications



Materials:

- Panels: 3/4" thick high pressure laminate laminated particle board.

Features:

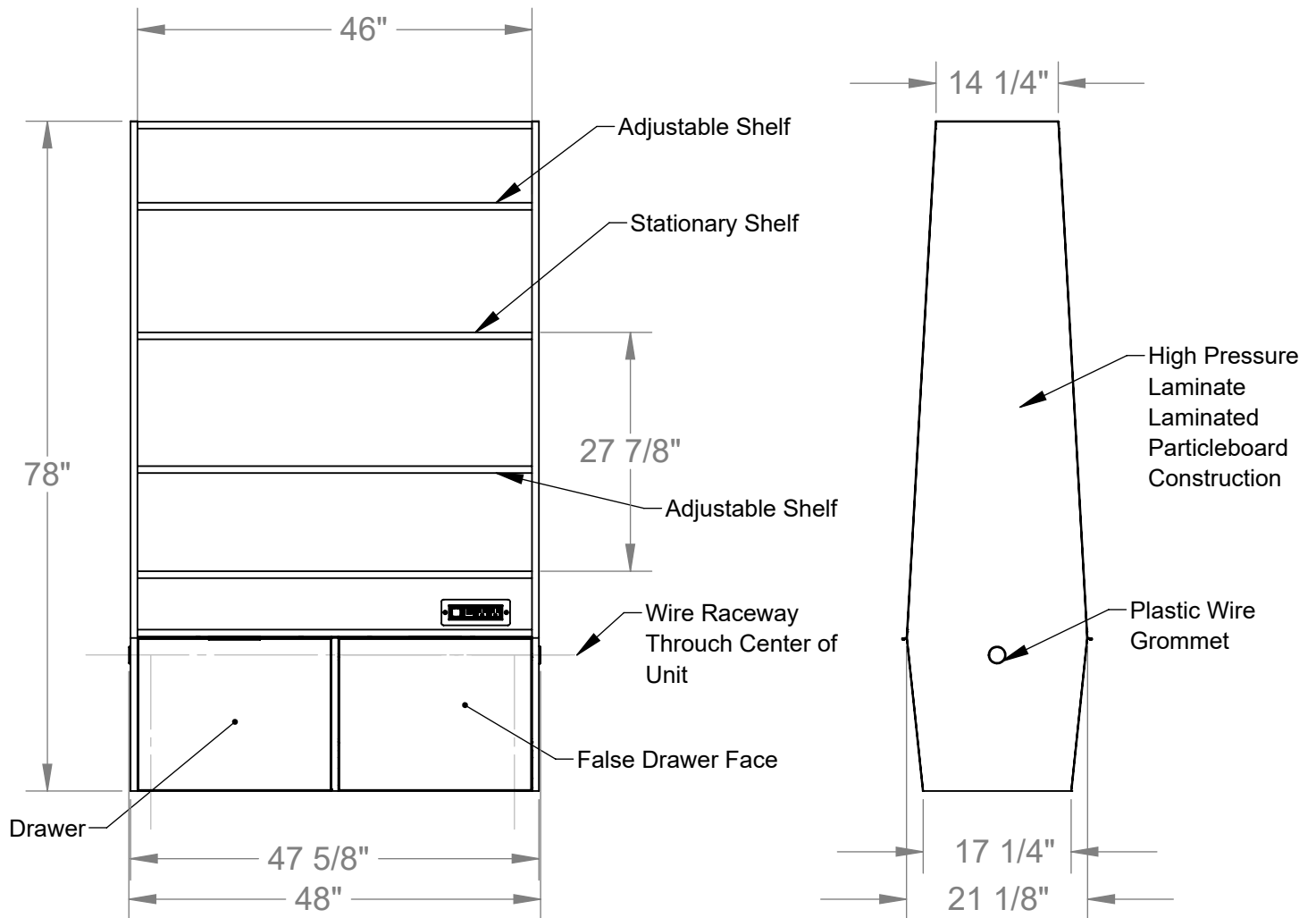
- Available in standard laminate finishes with matching edge banding for laminated components.
- Two adjustable shelves.
- Three drawers.
- Three-Dimensional wire raceway through unit.
- Can be permanently aligned with other units.
- Includes 4 leveling feet
- Unit carries a limited lifetime warranty

Notes:

- Indoor use only.
- Some assembly required.

Define 4' Shelving Unit / DEF4S-XXX

Product Specifications



Materials:

- Panels: 3/4" thick high pressure laminate laminated particle board.

Features:

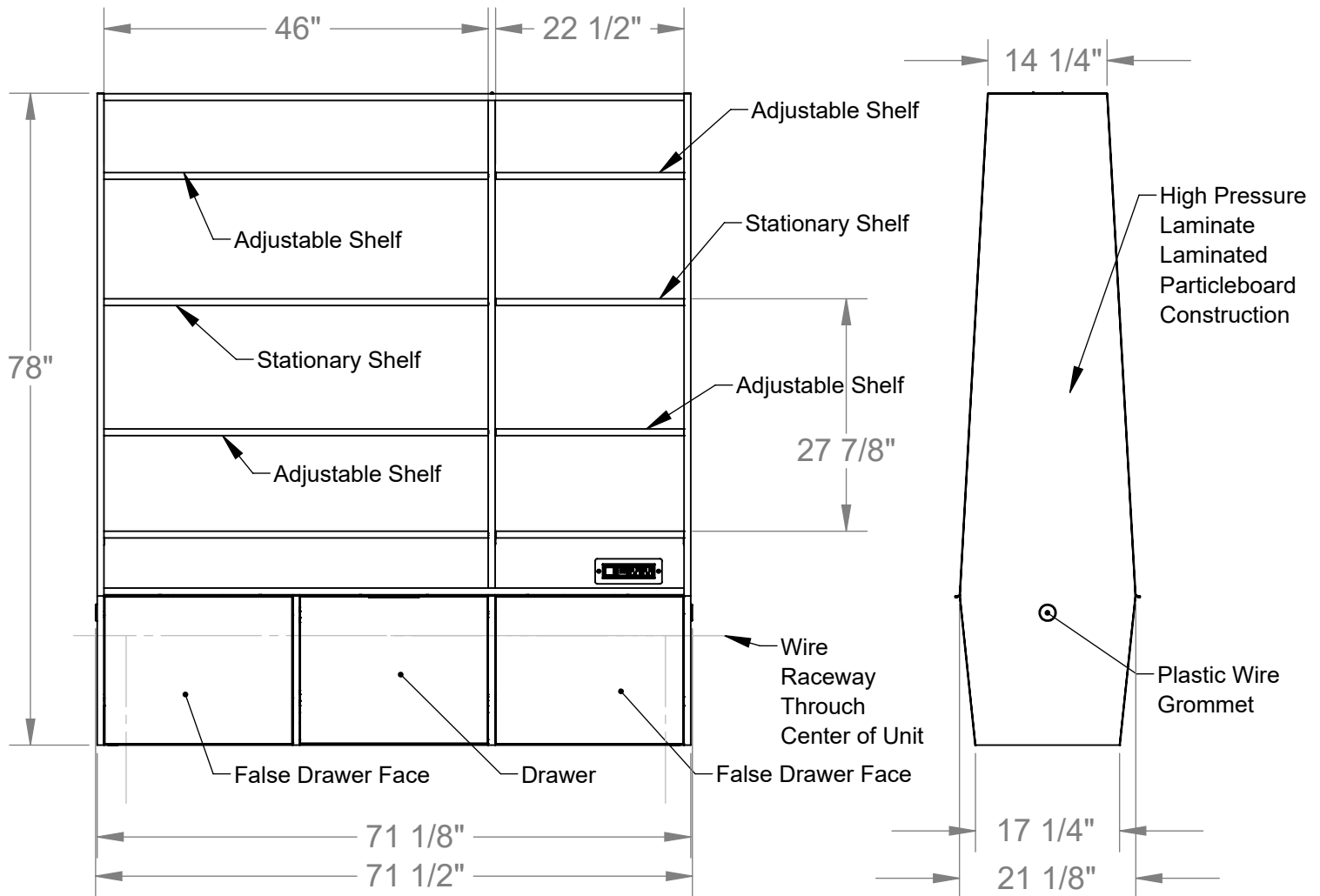
- Available in standard laminate finishes with matching edge banding for laminated components.
- Two adjustable shelves.
- Two drawers, one per side.
- Three-Dimensional wire raceway through unit.
- Can be permanently aligned with other units.
- Includes 4 leveling feet
- Unit carries a limited lifetime warranty

Notes:

- Indoor use only.
- Some assembly required.

Define 6' Shelving Unit / DEF6S-XXX

Product Specifications



Materials:

- Panels: 3/4" thick high pressure laminate laminated particle board.

Features:

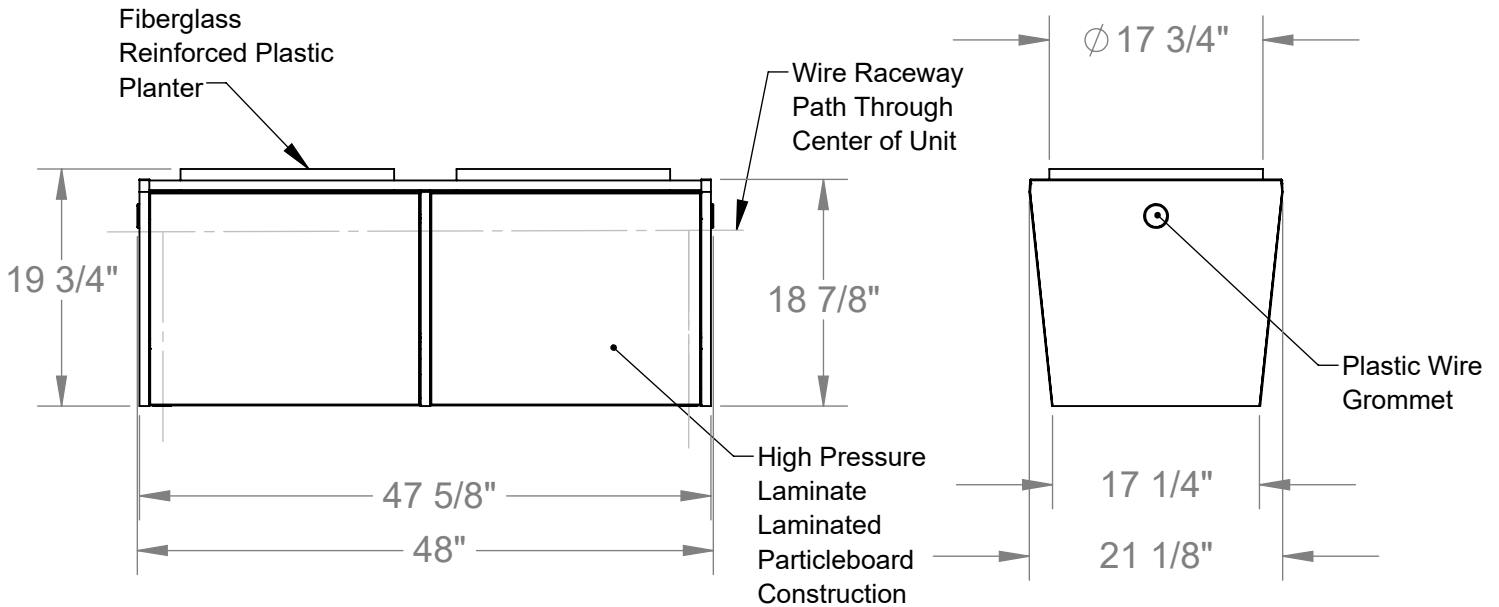
- Available in standard laminate finishes with matching edge banding for laminated components.
- Four adjustable shelves.
- Three drawers.
- Three-Dimensional wire raceway through unit.
- Can be permanently aligned with other units.
- Includes 4 leveling feet
- Unit carries a limited lifetime warranty

Notes:

- Indoor use only.
- Some assembly required.

Define 4' Planter / DEF4P-XXX

Product Specifications



Materials:

- Panels: 3/4" thick high pressure laminate laminated particle board.
- Pots: Fiberglass reinforced plastic 18" planter (11 gal.)

Features:

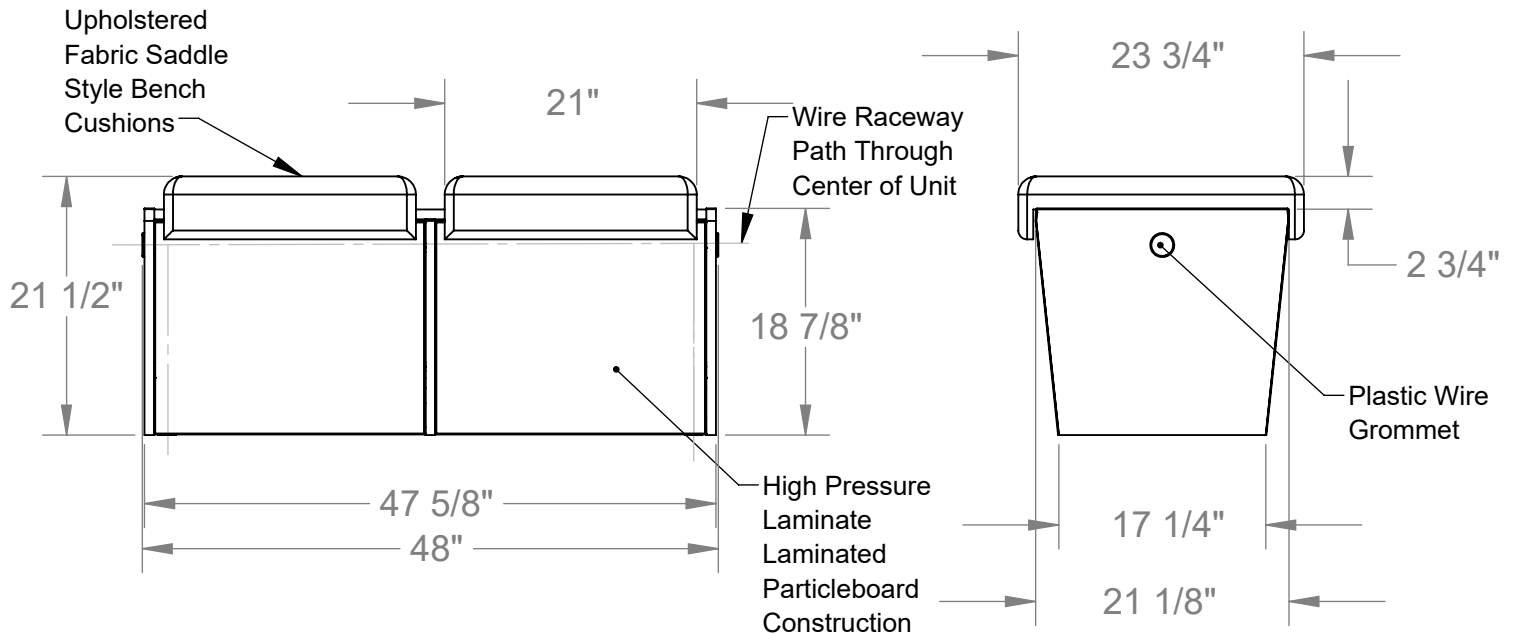
- Available in standard laminate finishes with matching edge banding for laminated components.
- Two white plastic pots.
- Three-Dimensional wire raceway through unit.
- Can be permanently aligned with other units.
- Includes 4 leveling feet
- Unit carries a limited lifetime warranty, Pots have a 10 year warranty.

Notes:

- Indoor use only.
- Some assembly required.

Define 4' Bench / DEF4B-XXXXXXXX

Product Specifications



Materials:

- Panels: 3/4" thick high pressure laminate laminated particle board.
- Cushions: plywood frame covered in 2550 polyurethane foam and dacron, wrapped with upholstery fabric.

Features:

- Available in standard or custom fabrics.
- Available in standard laminate finishes with matching edge banding for laminated components.
- Three-Dimensional wire raceway through unit.
- Can be permanently aligned with other units.
- Includes 4 leveling feet
- Unit carries a limited lifetime warranty, Cushions have a 10 year warranty.

Notes:

- Indoor use only.
- Some assembly required.