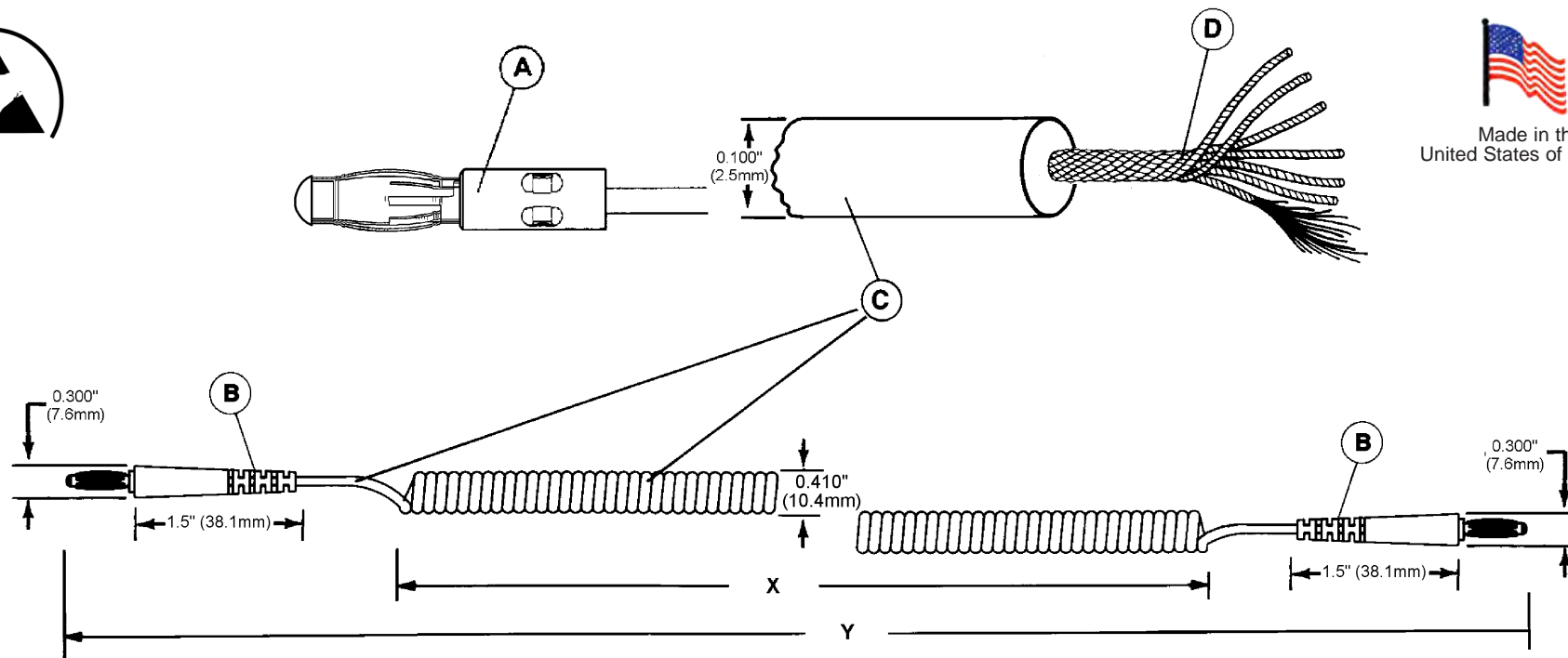




Made in the United States of America



Banana-Banana Coil Cord allows cart users to ground carts to common grounding point on a bench.

A. Patented* barrel type banana plug with machined contour spring support. Crimped uniformly from 4 sides for maximum strength. Fits industry standard banana jack $\geq .157$ ". Will maintain greater than 1 pound disengagement force over the life of the cord.

B. Thermoplastic elastomer strain relief molded on. Bending Life Test average $>1,000,000$ cycles per ANSI/ESD S20.20 (Tested per ESD S1.1). Break load average 30 pounds.

C. Wire insulation black color PVC. Break load average 30 pounds.

D. Single T-2940 tinsel conductor. Consisting of 7 strands of polyester wrapped with copper. High flex life. Equivalent is 29 gauge (cir mil and/or ohms).

ITEM	Retracted Length		Extended Length	
	X	Y	Nominal	Max
14113	24"	32"	12'	17'
14114	30"	38"	15'	22'

Unless otherwise noted, tolerance is $\pm 10\%$

*U.S. Patent 5951337

Specifications and procedures subject to change without notice.

Relaxed Retraction Coil Cords

DESCO

DESCO WEST: 3651 WALNUT AVE., CHINO, CA 91710 WEB SITE: Desco.com
PHONE (909) 627-8178 FAX (909) 627-7449

DESCO EAST: ONE COLGATE WAY, CANTON, MA 02021-1407
PHONE (781) 821-8370 FAX (781) 575-0172

DRAWING NUMBER
14113

DATE:
September
2011