

Mounting Bracket Kit for Overhead Ionizers Installation Instructions



Made in the
United States of America

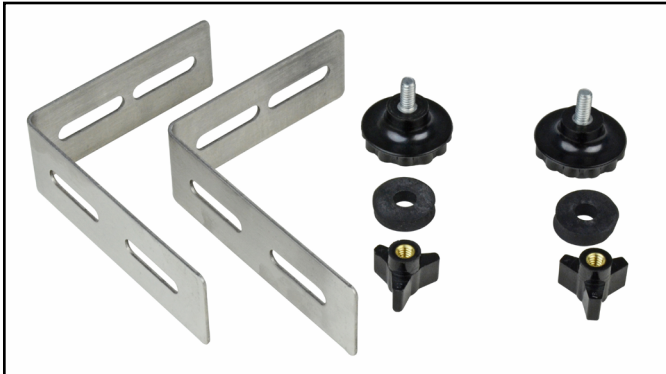


Figure 1. Desco [60469](#) Mounting Bracket Kit for Overhead Ionizers

Description

The Desco [60469](#) Mounting Bracket Kit for Overhead Ionizers provides greater mounting flexibility than traditional hanging chains. Angle adjustment tension knobs are included to rotate and aim the ionizer directly at the area to be neutralized. Additional mounting hardware such as screws, bolts and nuts are not included.

The Desco [60469](#) Mounting Bracket Kit is compatible with the following Desco overhead ionizers:

Item	Description
50602	Chargebuster® Overhead Ionizer with Lights, 2-Fan, 220VAC
50603	Chargebuster® Overhead Ionizer with Lights, 3-Fan, 220VAC
50664	Overhead Zero Volt Ionizer, 2-Fan, 120VAC
50665	Overhead Zero Volt Ionizer, 3-Fan, 120VAC
50671	Overhead Zero Volt Ionizer, 2-Fan, 220VAC
50672	Overhead Zero Volt Ionizer, 3-Fan, 220VAC
50681	Chargebuster® Overhead Ionizer, 3-Fan, 220VAC
50682	Chargebuster® Overhead Ionizer, 2-Fan, 220VAC
60467	Chargebuster® Overhead Ionizer with Lights, 2-Fan, 120VAC
60468	Chargebuster® Overhead Ionizer with Lights, 3-Fan, 120VAC
60473	Chargebuster® Overhead Ionizer, 3-Fan, 120VAC
60640	Chargebuster® Overhead Ionizer, 2-Fan, 120VAC

Packaging

- 2 Mounting Brackets
- 2 Fluted Knobs
- 2 3-Arm Knobs
- 2 Rubber Spacers

Installation

1. Install the fluted knobs (A), mounting brackets (B), rubber spacers (C) and 3-arm knobs (D) to the mounting plates (E) located on both ends of the overhead ionizer.

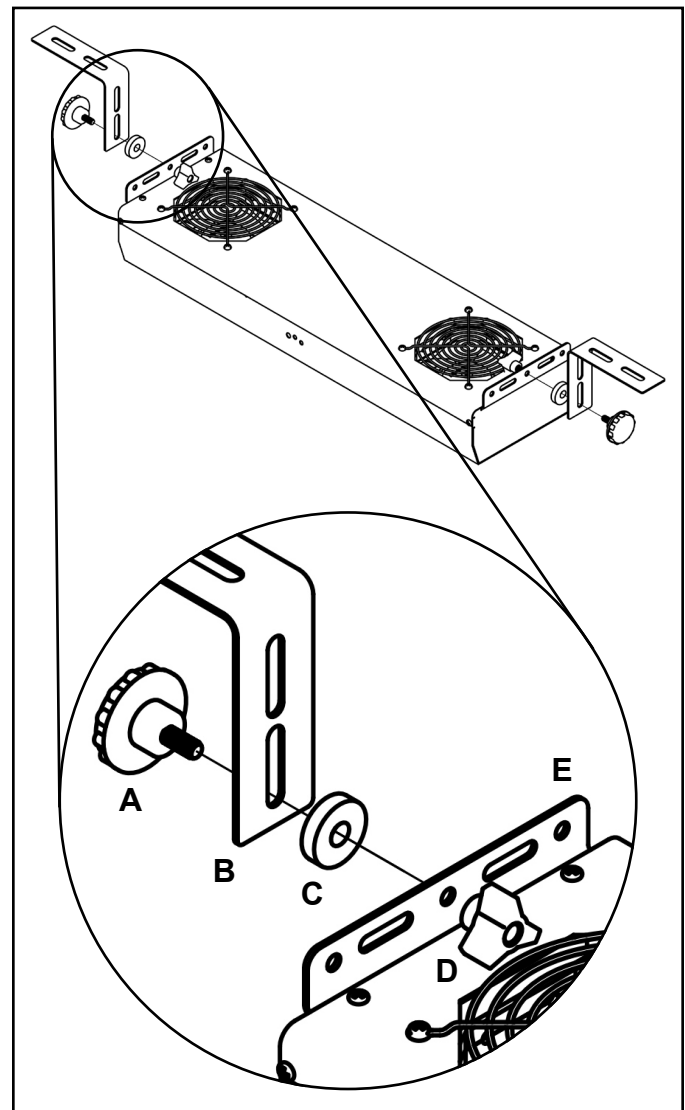


Figure 2. Installing the Mounting Bracket Kit to the Overhead Ionizer

2. Determine the mounting location for the overhead ionizer, and use hardware (not included) to secure the mounting bracket kit in place.
3. Use the fluted knobs and 3-arm knobs to rotate and aim the overhead ionizer directly at the area to be neutralized.
4. Connect the overhead ionizer's power cord to its power receptacle. Route the power cord to the AC outlet, and plug it into the outlet.



Figure 3. Using the Mounting Bracket Kit on a workbench beam



Figure 4. Securing the Mounting Bracket Kit to an overhead beam

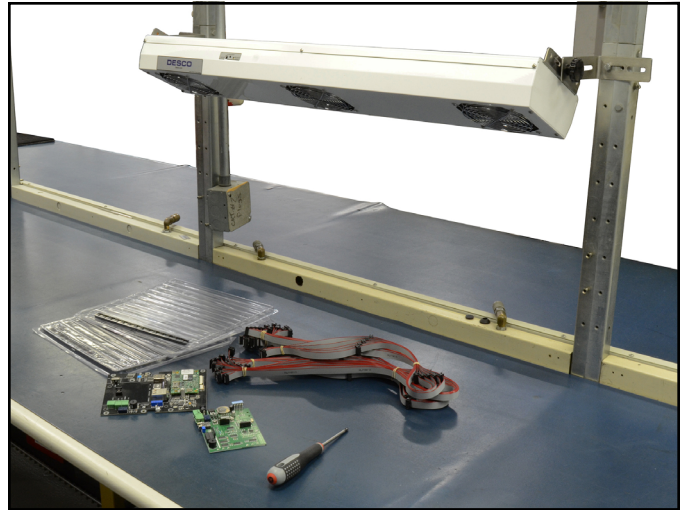


Figure 5. Using the Mounting Bracket Kit on workbench posts

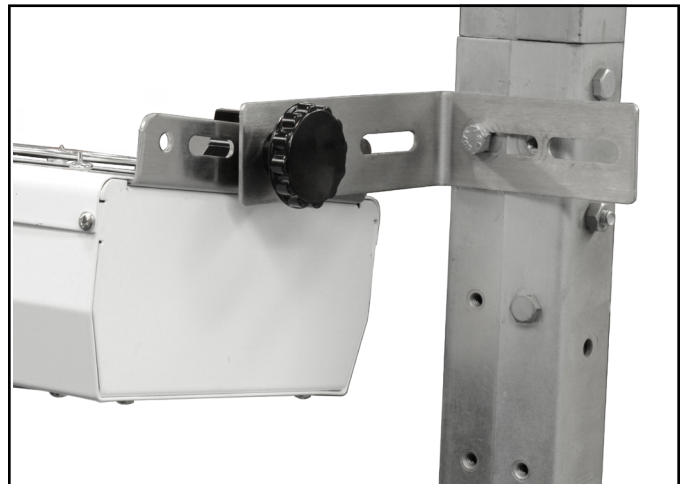


Figure 6. Securing the Mounting Bracket Kit to posts

Specifications

Bracket Material	Stainless Steel
Dimensions	See Figure 7
Weight (per mounting bracket)	0.2 lbs. (91 g)
Country of Origin	United States of America

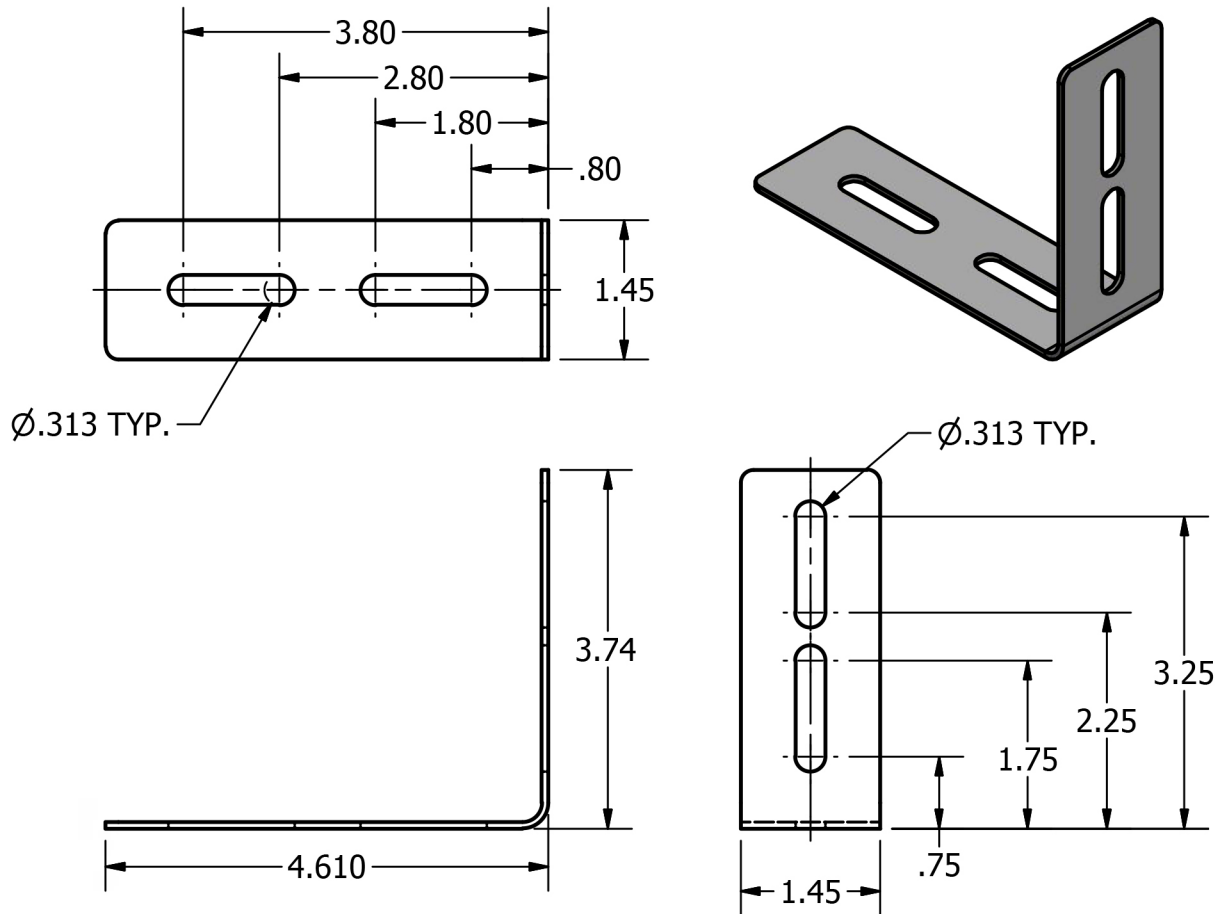


Figure 7. Dimensions of Mounting Bracket in inches

Limited Warranty, Warranty Exclusions, Limit of Liability and RMA Request Instructions

See the Desco Warranty - Desco.com/Limited-Warranty.aspx