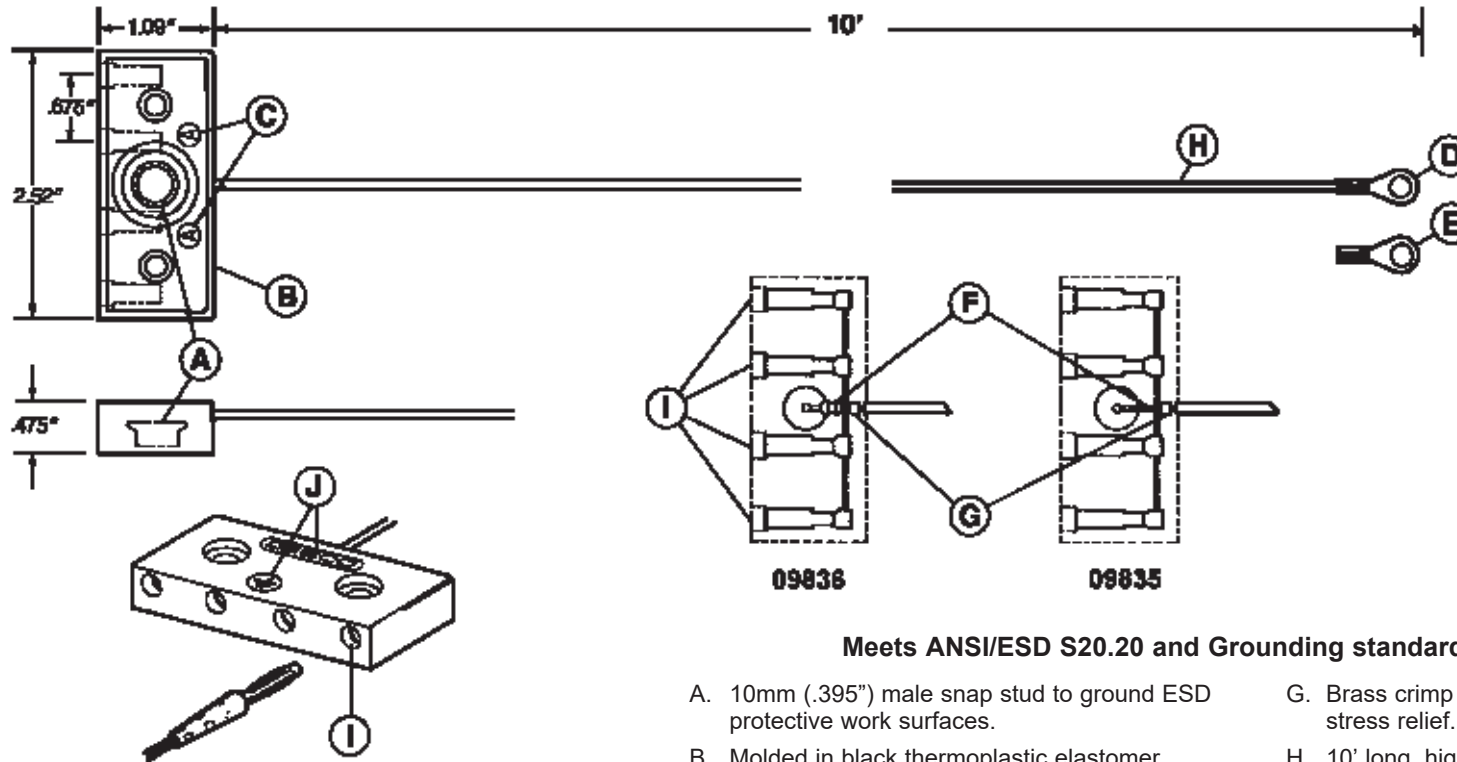


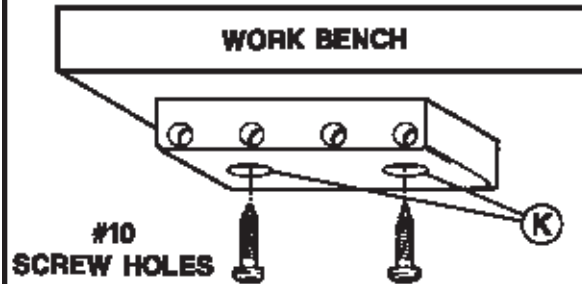


Made in the United States of America



Meets ANSI/ESD S20.20 and Grounding standard ANSI/ESD S6.1

- A. 10mm (.395") male snap stud to ground ESD protective work surfaces.
- B. Molded in black thermoplastic elastomer.
- C. Date coded to show month and year of manufacture.
- D. Ring terminal, .200" I.D. (#10).
- E. Extra ring terminal included for customizing length.
- F. Item [09836](#) has a one megohm resistor between the snap and ground, with the four banana jacks at ground potential. Item [09835](#) has no resistor between the snap and ground, with the banana jacks also at ground potential.
- G. Brass crimp secures conductors and provides stress relief.
- H. 10' long, high flex strand copper, 20 gauge, with PVC insulated jacket.
[09835](#) - green insulation with yellow stripe
[09836](#) - black insulation
OD = .100"
- I. Four banana jacks at ground potential (.162" - .164" ± .002" ID).
- J. Desco logo and ground symbol molded onto top of snap assembly.
- K. Molded #10 mounting holes allow for permanent installation at the work bench.



Item	Description
09835	No Resistor - Green Wire with Yellow Stripe
09836	One Megohm Resistor to Mat - Black Wire

Specifications and procedures subject to change without notice.

QUAD GROUND CORD, COMMON POINT, GROUND BLOCK



DESCO WEST: 3651 WALNUT AVE., CHINO, CA 91710 WEB SITE: Desco.com
 PHONE (909) 627-8178 FAX (909) 627-7449 FAX REQUEST (909) 627-7126
 DESCO EAST: ONE COLGATE WAY, CANTON, MA 02021-1407
 PHONE (781) 821-8370 FAX (781) 575-0172

DRAWING NUMBER
09835

DATE:
December 2019