

# Variant: [No Variations]

| Sheet | Index                     |
|-------|---------------------------|
| ..... | .....                     |
| 1     | COVER PAGE                |
| 2     | CONNECTORS AND PROTECTION |
| 3     | AMPLIFIERS                |

Terms of Use. The contents are provided "AS IS". DIGILENT DISCLAIMS ALL WARRANTIES, EITHER EXPRESS OR IMPLIED, INCLUDING, BUT NOT LIMITED TO, THE IMPLIED WARRANTIES OF MERCHANTABILITY, FITNESS FOR A PARTICULAR PURPOSE, AND NON-INFRINGEMENT OF INTELLECTUAL PROPERTY. The contents could contain technical inaccuracies, typographical errors or out-of-date information. Information may be updated or changed at any time, without notice. Use of such information is therefore at your own risk. Digilent may at any time revise these Terms of Use. You are bound by such revisions and should therefore visit <https://store.digilentinc.com/terms-of-use/> to review the current Terms of Use.

Limitation of Liability. DIGILENT WILL NOT BE LIABLE FOR DIRECT, INDIRECT, SPECIAL, INCIDENTAL, COVER, ECONOMIC, OR CONSEQUENTIAL DAMAGES ARISING OUT OF THE USE OR INABILITY TO USE THE CONTENTS EVEN IF DIGILENT IS ADVISED OF THE POSSIBILITY OF SUCH DAMAGES.

Chinese ROHS   ROHS   UKCA   CE   AD3 AUDIO IO ADAPTER

|                           |  |                              |
|---------------------------|--|------------------------------|
| Title                     |  | Rev                          |
| <b>AD Audio Adapter +</b> |  | <b>C.0</b><br>Copyright 2022 |
| Circuit                   |  |                              |
| Cover page                |  |                              |
| Doc# 410-418              |  |                              |
| Engineer GC               |  |                              |
| Author VVA                |  |                              |
| Date 06/04/2023           |  |                              |
| Sheet# 1 out of 3         |  |                              |

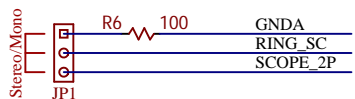
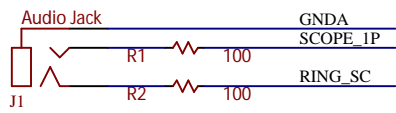


**DIGILENT**<sup>®</sup>

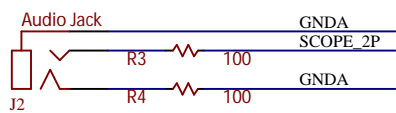
*A National Instruments Company*

### Scope

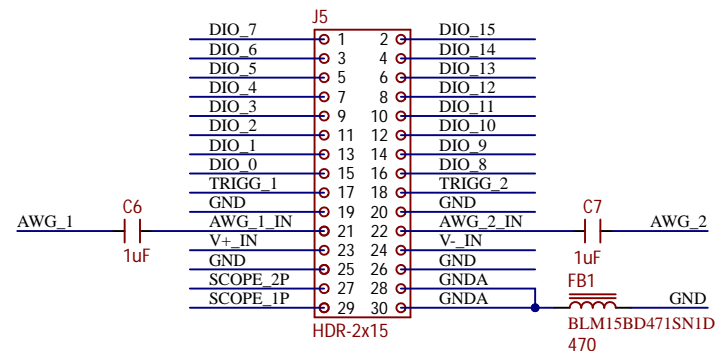
#### Stereo/Mono 1



#### Mono 2

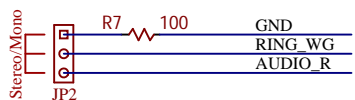
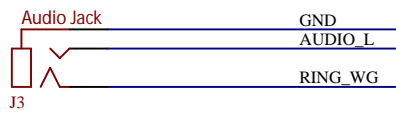


### Input

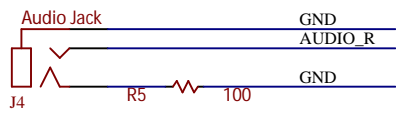


### Wavegen

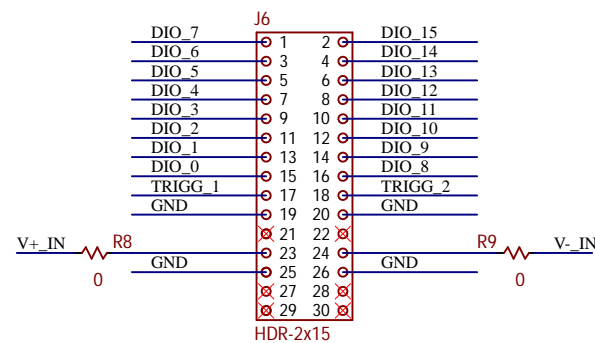
#### Stereo/Mono 1



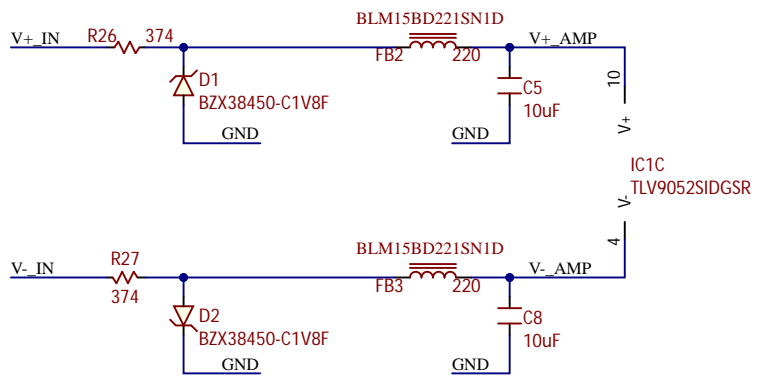
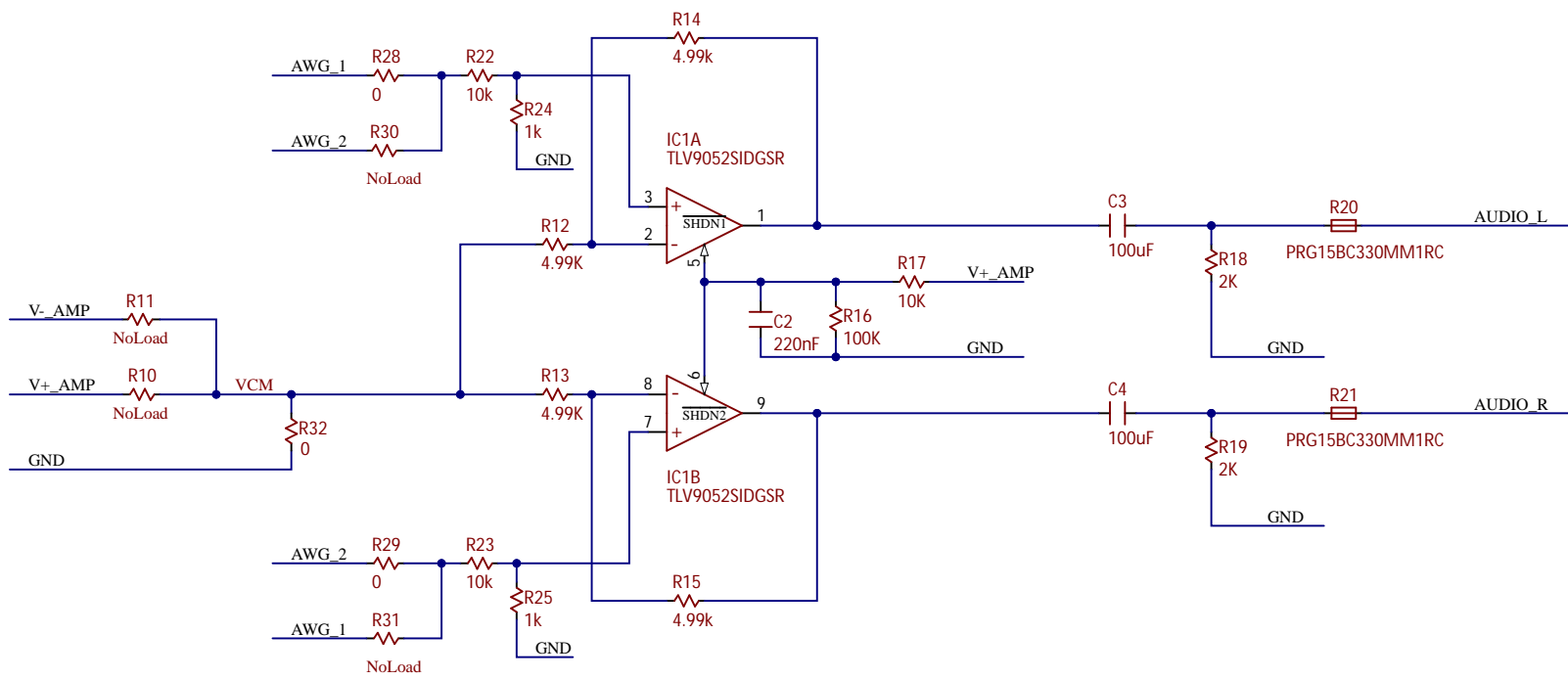
#### Mono 2



### Output



|                                   |            |                |
|-----------------------------------|------------|----------------|
| Title                             |            | Rev            |
| <b>AD Audio Adapter +</b>         |            | <b>C.0</b>     |
|                                   |            | Copyright 2022 |
| Circuit Connectors and Protection |            |                |
| Doc#                              | 410-418    |                |
| Engineer                          | GC         |                |
| Author                            | VVA        |                |
| Date                              | 06/04/2023 |                |
| Sheet#                            | 2 out of 3 |                |



|                    |            |                |  |
|--------------------|------------|----------------|--|
| Title              |            | Rev            |  |
| AD Audio Adapter + |            | C.0            |  |
| Circuit Amplifiers |            | Copyright 2022 |  |
| Doc#               | 410-418    |                |  |
| Engineer           | GC         |                |  |
| Author             | VVA        |                |  |
| Date               | 06/04/2023 |                |  |
| Sheet#             | 3 out of 3 |                |  |



**DIGILENT**<sup>®</sup>  
A National Instruments Company