

# Zmod ADC 1410

# 09/13/2019

## Variant: [No Variations]

# B.1

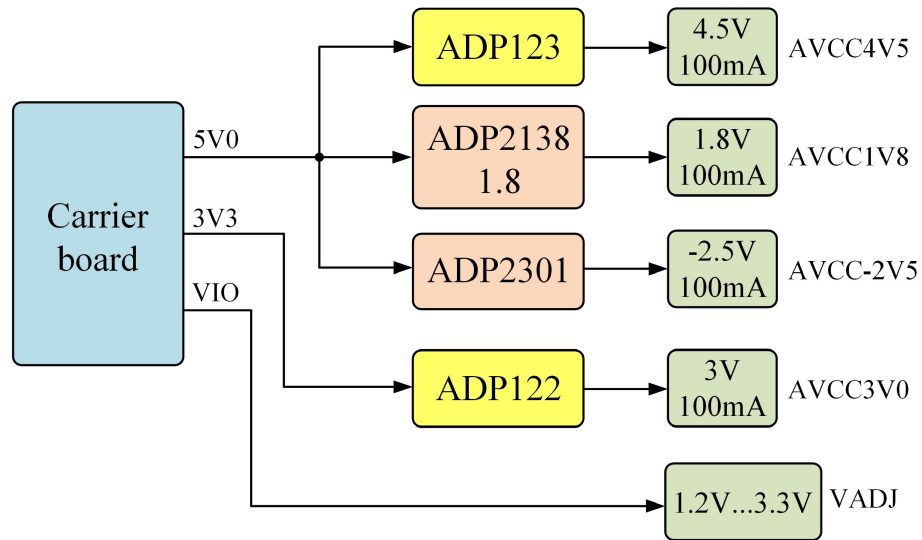
Sheet	Index	Sheet	Index	Sheet	Index
1	COVER PAGE	5	SCOPE REFERENCE	8	POD-MCU & RELAY DRIVERS
2	BLOCK DIAGRAM	6	ADC FOR SCOPE CHANNELS 1,2	9	ANALOG POWER SUPPLIES
3	SCOPE CHANNEL 1	7	SYZYGY CONNECTOR		
4	SCOPE CHANNEL 2				

Title <b>Zmod ADC 1410</b>		Rev <b>B.1</b> Copyright 2019
Circuit	Cover Page	
Doc#	500-396	
Engineer	RV	
Author	DG	
Date	09/13/2019	
Sheet#	1 out of 9	

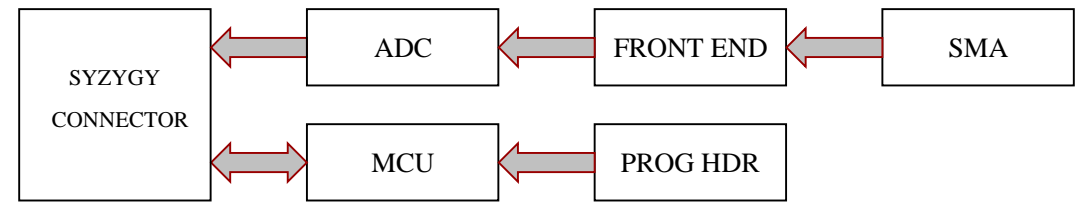


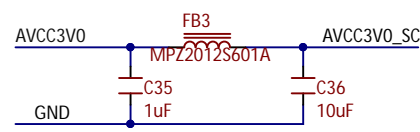
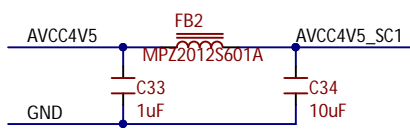
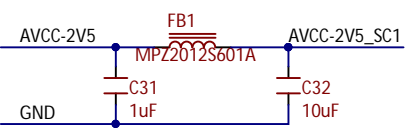
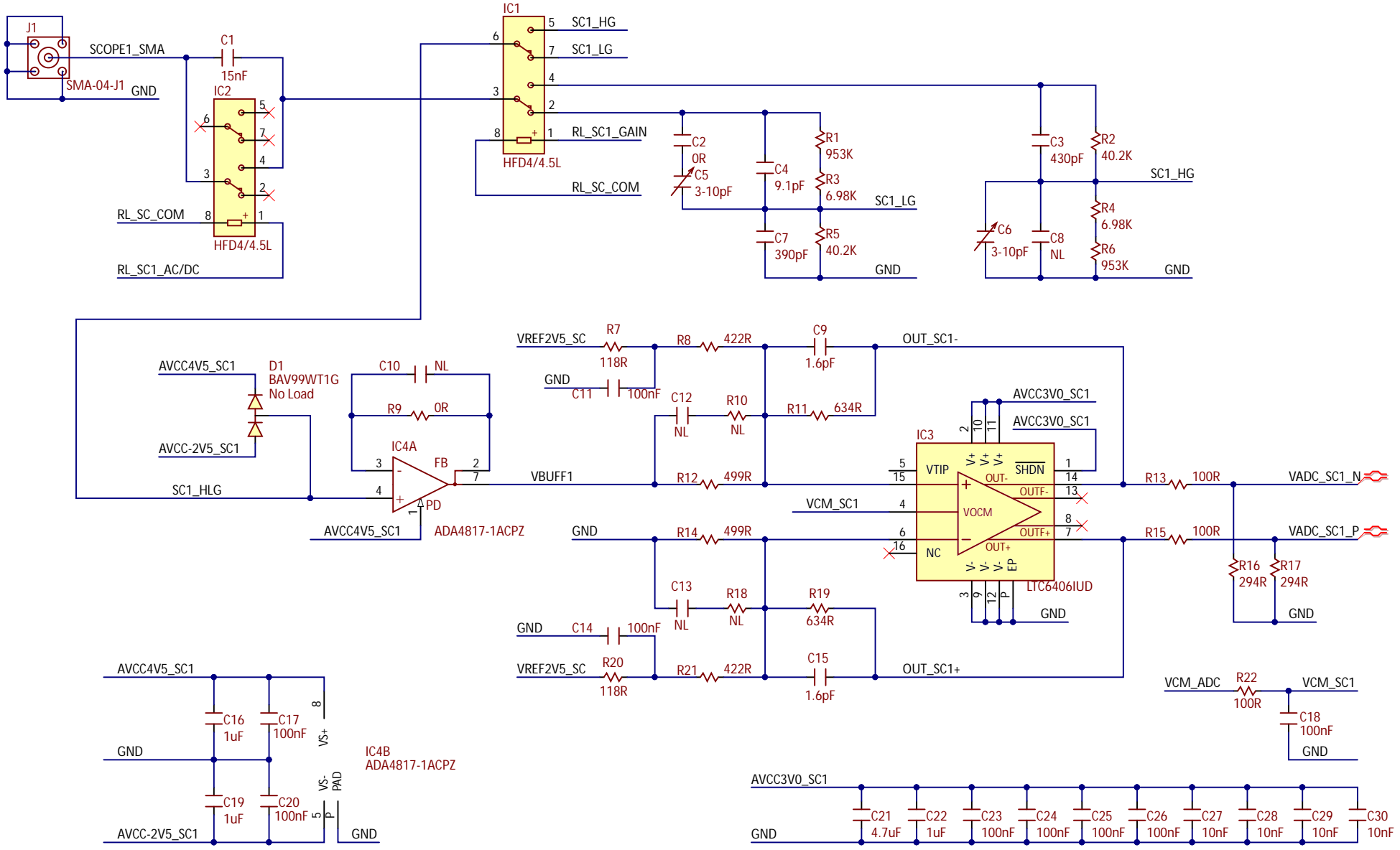
# Zmod ADC 1410

## Power Tree

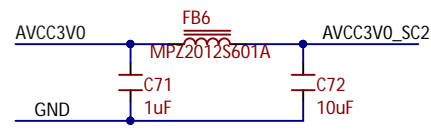
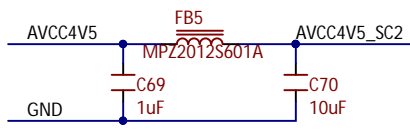
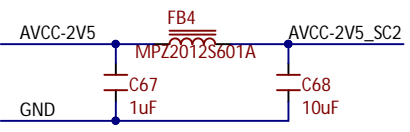
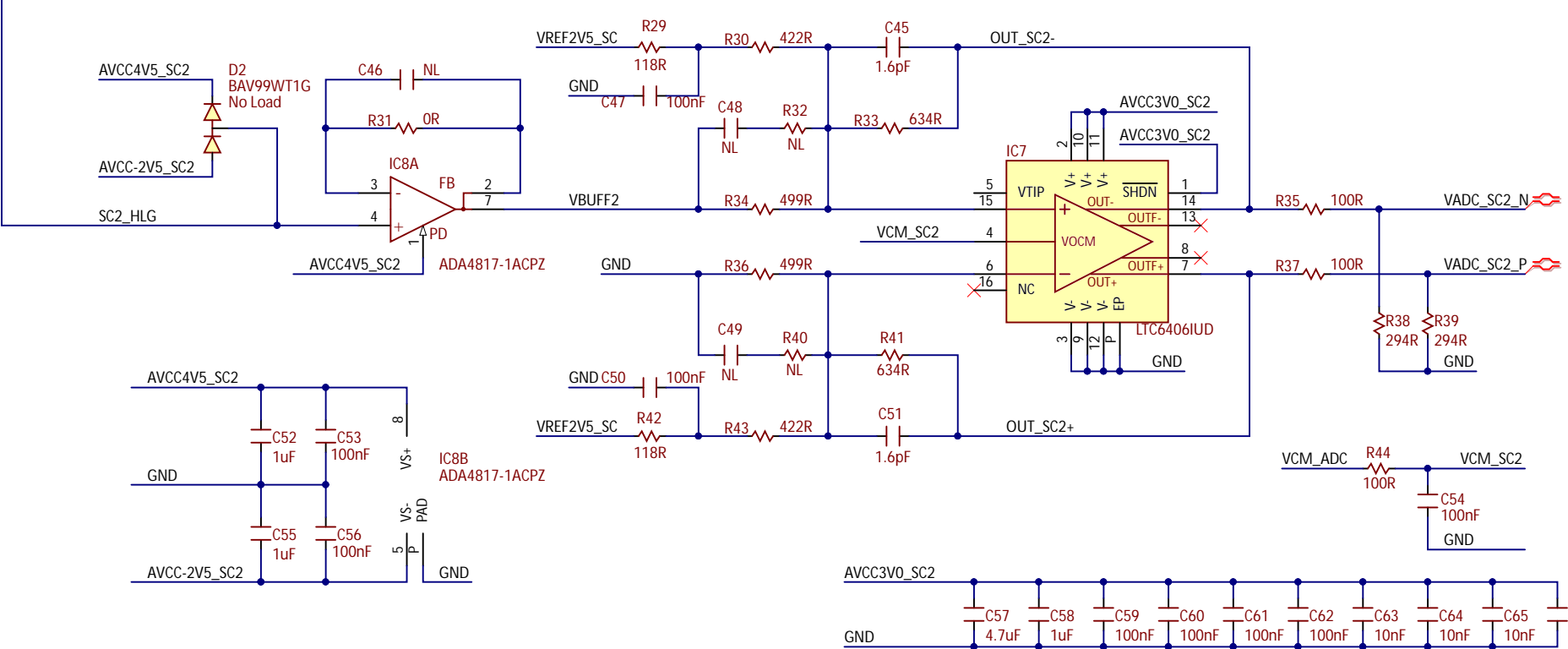
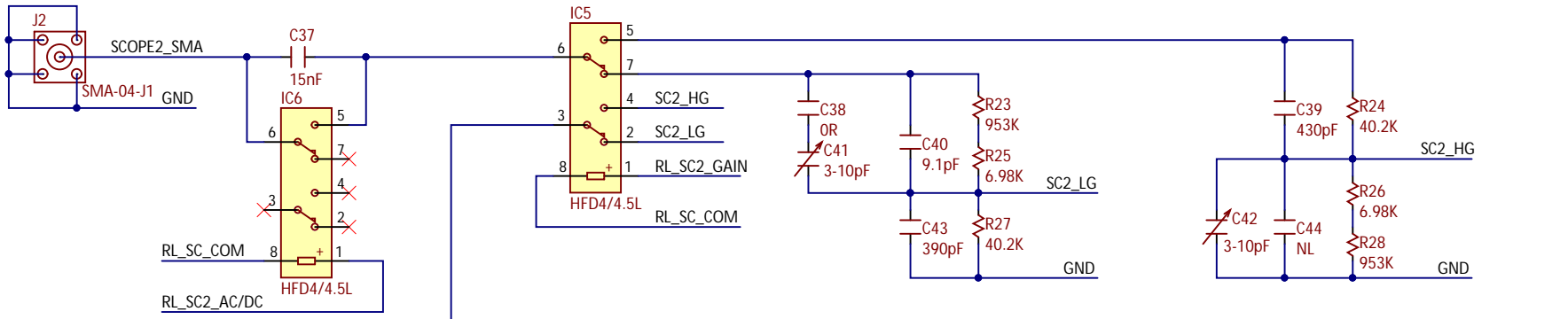


## Block Diagram

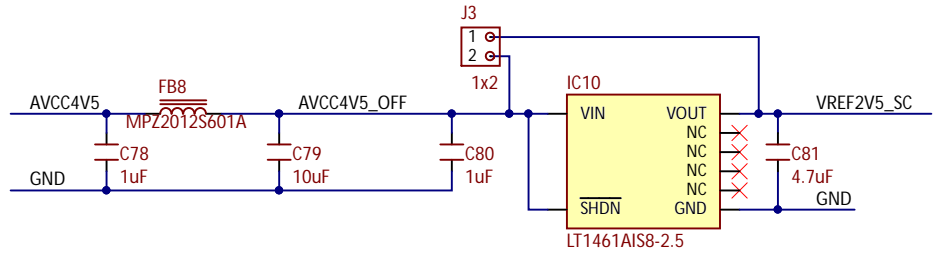
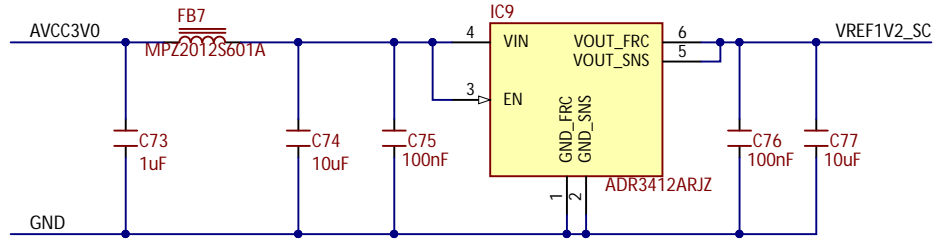




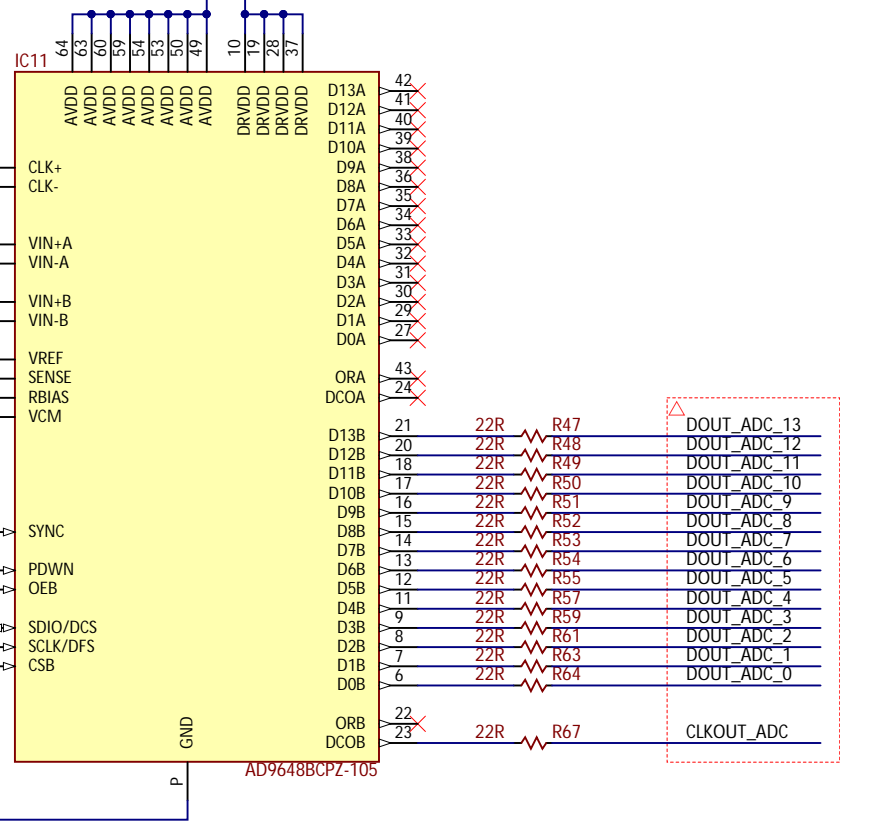
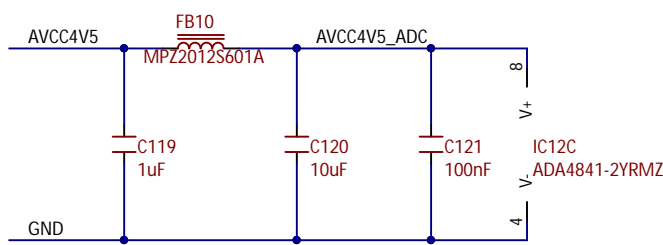
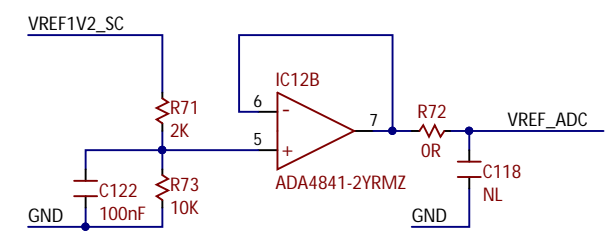
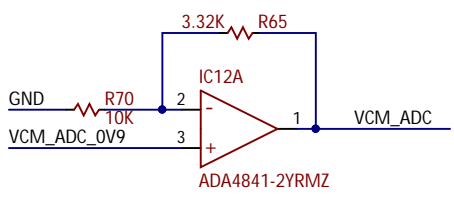
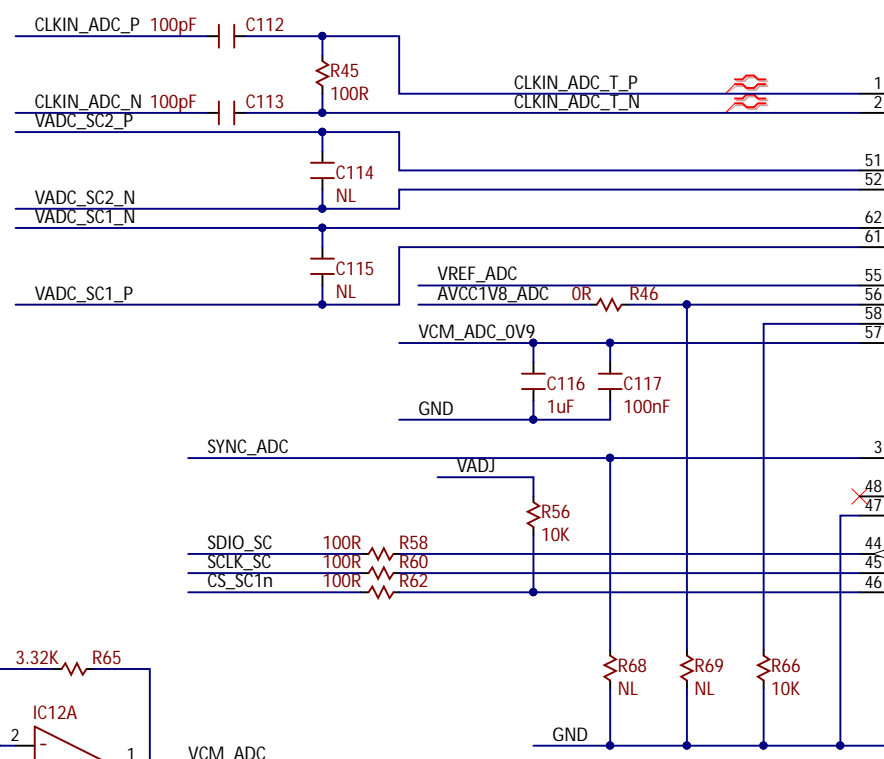
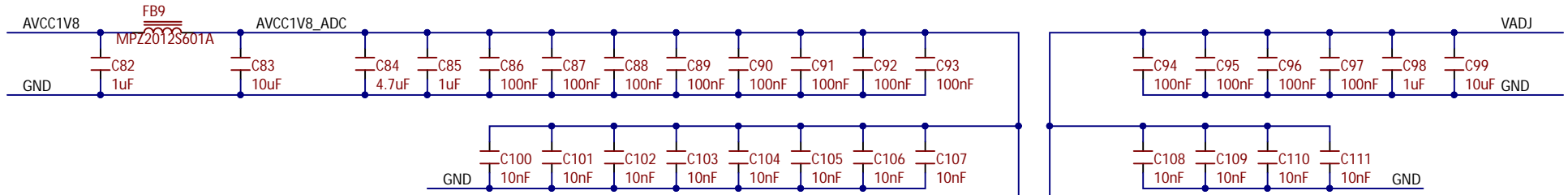
Title		Rev	
<h1>Zmod ADC 1410</h1>		<h1>B.1</h1>	
Circuit		Scope Channel 1	
Doc#	500-396	Copyright 2019	
Engineer	RV	 <b>DIGILENT</b> <sup>®</sup> <i>A National Instruments Company</i>	
Author	DG		
Date	09/13/2019		
Sheet#	3 out of 9		



Title		Rev	
<b>Zmod ADC 1410</b>		<b>B.1</b>	
Circuit		Scope Channel 2	
Doc#		500-396	
Engineer		RV	
Author		DG	
Date		09/13/2019	
Sheet#		4 out of 9	

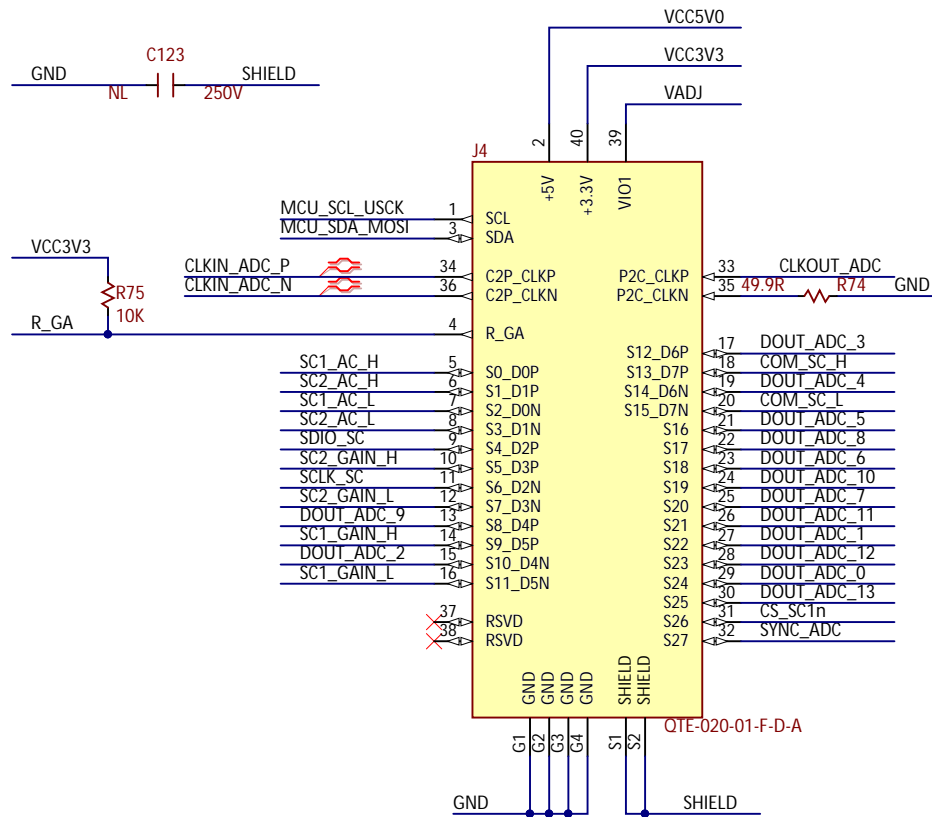


Title <b>Zmod ADC 1410</b>		Rev <b>B.1</b> Copyright 2019
Circuit	Scope Reference	
Doc#	500-396	
Engineer	RV	
Author	DG	
Date	09/13/2019	
Sheet#	5 out of 9	

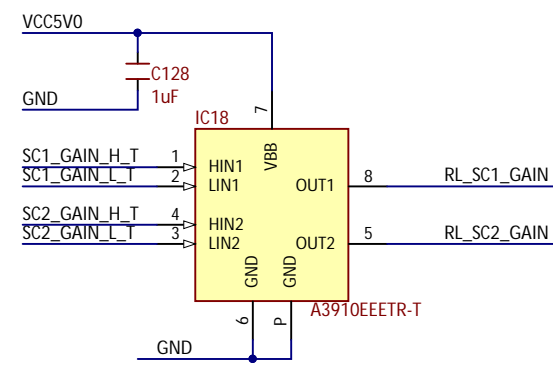
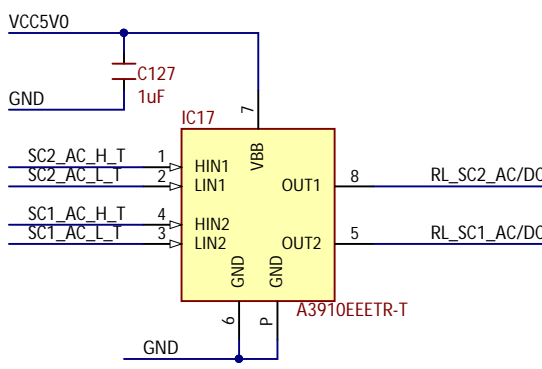
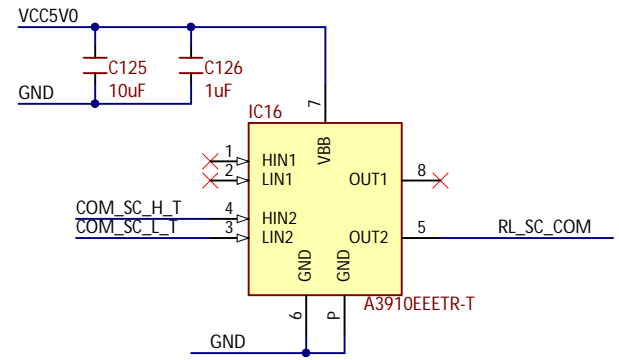
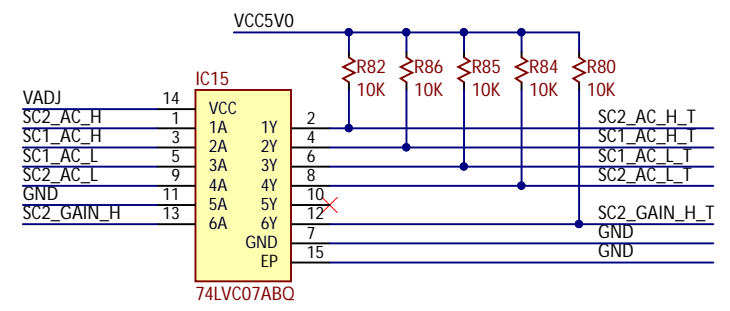
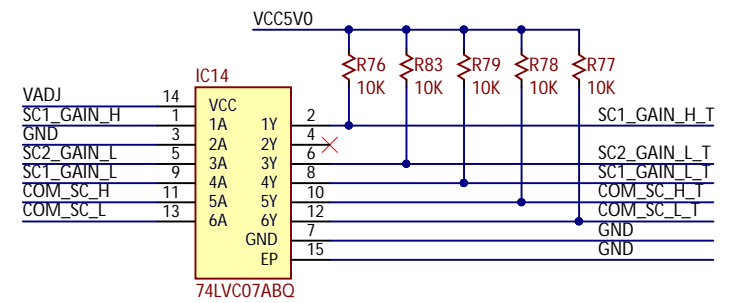
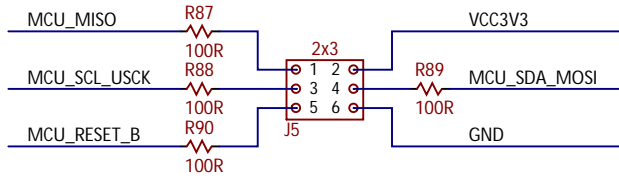
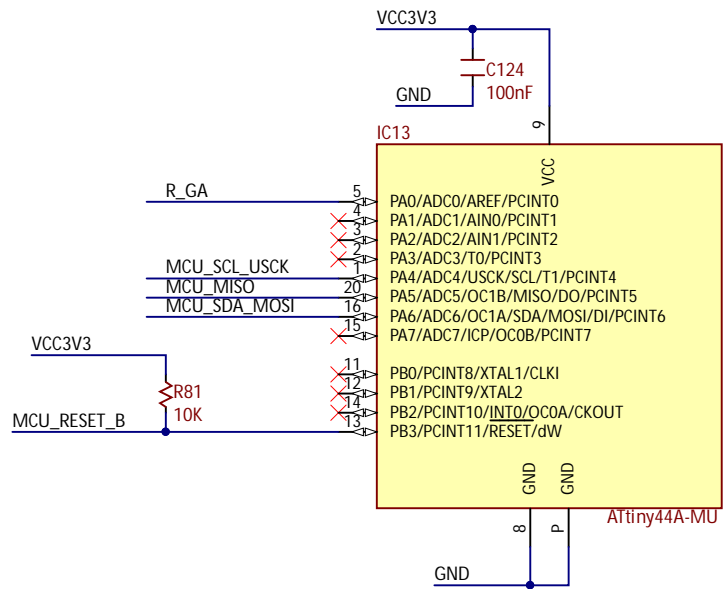


Title		Rev
<b>Zmod ADC 1410</b>		<b>B.1</b>
Doc# 500-396		Copyright 2019
Circuit	ADC for Scope Channels 1,2	
Author	DG	
Date	09/13/2019	
Sheet#	6 out of 9	

**DIGILENT**  
A National Instruments Company



Title <b>Zmod ADC 1410</b>		Rev <b>B.1</b> Copyright 2019
Circuit Szyzygy Connector		 <b>DIGILENT</b> <sup>®</sup> <i>A National Instruments Company</i>
Doc# 500-396		
Engineer RV		
Author DG		
Date 09/13/2019		
Sheet# 7 out of 9		

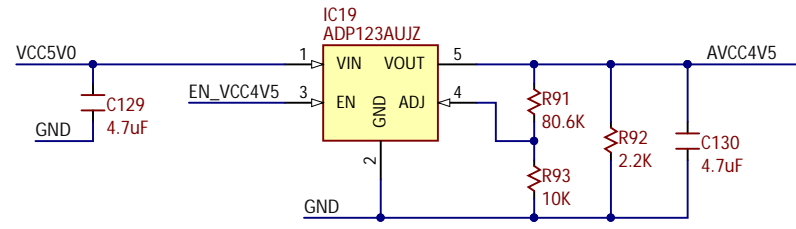


Title		Rev	
<b>Zmod ADC 1410</b>		<b>B.1</b>	
Circuit		Copyright 2019	
Pod-MCU & Relay Drivers			
Doc#	500-396		
Engineer	RV		
Author	DG		
Date	09/13/2019		
Sheet#	8 out of 9		



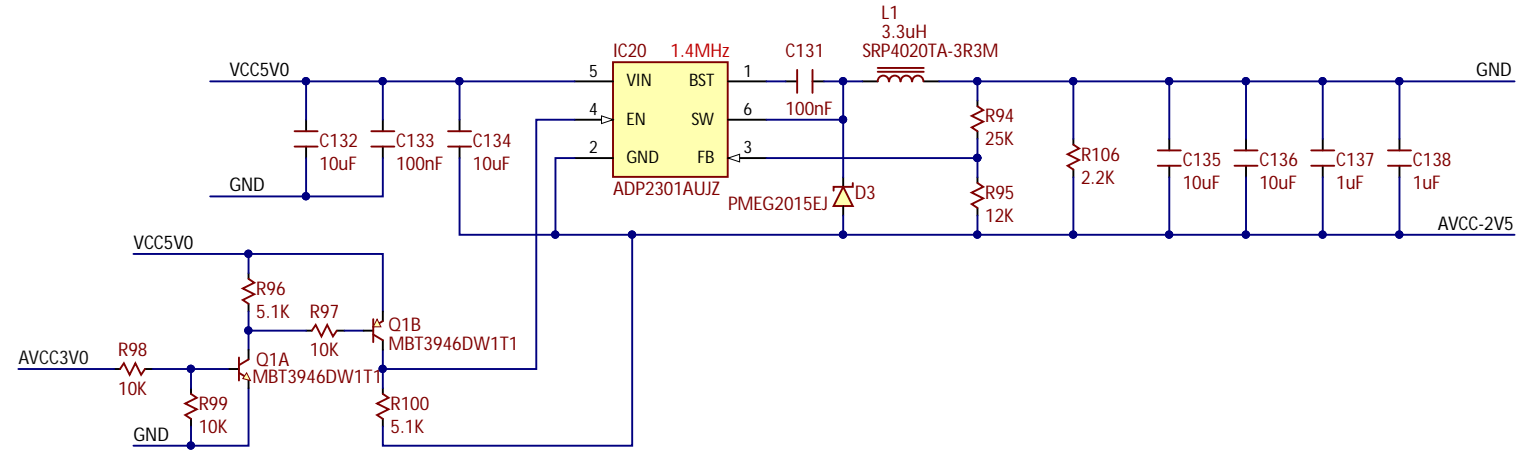
A

A



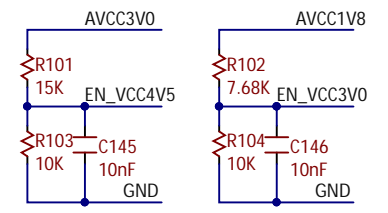
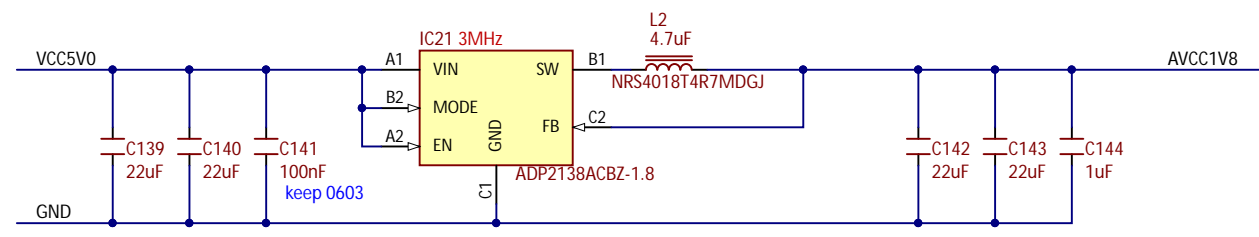
B

B



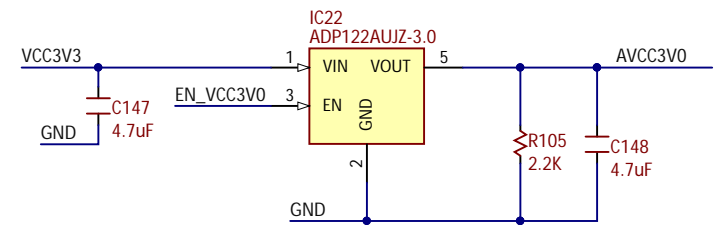
C

C



D

D



Title		Rev
<b>Zmod ADC 1410</b>		<b>B.1</b>
Circuit		Copyright 2019
Analog Power Supplies		
Doc#	500-396	
Engineer	RV	
Author	DG	
Date	09/13/2019	
Sheet#	9 out of 9	

**DIGILENT**  
A National Instruments Company