

# Zmod DAC 1411

# 09/12/2019

## Variant: [No Variations]

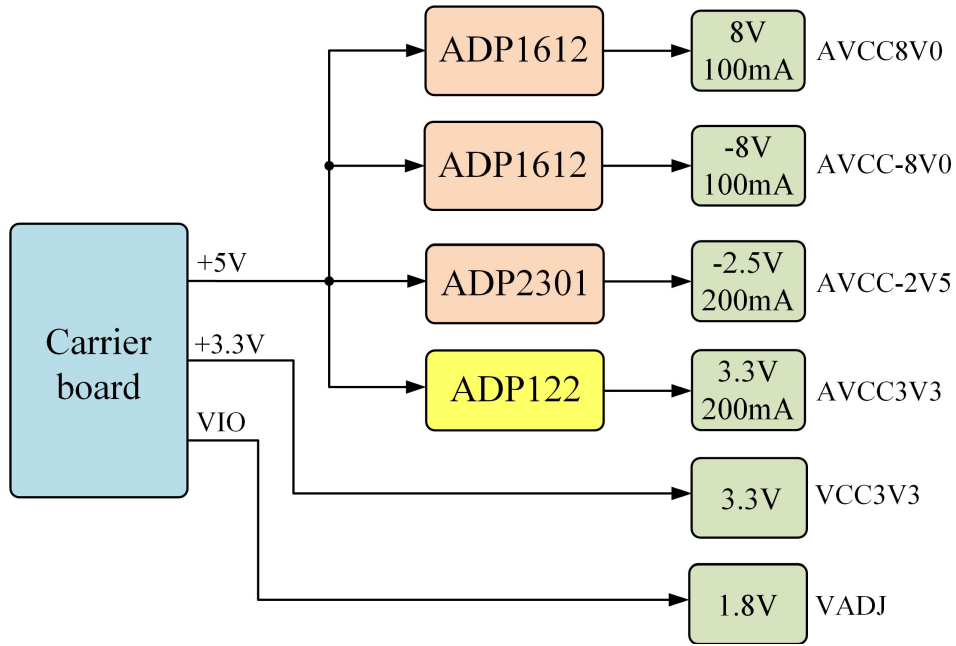
# C.0

Sheet	Index	Sheet	Index	Sheet	Index
.....	.....	.....	.....	.....	.....
1	COVER PAGE	4	POD-MCU	7	ANALOG POWER SUPPLIES
2	BLOCK DIAGRAM	5	AWG DAC	8	ANALOG POWER
3	SYZYGY	6	AWG CHANNELS 1, 2		SUPPLIES II

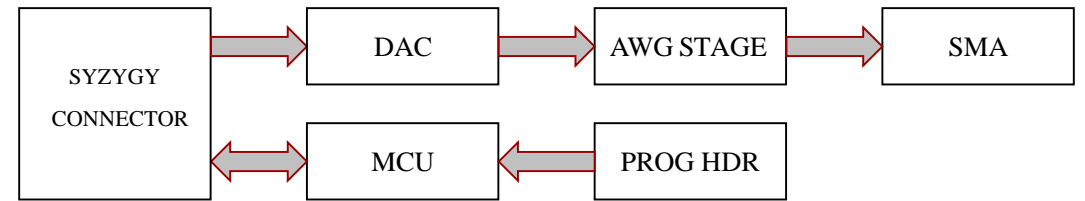
Title <b>Zmod DAC 1411</b>		Rev <b>C.0</b> Copyright 2019
Circuit Cover Page	 <b>DIGILENT</b> <sup>®</sup> <i>A National Instruments Company</i>	
Doc# 500-397		
Engineer RV		
Author DG		
Date 09/12/2019		
Sheet# 1 out of 8		

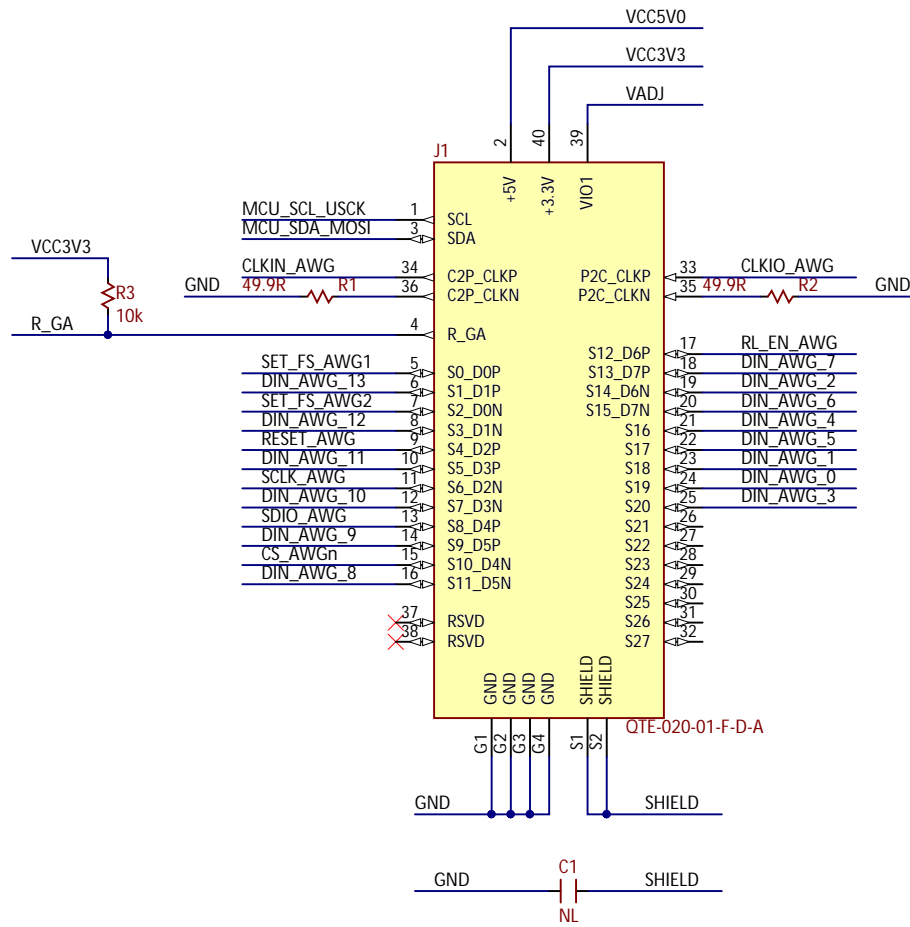
# Zmod DAC 1411

## Power Tree



## Block Diagram

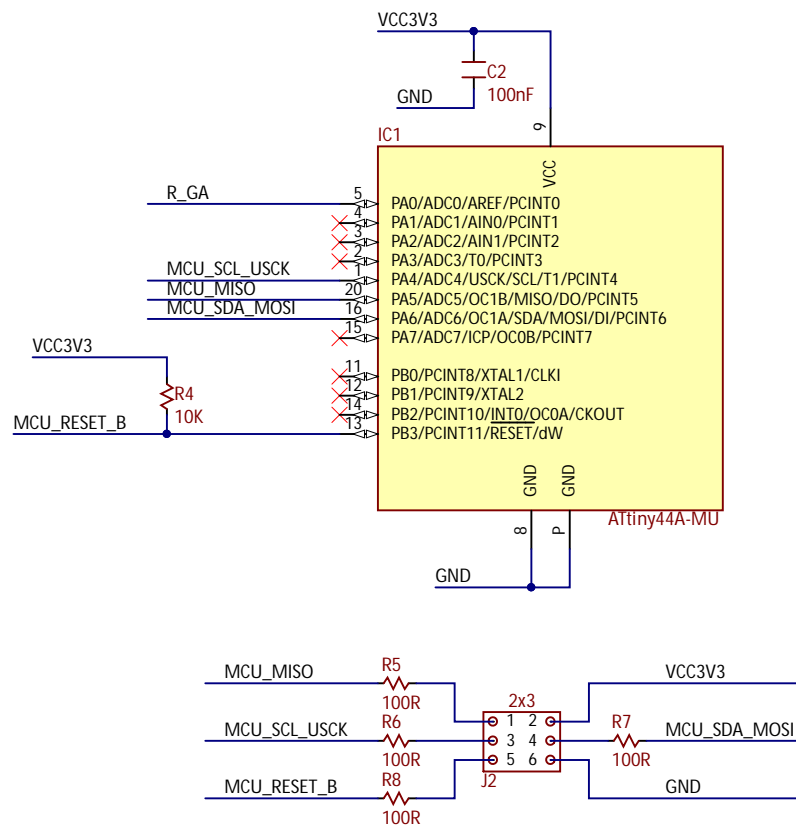




Title <b>Zmod DAC 1411</b>		Rev <b>C.0</b> Copyright 2019
Circuit Syzygy		
Doc# 500-397		
Engineer RV		
Author DG		
Date 09/12/2019		
Sheet# 3 out of 8		



**DIGILENT**  
A National Instruments Company



Title <b>Zmod DAC 1411</b>		Rev <b>C.0</b> Copyright 2019
Circuit Pod-MCU		
Doc# 500-397		
Engineer RV		
Author DG		
Date 09/12/2019		
Sheet# 4 out of 8		



A

A

B

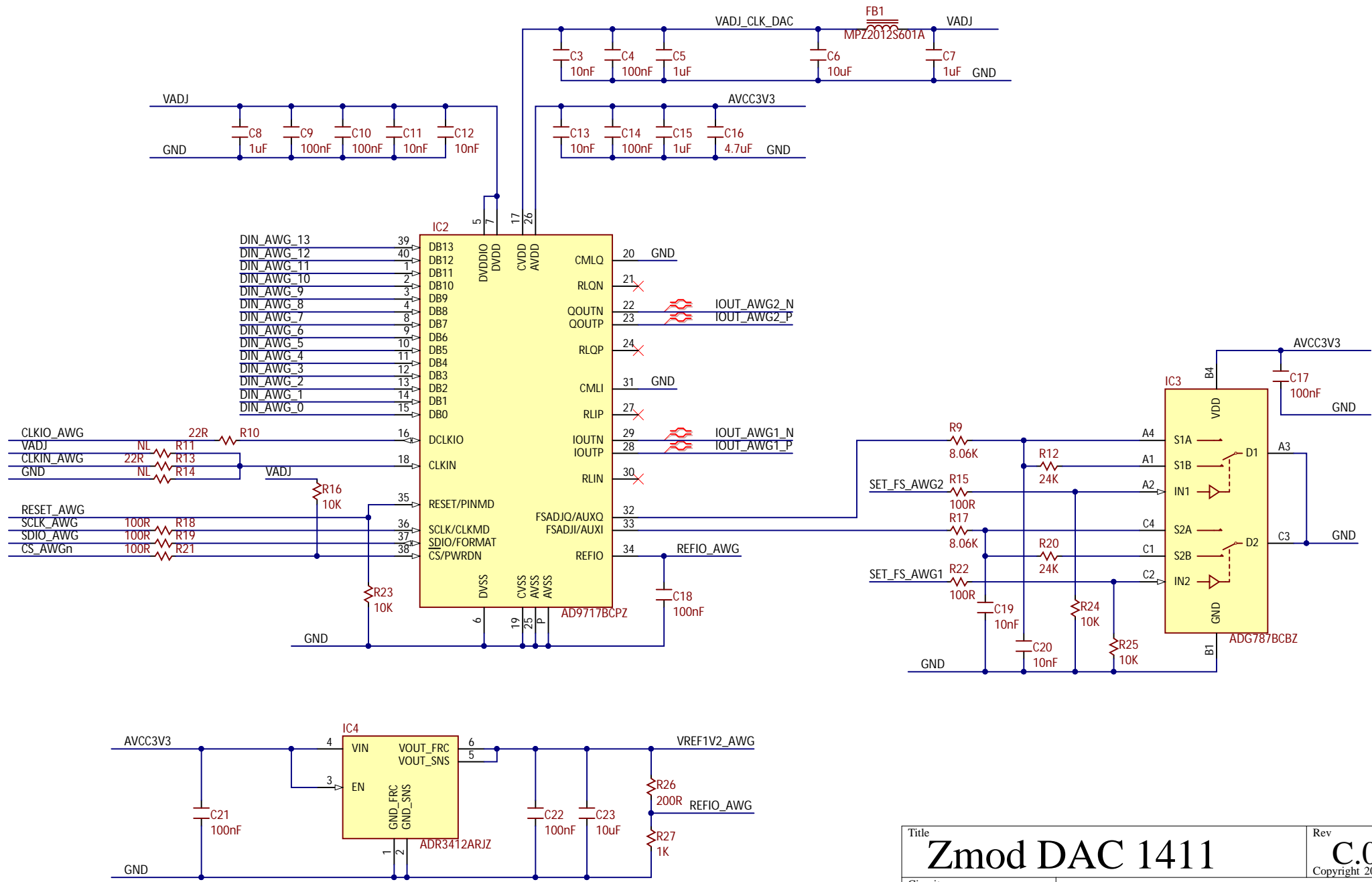
B

C

C

D

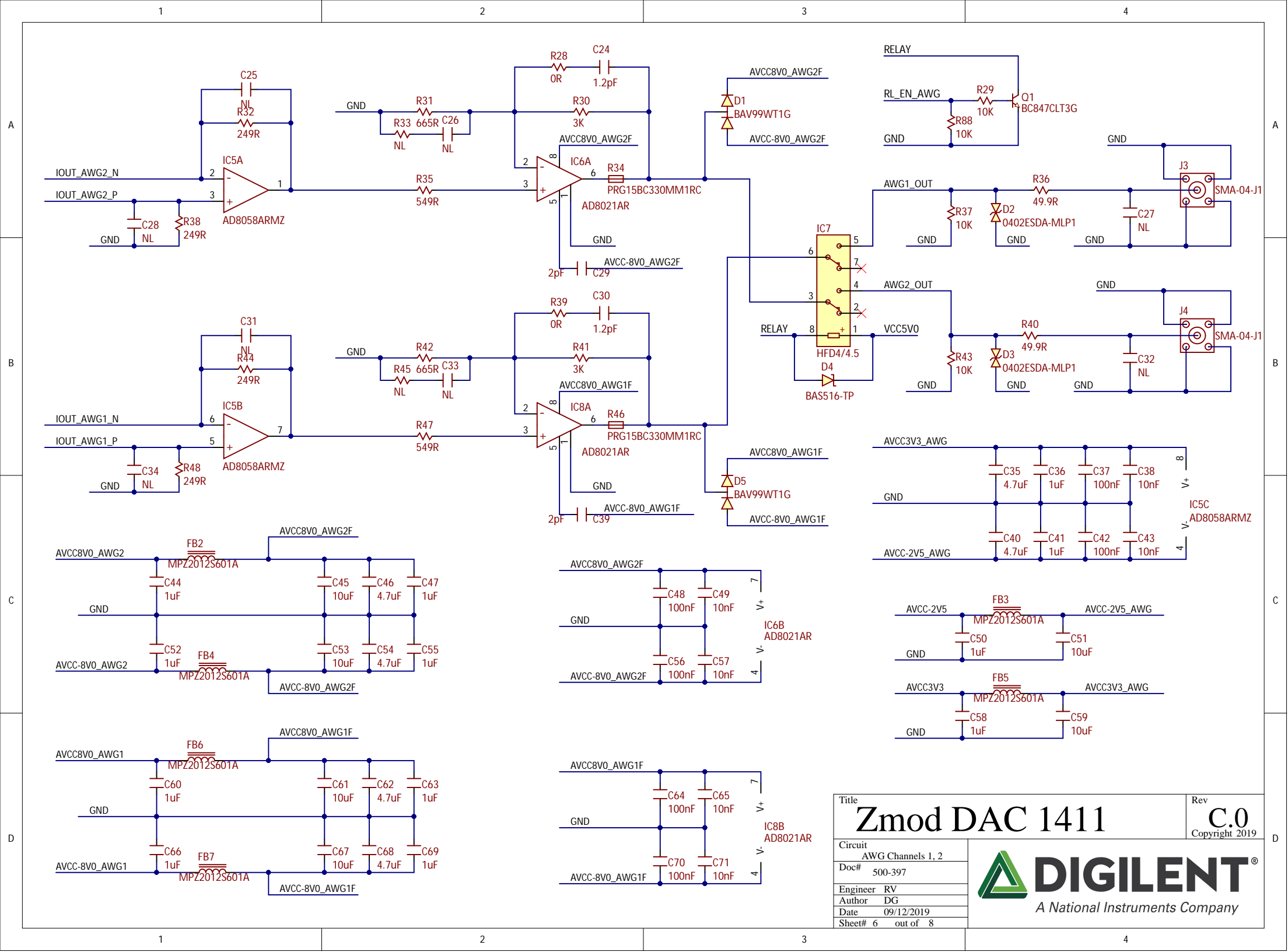
D



Title		Rev
<b>Zmod DAC 1411</b>		<b>C.0</b>
		Copyright 2019
Circuit	AWG DAC	
Doc#	500-397	
Engineer	RV	
Author	DG	
Date	09/12/2019	
Sheet#	5 out of 8	



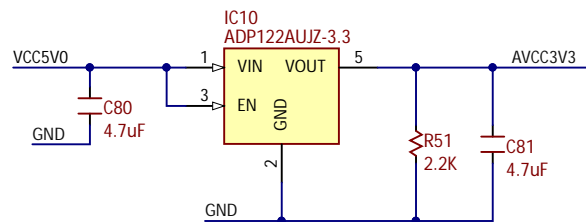
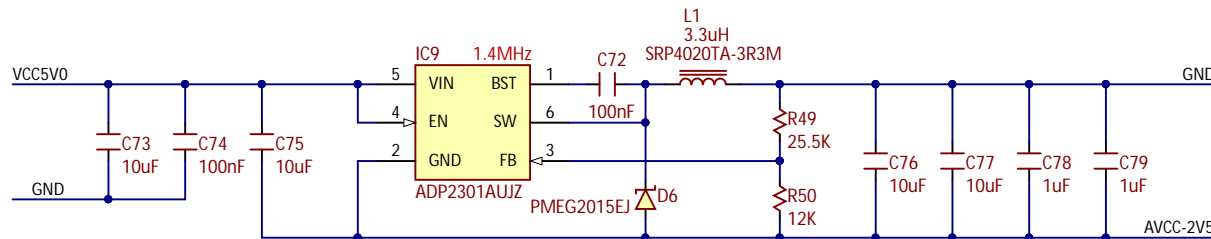
**DIGILENT**<sup>®</sup>  
A National Instruments Company



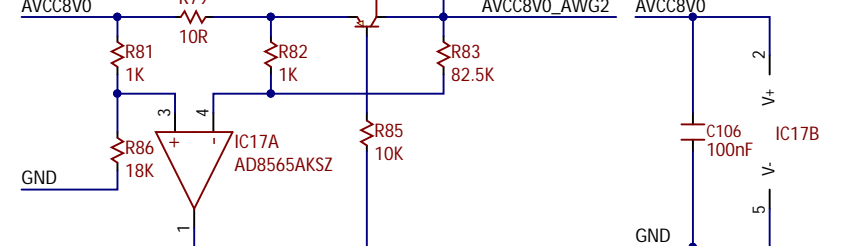
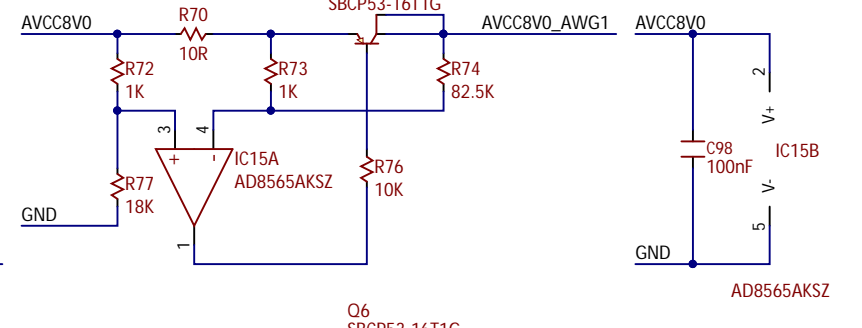
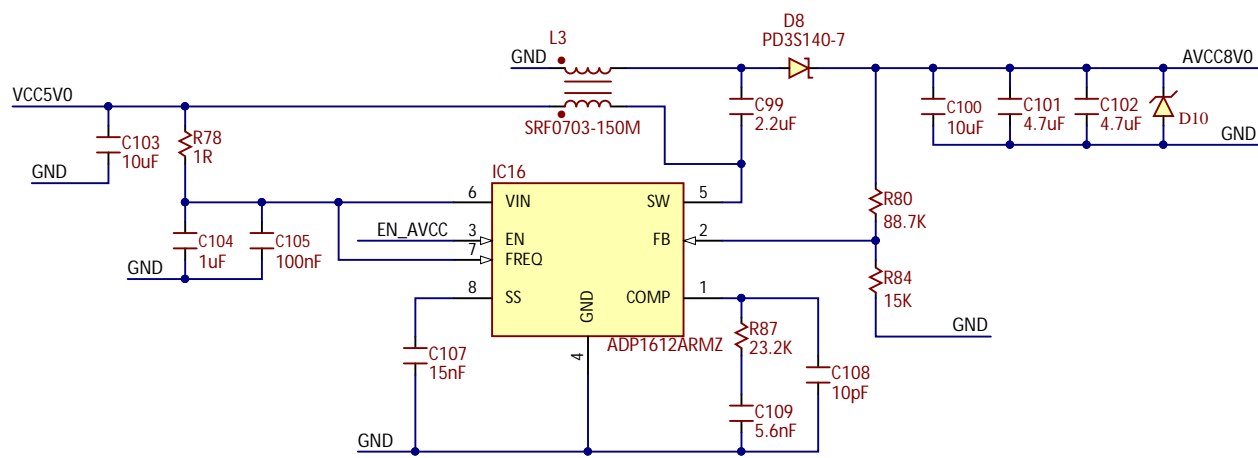
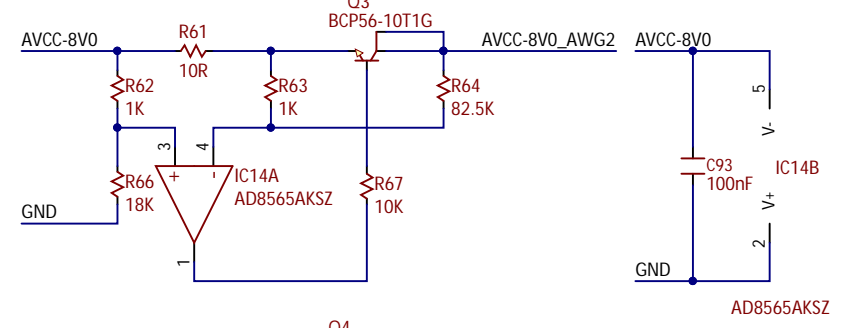
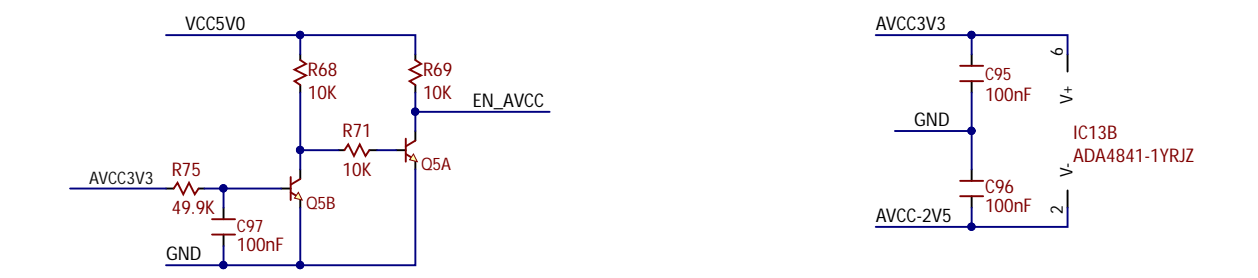
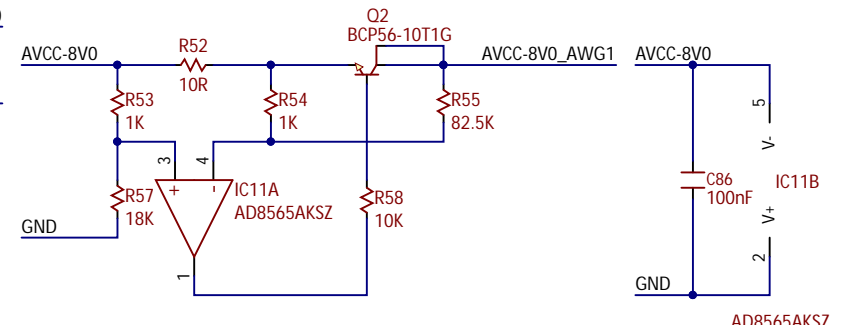
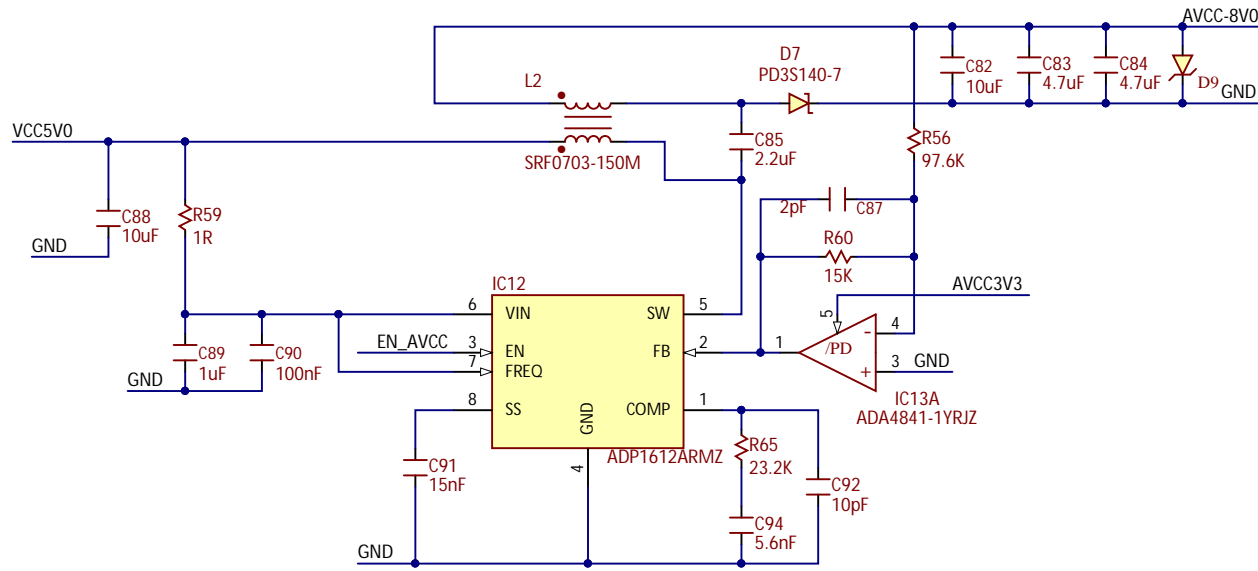
Title		Rev
<b>Zmod DAC 1411</b>		<b>C.0</b>
Circuit		Copyright 2019
AWG Channels 1, 2		
Doc#	500-397	
Engineer	RV	
Author	DG	
Date	09/12/2019	
Sheet#	6 out of 8	



**DIGILENT**<sup>®</sup>  
A National Instruments Company



Title <b>Zmod DAC 1411</b>		Rev <b>C.0</b> Copyright 2019
Circuit Analog Power Supplies		 <b>DIGILENT</b> <sup>®</sup> <i>A National Instruments Company</i>
Doc# 500-397		
Engineer RV		
Author DG		
Date 09/12/2019		
Sheet# 7 out of 8		



Title		Rev	
<h1>Zmod DAC 1411</h1>		C.0	
		Copyright 2019	
Circuit		Analog Power Supplies II	
Doc#		500-397	
Engineer		RV	
Author		DG	
Date		09/12/2019	
Sheet#		8 out of 8	



**DIGILENT**  
A National Instruments Company