

# AC Current Probe Model JM800A



The Model JM800A is a high performance AC current probe for higher currents. Excellent transformation and low phase shift, plus a broad frequency response, permit accurate measurements of current and power. The high quality magnetic core and uniform windings provide for accurate measurements up to 1500AAC. The "squared" jaw permits multiple conductor or bus bar positioning. The Model JM800A provides excellent True RMS capabilities and reliable signal reproduction.

The Model JM800A works as a traditional current transformer providing current outputs (mA) over a broad range of transformation ratios. The Model JM800A is designed for use on DMMs, power and harmonic meters, recorders or instruments with AC current ranges.

## Features

- Nominal range: 1 to 1000AAC (continuous cycle for the full temperature range)
- Transformation ratio: 1000:1
- Output: 1mA/A
- Designed for use on DMMs, power and harmonic meters, recorders or instruments with AC current ranges

## Applications

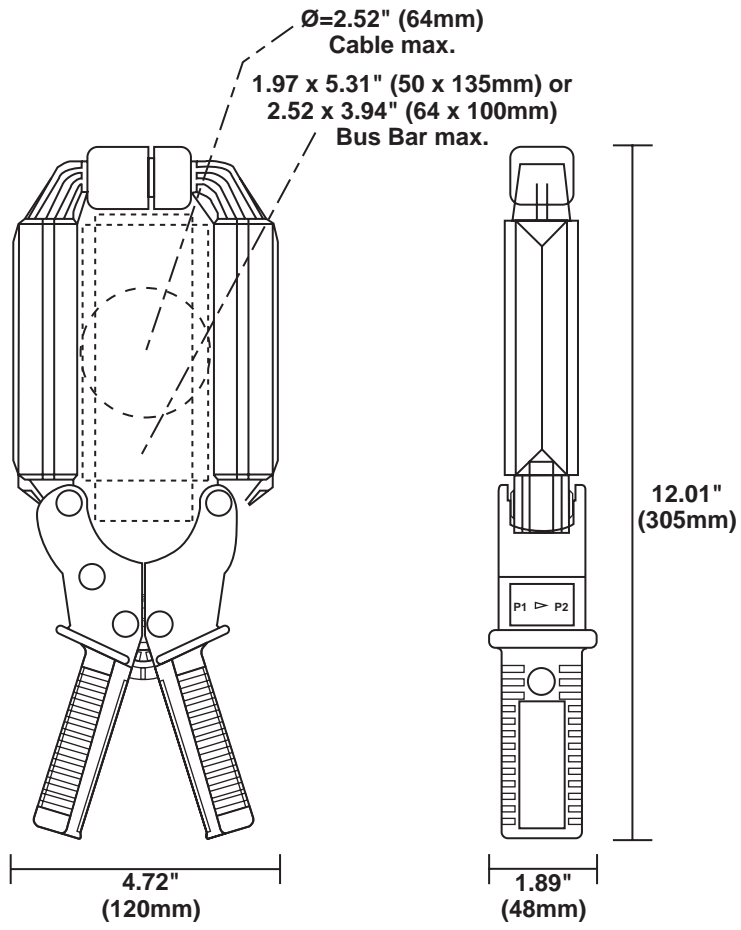
- Electrical utility
- HVAC
- Industrial maintenance
- Laboratory
- Plant maintenance

## Specifications

MODEL	JM800A
<b>ELECTRICAL</b>	
Nominal Range	1000A
Measurement Range	1 to 1500A
Transformation Ratio	1000:1
Output Signal	1mAac/Aac (1A @ 1000A)
Accuracy (1000A Range)	
50A	2% of Reading
200A	1.5% of Reading
1000A	1% of Reading
Phase Shift (1000A Range)	
50A	2°
200A	1.5°
1000A	1°
Overload	1200A permanent; 1500A for 5 min
Frequency Range	30Hz to 5kHz
Load Impedance	≤5Ω
Working/Common Mode Voltage	600VAC
Output Termination	5 ft Lead
<b>MECHANICAL</b>	
Operating Temperature	14° to 122°F (-10° to 50°C)
Storage Temperature	-13° to 176°F (-25° to 80°C)
Jaw Opening	3.54" (90mm)
Maximum Conductor Size	Cable: 2.52" Ø max (64mm); Bus bar: 1.97 x 5.31" (50 x 135mm); 2.52 x 3.94" (64 x 100mm)
Dimensions	4.72 x 12.40 x 1.89" (120 x 315 x 48mm)
Weight	2.65 lbs (1200g)
Polycarbonate Material	Handles: 10% fiberglass charged polycarbonate UL94 V0; Jaws: ABS UL V2
<b>SAFETY</b>	
Electrical	EN 61010-2-32
CE Mark	Yes

Note: Reference conditions:

23°C ± 3°K, 20 to 85% RH, 48 to 65Hz, external magnetic field < 40A/m, no DC component, no external current carrying conductor, test sample centered. Load impedance 0.5Ω.



**Leads:**  
 Double/reinforced  
 5 ft (1.5m) lead  
 with safety 4mm  
 banana plug

ORDERING INFORMATION	CATALOG NO.
<b>AC Current Probe Model JM800A</b> (Lead – 1mA/A – 1000A max) .....	<b>Cat. #2110.79</b>
<b>Accessories (Optional)</b>	
Pair, safety current leads (5 ft retractable, rated 250V) .....	Cat. #100.319
Banana plug adaptor (to nonrecessed plug) .....	Cat. #1017.45
Leads, set of 2, 5 ft safety (1000V) .....	Cat. #2111.29
Banana/BNC Connector XF-SS (4mm banana plug) .....	Cat. #2111.32
Leads No. 211 for probe 5 A series (5 ft, rated 250V) .....	Cat. #2950.06

## Contact Us

### United States & Canada:

Chauvin Arnoux®, Inc.  
d.b.a. AEMC® Instruments  
200 Foxborough Blvd.  
Foxborough, MA 02035 USA  
(508) 698-2115 • Fax (508) 698-2118  
www.aemc.com



**Customer Support – for placing an order, obtaining price & delivery:**  
customerservice@aemc.com

**Sales Department – for general sales information:**  
sales@aemc.com

**Repair and Calibration Service – for information on repair & calibration, obtaining a user manual:**  
repair@aemc.com

**Technical and Product Application Support – for technical and application support:**  
techinfo@aemc.com

**Webmaster – for information regarding www.aemc.com:**  
webmaster@aemc.com

### South America, Central America, Mexico, Caribbean, Australia & New Zealand:

Chauvin Arnoux®, Inc.  
d.b.a. AEMC® Instruments  
15 Faraday Drive  
Dover, NH 03820 USA  
(978) 526-7667 • Fax (978) 526-7605  
export@aemc.com  
www.aemc.com

### All other countries:

Chauvin Arnoux SCA  
190, rue Championnet  
75876 Paris Cedex 18, France  
33 1 44 85 45 28 • Fax 33 1 46 27 73 89  
info@chauvin-arnoux.com  
www.chauvin-arnoux.com