

# AC Current Probe Model MN210



The Model MN210 is the latest in compact AC current probes. It is designed to meet the most stringent demands in industry and electrical contracting. Model MN210 meets EN 61010, 600V, Cat. III safety standards and is CE Marked and UL approved.

The Model MN210 has a 0.78" (20mm) jaw opening and accommodate conductors up to 250MCM. The unique hooked jaw design facilitates clamping and hooking onto conductors. Polycarbonate materials and ultrasonic welding are used throughout to ensure ruggedness and overall lasting reliability.

The Model MN210 uses tape-wound cores to further improve its high and low end performance. Rated at 200Arms it has a measurement range to 240Arms.

## Features

- Small, compact size
- Measurement range of 0.5 to 240AAC
- Large jaw opening accommodates conductors up to 250MCM
- Designed for DMMs, loggers, recorders and oscilloscopes
- 40Hz to 10kHz response
- 1mAac/Aac output signals
- Conforms to EN 61010, 600V Cat. III safety standard
- CE Mark
- UL approved

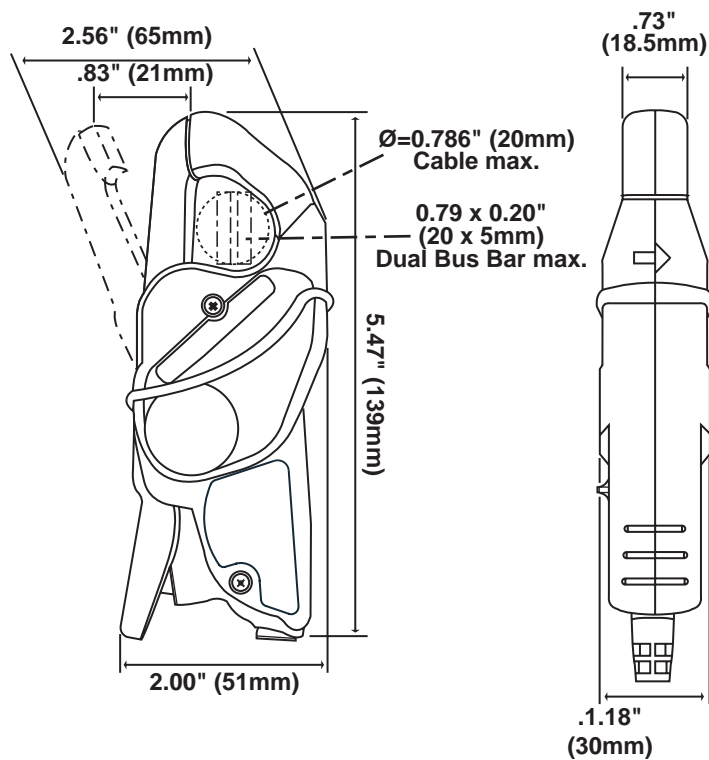
## Applications

- Measuring in breaker panels
- Industrial loads
- HVAC
- Residential and commercial sites
- Data logging/recording

# Specifications

<b>MODEL</b>	<b>MN210</b>
<b>ELECTRICAL</b>	
Nominal Range	200A
Measurement Range	0.5 to 240A
Transformation Ratio	1000: 1
Output Signal	1mA/A on 1Ω
Accuracy (200A Range)	
0.5 to 10A	3.0% of Reading ± 0.5A
10 to 40A	2.5% of Reading ± 0.5A
40 to 100A	2.0% of Reading ± 0.5A
100 to 240A	1.0% of Reading ± 0.5A
Phase Shift (200A Range)	
0.5 to 10A	Not Specified
10 to 40A	≤5.0°
40 to 100A	≤3.0°
100 to 240A	≤2.5°
Overload	240A for 10 min ON, 30 min OFF
Frequency Range	40 to 10kHz
Limit Operating Conditions	200A permanently to 1kHz; Derating above 3kHz: 200A x (1/0.333F), F in kHz
Crest Factor	3 @ 200Arms with an error (due to CF) of 4%
Working/Common Mode Voltage	600Vrms
Output Termination	Jack
<b>MECHANICAL</b>	
Operating Temperature	14° to 131°F (-10° to 55°C)
Storage Temperature	-40° to 158°F (-40° to 70°C)
Operating Relative Humidity	10 to 35°C 85% RH (without roll-off above 35°C)
Jaw Opening	0.83" (21mm)
Maximum Conductor Size	0.78" (20mm)
Dimensions	5.47 x 2.00 x 1.18" (139 x 51 x 30mm)
Weight	6.5 oz (180g)
Polycarbonate Material	Polycarbonate with fiberglass charge, UL94 V0
<b>SAFETY</b>	
Electrical	EN 61010-2-32
CE Mark	Yes

Note: Reference conditions: 20 to 26°C, 20 to 75% RH, external magnetic field <40A/m, 48 to 65Hz sine wave, distortion factor less than 1%, no DC component, no external current carrying conductor, test sample centered. Load impedance > 1Ω



**Jacks:**  
Two standard safety banana jacks (4mm)

**ORDERING INFORMATION**

**CATALOG NO.**

AC Current Probe Model MN210 (Jack – 1mA/A – 240A max) . . . . .	Cat. #2115.72
Includes a user manual	
<b>Accessories (Optional)</b>	
Leads, set of 2, 5 ft safety (1000V) . . . . .	Cat. #2111.29
Banana plug adaptor (Safety Leads to nonrecessed plug) . . . . .	Cat. #1017.45
Banana (Female) – BNC (Male) Adaptor . . . . .	Cat. #2118.46

## Contact Us

### United States & Canada:

Chauvin Arnoux<sup>®</sup>, Inc.  
d.b.a. AEMC<sup>®</sup> Instruments  
200 Foxborough Blvd.  
Foxborough, MA 02035 USA  
(508) 698-2115 • Fax (508) 698-2118  
[www.aemc.com](http://www.aemc.com)

**Customer Support – for placing an order, obtaining price & delivery:**  
[customerservice@aemc.com](mailto:customerservice@aemc.com)

**Sales Department – for general sales information:**  
[sales@aemc.com](mailto:sales@aemc.com)

**Repair and Calibration Service – for information on repair & calibration, obtaining a user manual:**  
[repair@aemc.com](mailto:repair@aemc.com)

**Technical and Product Application Support – for technical and application support:**  
[techinfo@aemc.com](mailto:techinfo@aemc.com)

**Webmaster – for information regarding [www.aemc.com](http://www.aemc.com):**  
[webmaster@aemc.com](mailto:webmaster@aemc.com)

### South America, Central America, Mexico, Caribbean, Australia & New Zealand:

Chauvin Arnoux<sup>®</sup>, Inc.  
d.b.a. AEMC<sup>®</sup> Instruments  
15 Faraday Drive  
Dover, NH 03820 USA  
(978) 526-7667 • Fax (978) 526-7605  
[export@aemc.com](mailto:export@aemc.com)  
[www.aemc.com](http://www.aemc.com)

### All other countries:

Chauvin Arnoux SCA  
190, rue Championnet  
75876 Paris Cedex 18, France  
33 1 44 85 45 28 • Fax 33 1 46 27 73 89  
[info@chauvin-arnoux.com](mailto:info@chauvin-arnoux.com)  
[www.chauvin-arnoux.com](http://www.chauvin-arnoux.com)