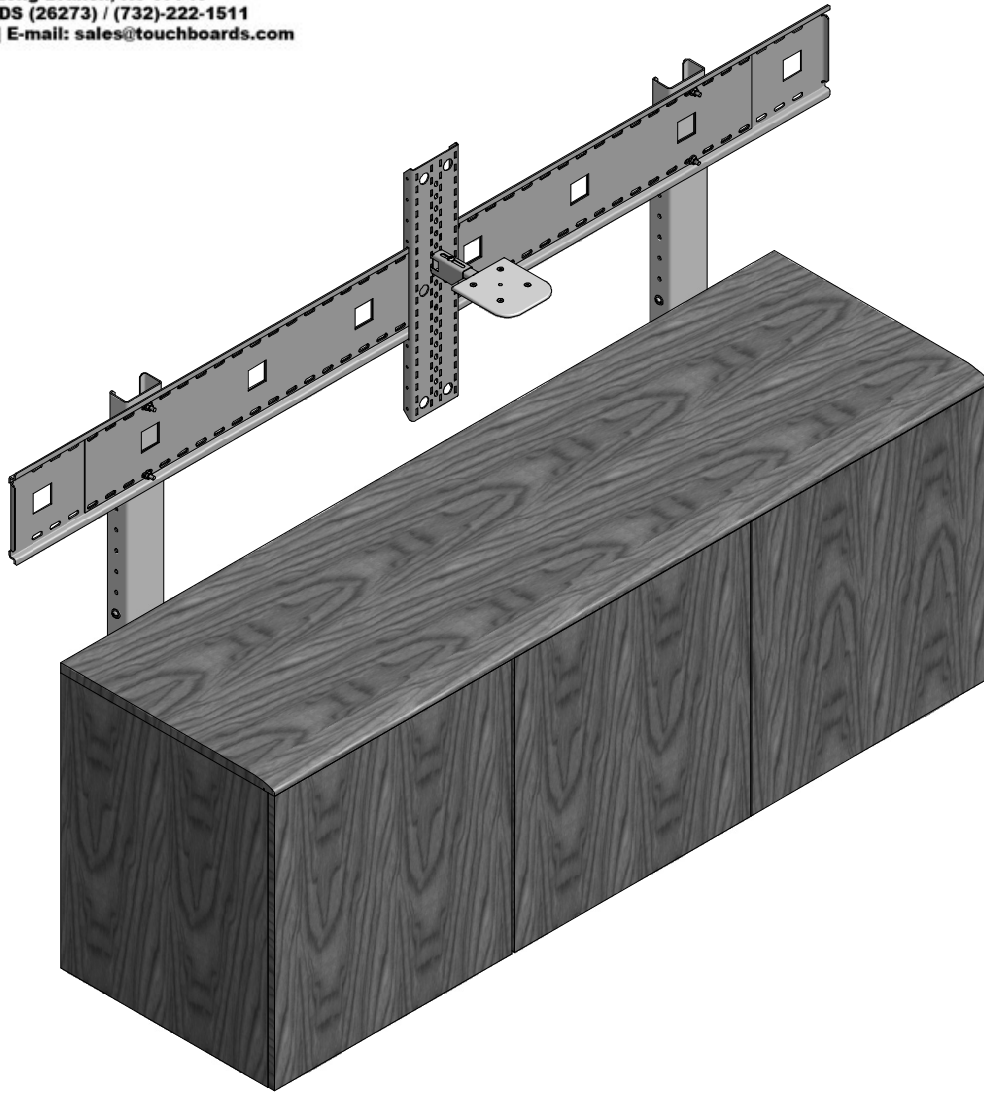


# Touchboards

205 Westwood Ave, Long Branch, NJ 07740  
Phone: 866-94 BOARDS (26273) / (732)-222-1511  
Fax: (732)-222-7088 | E-mail: sales@touchboards.com



# CREDENZA

## ASSEMBLY MANUAL

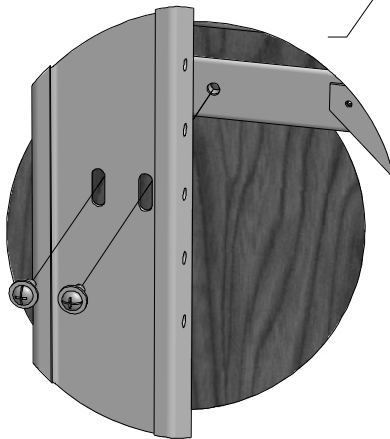
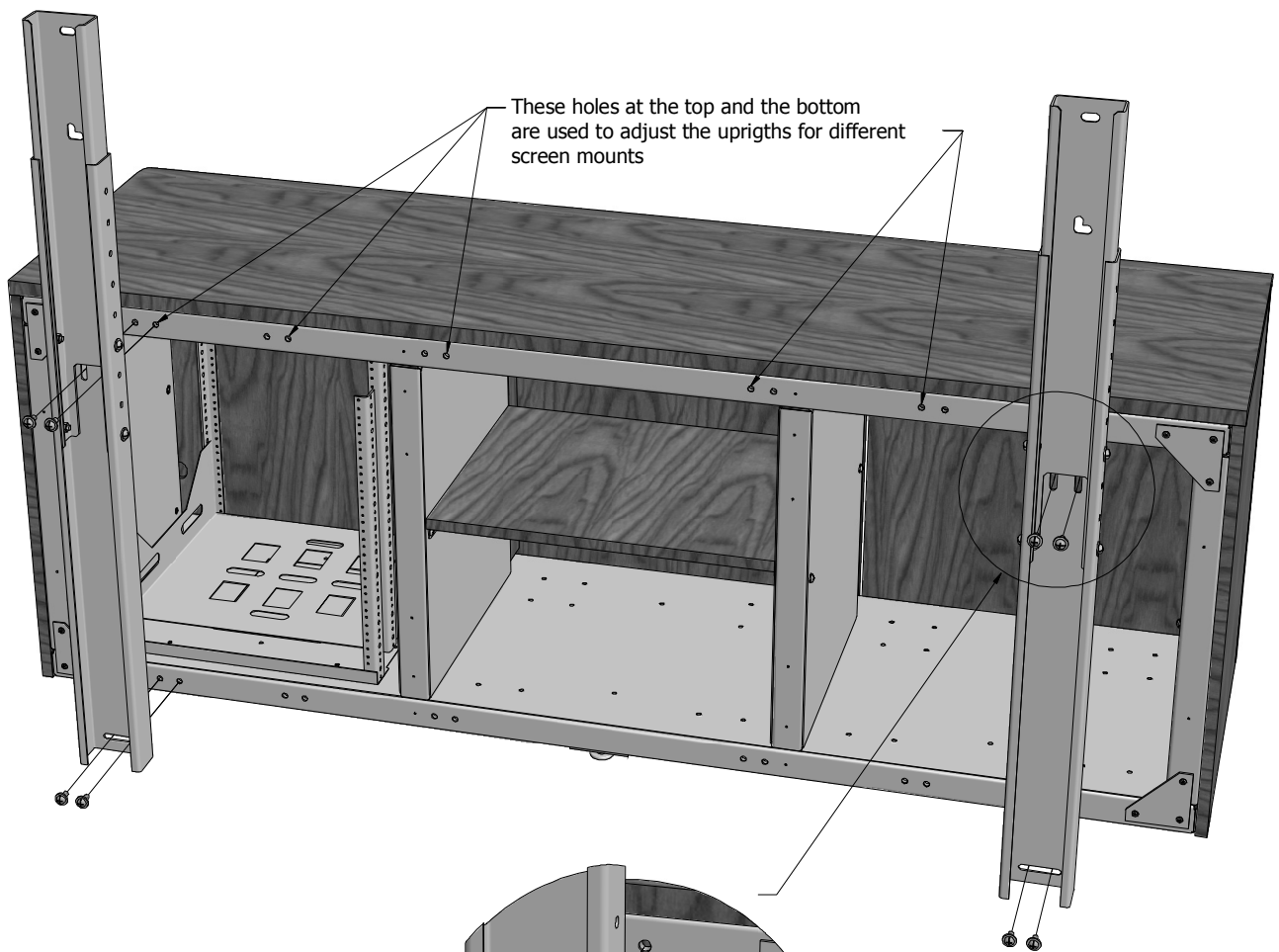
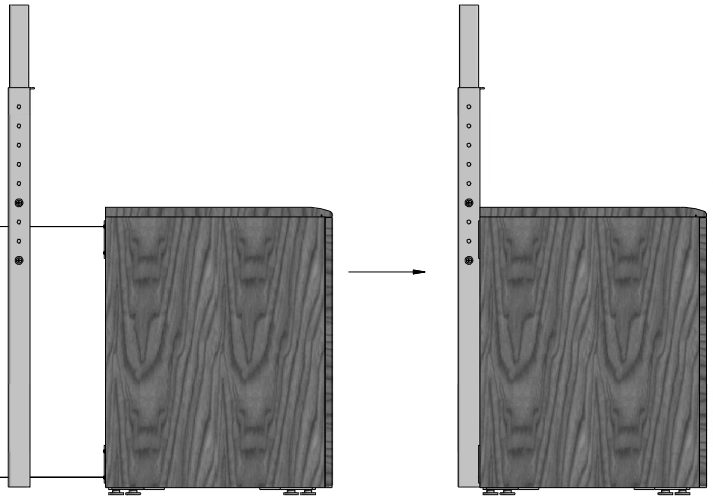
# AVTEQ

Assistance: [www.avteq.net](http://www.avteq.net)  
(214)905-9001  
1151 Empire Central Dallas, TX 75247  
PH(800) 285-8315 FAX(214) 905-9666

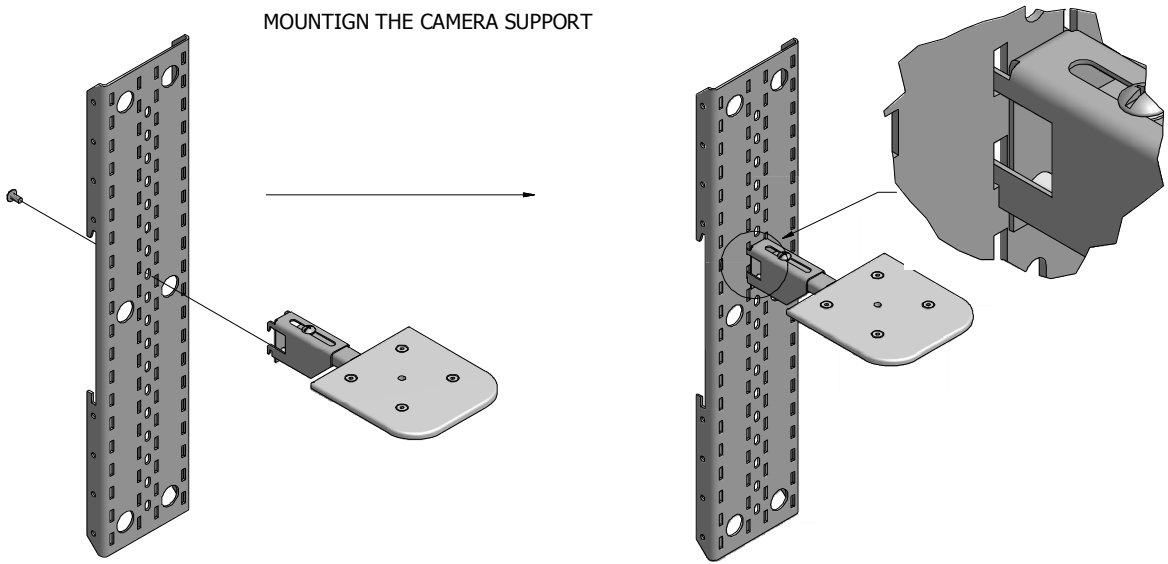
# UPRIGHTS ASSEMBLY



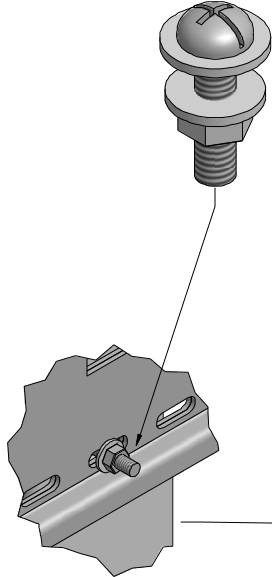
SCREW  $\frac{5}{16}$ "  $\times$   $\frac{3}{4}$ "  
+ WASHER ( $\times 16$ )



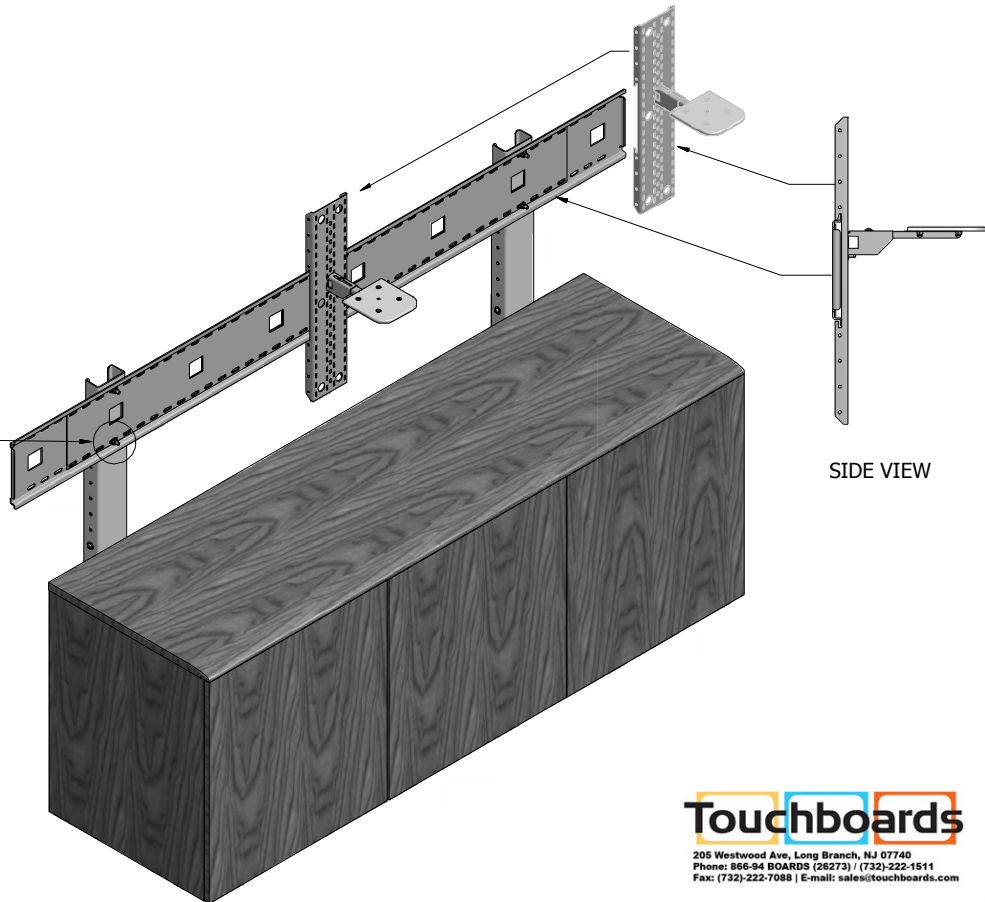
MOUNTIGN THE CAMERA SUPPORT



FOR WALL MOUNT USE  
SCREW  $\frac{5}{16}$ "  $\times$   $1 \frac{1}{4}$ " +  
2 WASHER + NUTS  
( $\times 4$ )



SLIDE THE CAMERA SUPPORT FROM ONE  
SIDE OF THE WALL MOUNT BEFORE  
PUTTING THE BRACKETS



SIDE VIEW