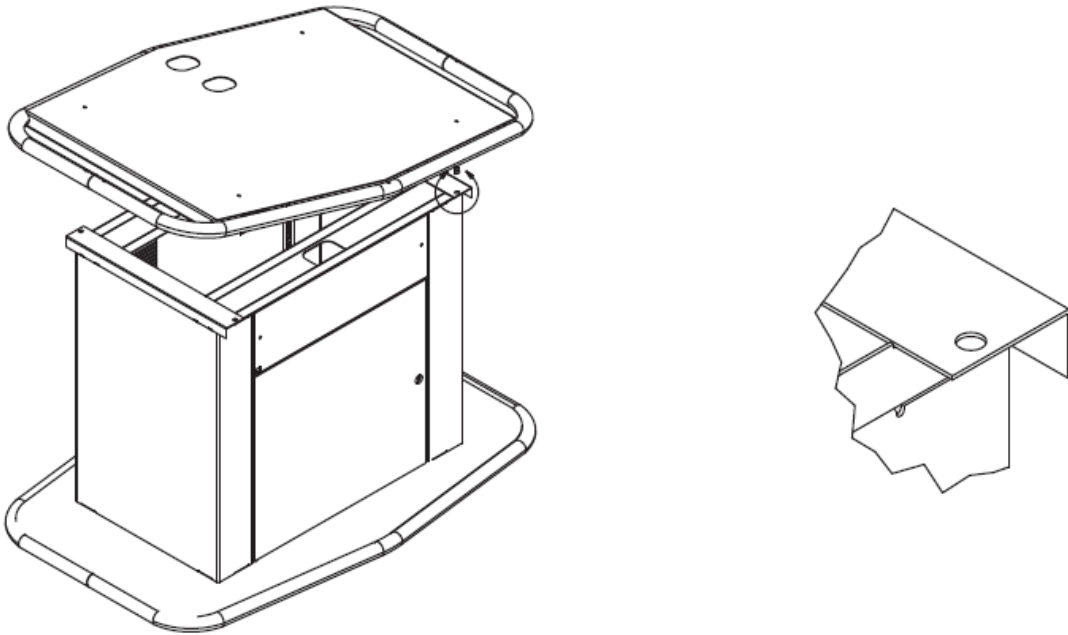
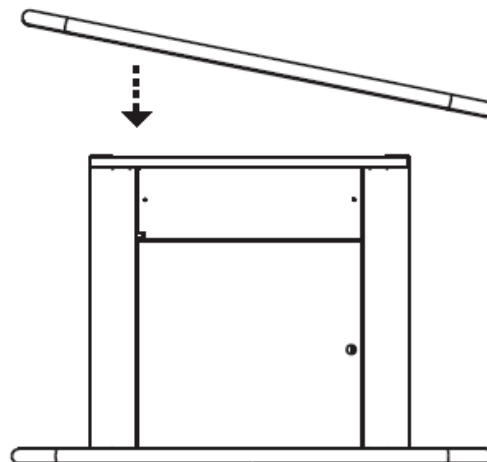


Metal S - M - L Top Installation

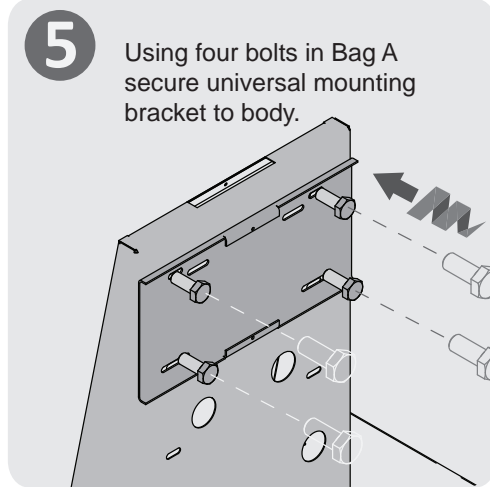
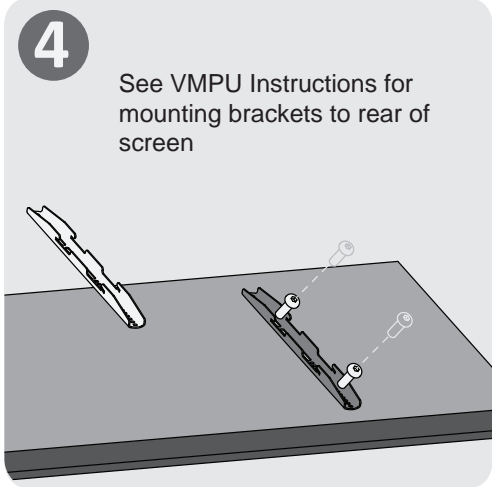
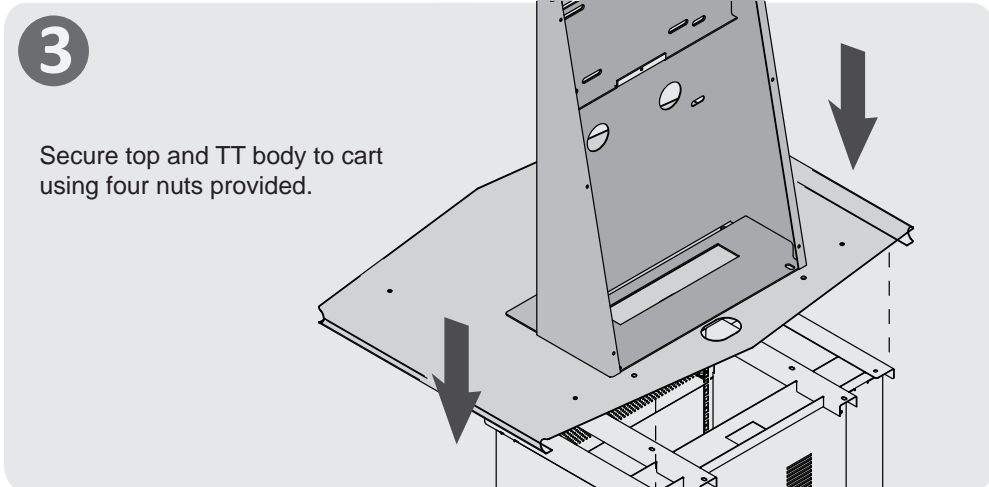
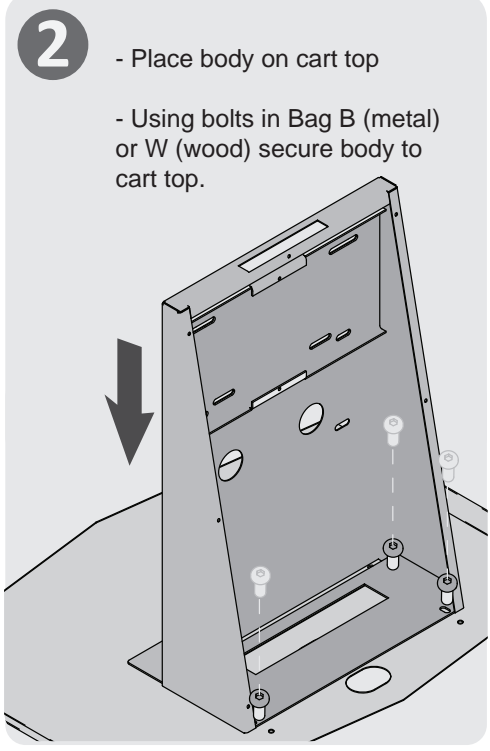
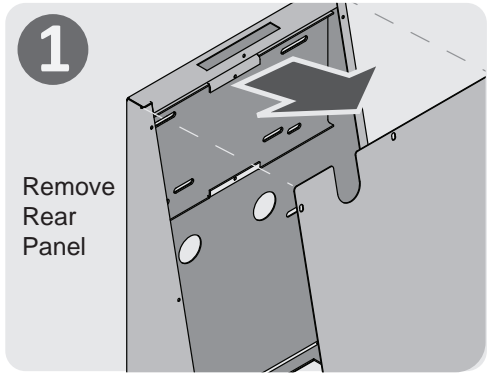
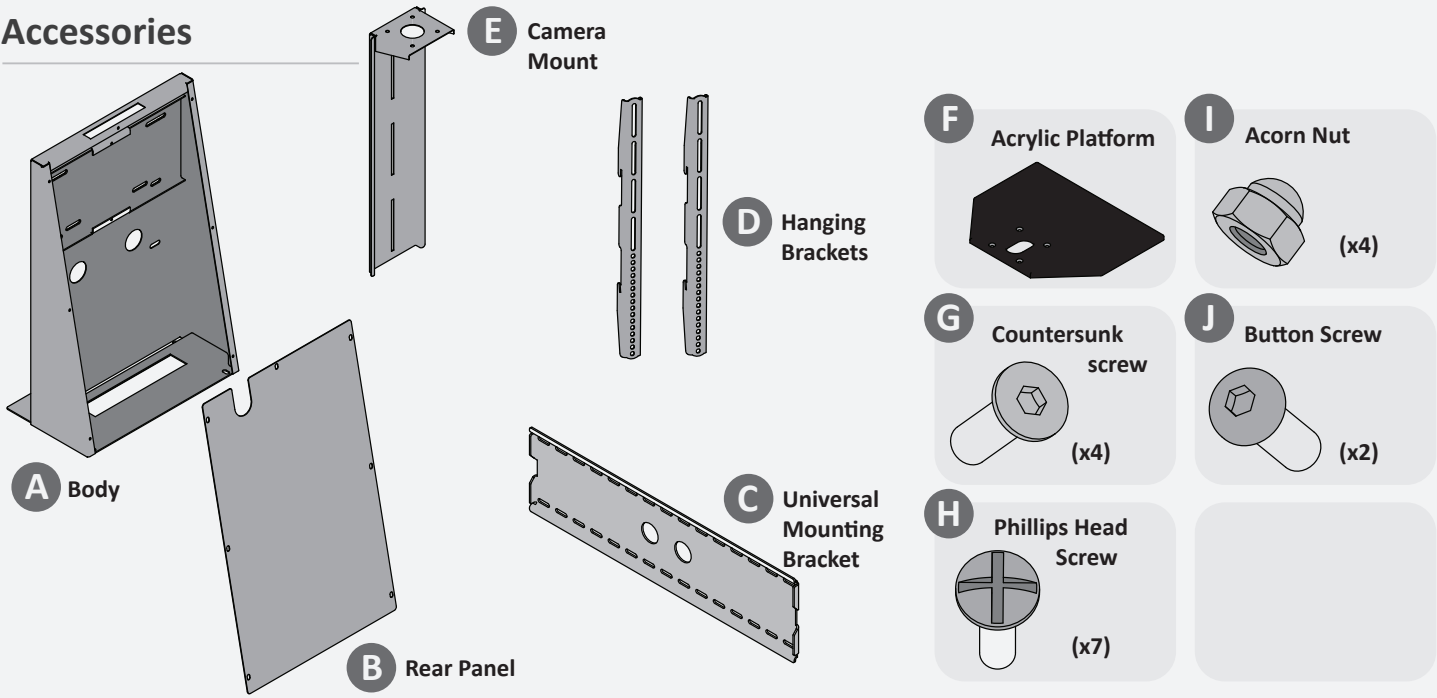


1. There are four bolts on the underside of the cart's top and four corresponding holes in the body of the cart.



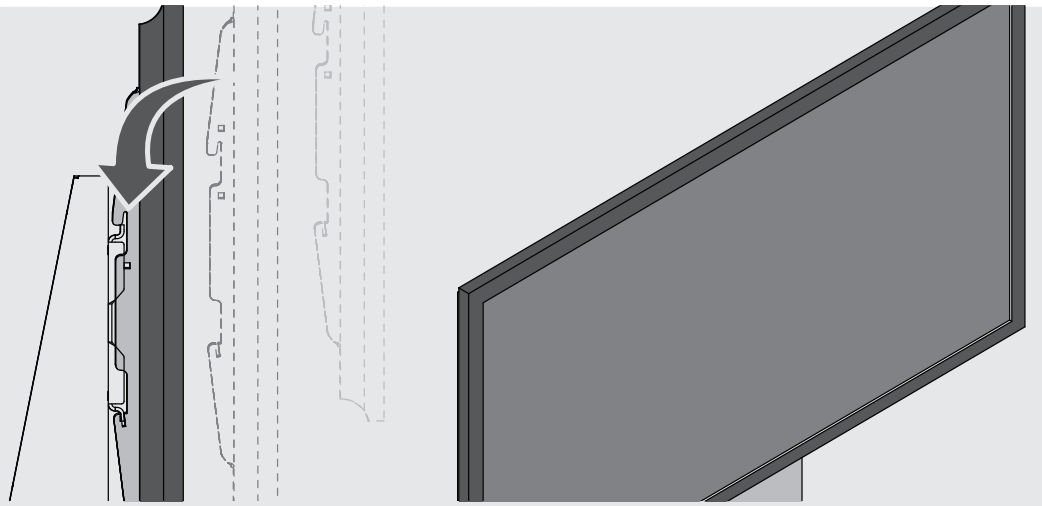
2. Using nuts provided, secure top to base of cart.

Accessories



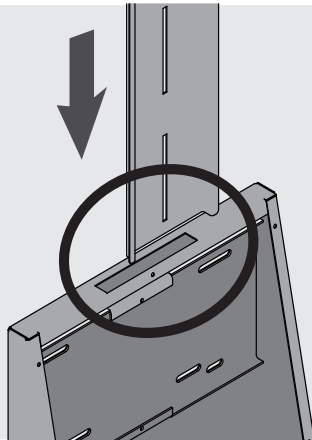
6

Hang flatscreen on universal mounting bracker



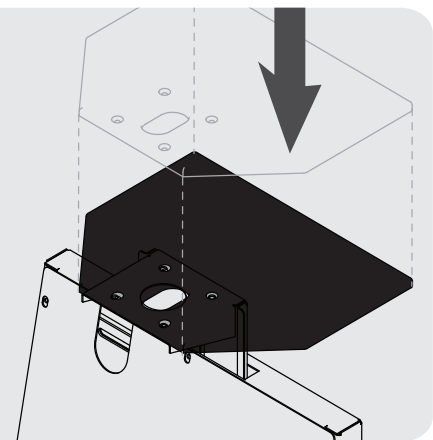
7

Slide camera bracket into slot on top of body.



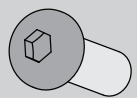
10

Place acrylic on camera bracket.

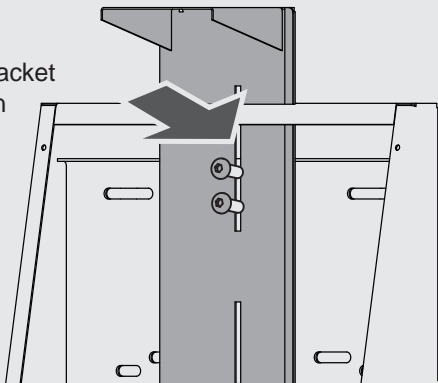


8

Secure camera bracket to body with button screws.

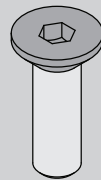


Button screws

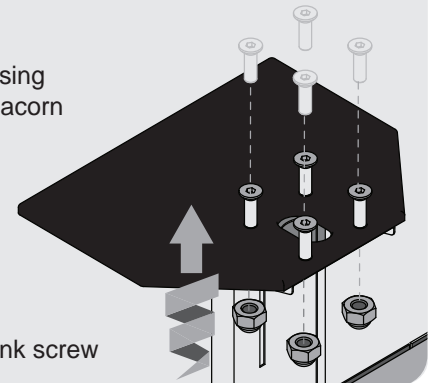


11

Secure acrylic platform using countersunk screws and acorn nuts.

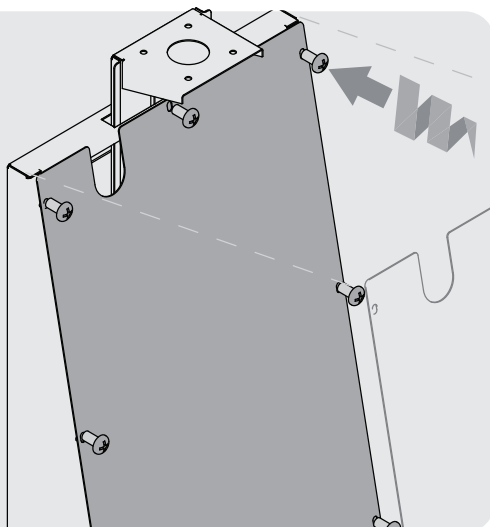


Countersunk screw



9

Secure rear panel with phillips screws provided



Touchboards

205 Westwood Ave, Long Branch, NJ 07740
 Phone: 866-94 BOARDS (26273) / (732)-222-1511
 Fax: (732)-222-7088 | E-mail: sales@touchboards.com